

Installation and maintenance manual for VHDE balcony doors

The doors are designed for use as external doors in buildings, installed so that they open outwards.

The doors cannot be stored in cold and damp rooms.

The products cannot be stacked on the ground or concrete, they can only be stacked on strong and proper dry pallets.

The products can be transported in vertical position and they must be protected from impacts and scratching.

The doors can be installed if the roof has already been placed over the building and the internal wet plastering work has been completed.

The door must be installed so that it is not exposed to direct water and sunlight.

The door must be protected by installing it in a wall niche or placing an awning over it.

The dark-coloured doors can become bent and change colour or fade if exposed to intense sunlight.

You are not allowed to alter the product dimensions and make incisions. If necessary, consult a representative of the manufacturer.

For the duration of repairs the door should be covered with construction cardboard or film to prevent it from sustaining damage from finishing work.

What is included

Door sheet with frame

Installed latch set

Handle

Usage and installation manual

Warranty terms and conditions

by AS Viljandi Aken ja Uks

covering doors and windows sold by the company.

What you will need

Level

Screwdriver

Hammer

Wedges

Screws (8 pcs, 5 x 70 mm)

Insulation material



Installation

1. Prior to installing the door, you must check that its dimensions suit the intended doorway aperture. When measuring the aperture size, ensure it is level and the corners are right-angled. The doorway aperture must be 10-50 mm larger than the outer measures of the door frame. Adjust the doorway aperture if necessary.
2. Make sure that the product quality is not compromised, the dimensions are correct and there are no defects.
3. For installation remove the door leaf from the frame.
4. (See Figure 1) Lift the frame into the aperture and fix it with wedges. Place the wedges near the fastening screws (pos. 1).
5. Use a spirit level to ensure that the frame is level (pos. 2) and the corners are right-angled (pos. 3). Make adjustments with the wedges if necessary.
6. Screw the vertical frame side with the hinges tightly into the wall (pos. 4).
7. Install the door leaf and use it to make sure that the opposite frame side is straight (pos. 5). Ensure that the passage gap between the door leaf and the frame is equal along the door perimeter. Adjust if necessary:

Side adjustment: See Figure 2 (1) Loosen the three marked screws. NOTE not more than three turns. (Torx25). (2) To adjust the door leaf/sash towards the lock side, screw the two socket head screws clockwise (socket head 3mm). To adjust the door leaf/sash towards the hinge side, screw the two socket head screws counter clockwise. (3) Tighten the three marked screws again. Test the function. If necessary, repeat step 1-3 again.

Height adjustment up: Lift the door leaf or sash a few mm to release the weight from the hinge pins. Adjust with the screw (torx 15) in the bottom of the frame leaf clockwise on all hinges. Lower the door leaf. Test the function. If necessary, repeat steps again.

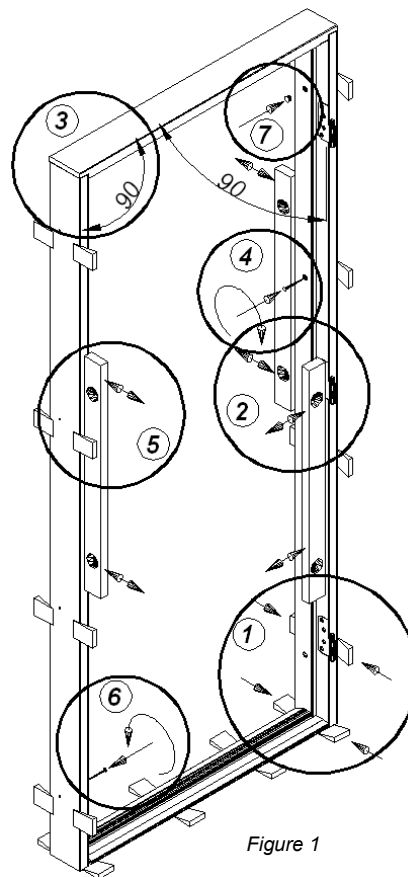


Figure 1

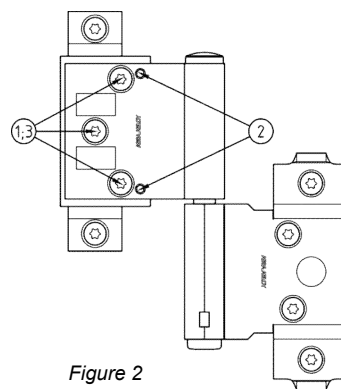


Figure 2

Height adjustment down: Adjust with the screw (torx 15) in the bottom of the frame leaf counter clockwise on all hinges. The door leaf should sink. Test the function. If necessary, repeat step again.

8. When the frame position is correct, the door is opened and closed without any problems. You can then screw the opposite frame side to the wall tightly as well (pos. 6).
9. Insert the plastic plugs into the installation apertures (pos. 7).
10. Fill the gap between the wall and the door frame with an insulation material (mineral wool, glass wool, sealing foam).
11. When using sealing foam, follow the manufacturer's instructions. Support the frame if necessary, to prevent the sealing foam from deforming it. When installing the supports, make sure that their ends do not damage the surface finish of the frame. Use corrugated cardboard or another padding material.
12. Cover the filled in gap with a reglet or elaborate the door cheek until the frame.
13. Install the necessary additional furnishings: handles, lock covers and so on.

Usage

To open the door, turn the handle so, that it is horizontal (A2). To fix the door in the opened position turn the handle down as when you close it (A1).

Do not leave the door in the opened position when the wind is strong.

Maintenance

The doors need regular maintenance: once per year as a minimum. Check how the lock, the hinges and the handles are attached and functioning. If necessary, tighten the screws or replace the depreciated or damaged parts. Clean and lubricate the lock and the hinges.

At least once per year, preferably just before the winter sets in, you must clean and lubricate the gaskets with silicone oil to prevent them from freezing together and disintegrating.

Clean the doors using water and a soft cloth. If the doors have become very dirty, you can add a detergent to the water (for instance: a detergent for washing the dishes).

You cannot perform cleaning using solvents and abrasive detergents.

Clean the glass surfaces using a specially designed detergent. Check the label of the detergent to make sure that it will not damage painted timber.