

Richards-Wilcox

RICHARDS-WILCOX PROTÉGÉ FP-EU SERIES

Richards-Wilcox Sèrie Protégé FP-EU

Richards-Wilcox Protégé FP-EU-Reihe

Serie de Puertas Richards-Wilcox Protégé FP-EU

Richards-Wilcox Protégé FP-EU - Sarja

INSTALLATION INSTRUCTIONS

**Instructions d' installation
Montage-Anleitung
Instrucciones de Instalacion
Asennusohjeet**

NORMAL HEADROOM

**Ferrure normale
Normalsturz
Dintel Normal
Vakionosto**

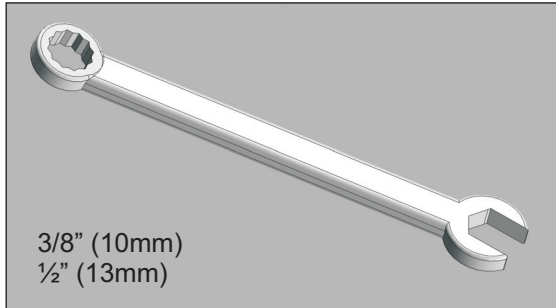
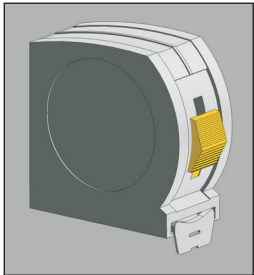
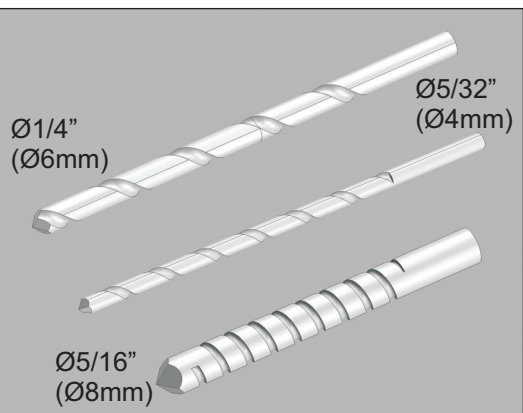
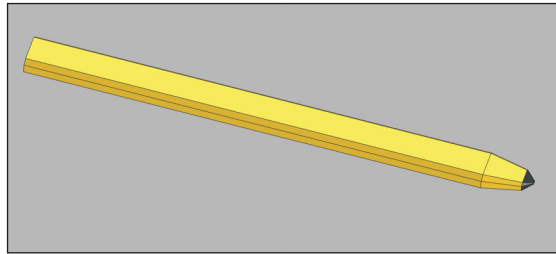
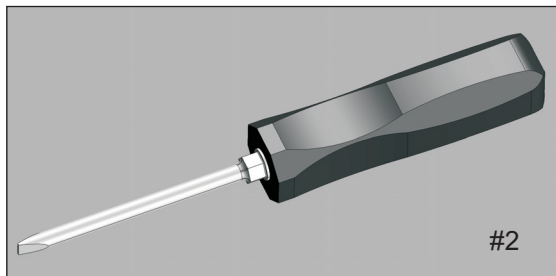
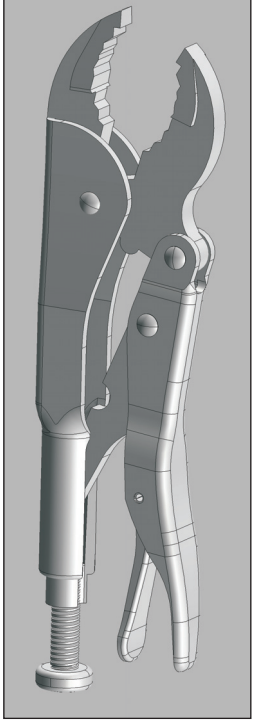
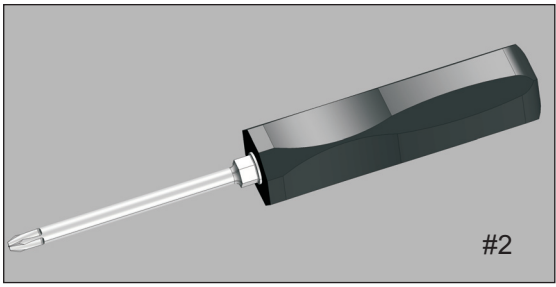
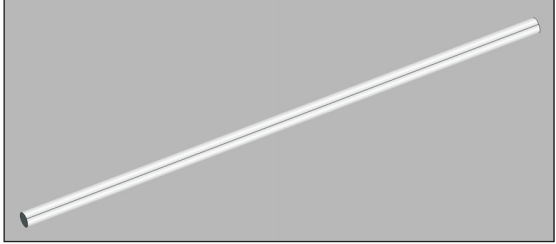
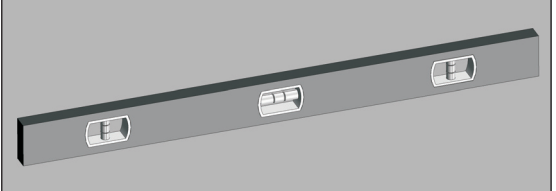
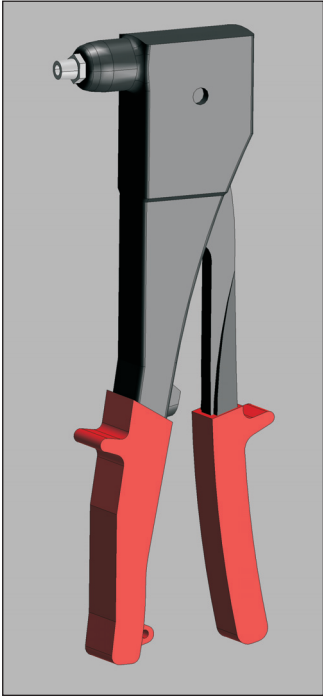
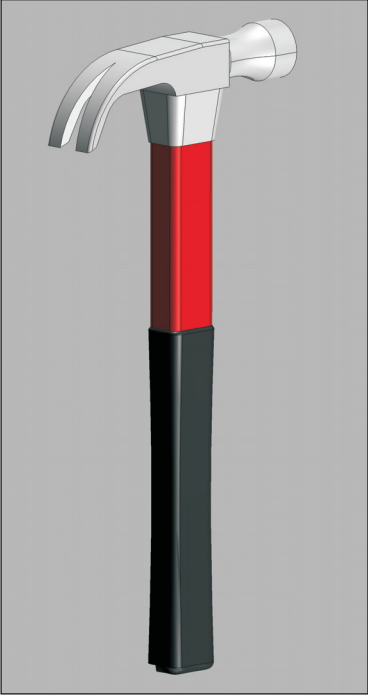
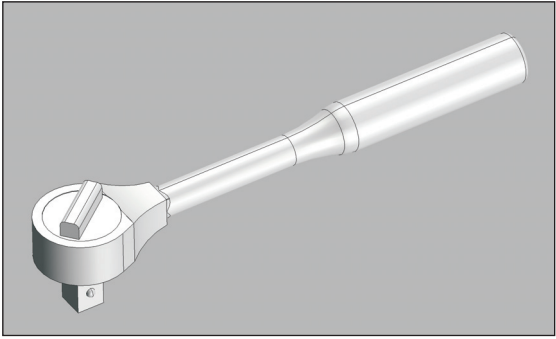
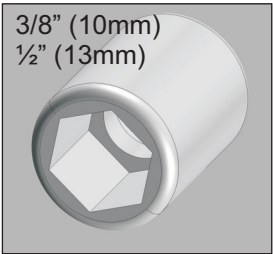
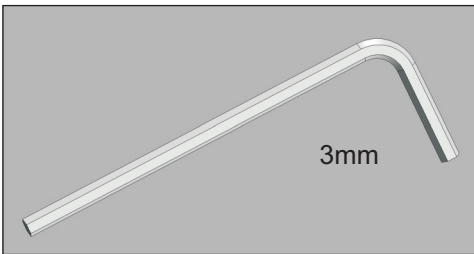
CARE & MAINTENANCE INSTRUCTIONS

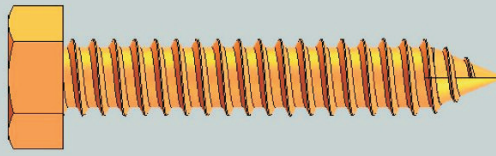
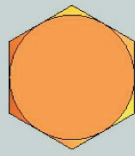
**Instructions d'entretien
Pflege- & Wartungsanweisungen
Instrucciones de Cuidado y Mantenimiento
Hoito - Ja huolto-ohjeet**

RESIDENTIAL GARAGE DOOR WARRANTIES

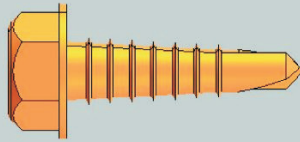
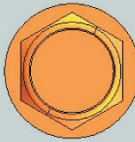
**Garanties Portes de Garage Residentielles
Garagentor-Beschränkte Haftungen
Garantia Para Puertas Residenciales
Autotallin Oven Takuuehdot**



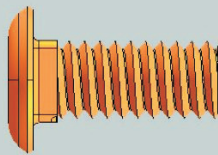
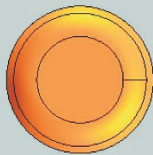




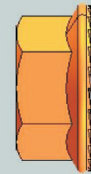
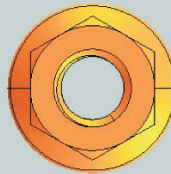
A



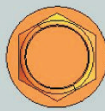
B



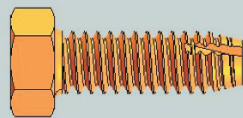
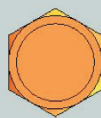
C



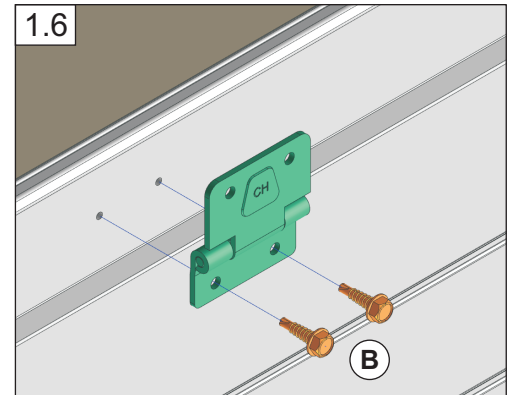
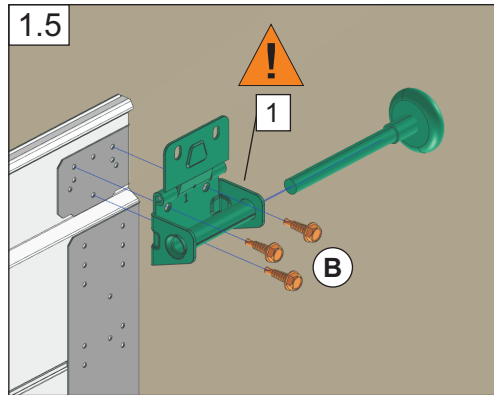
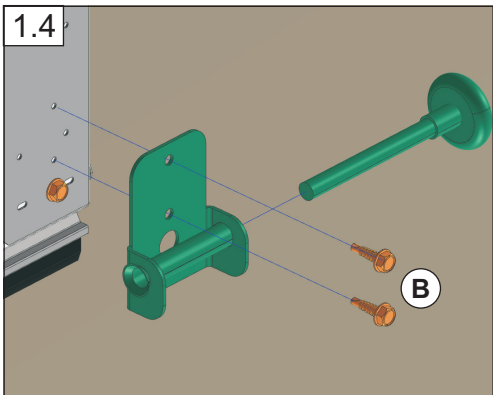
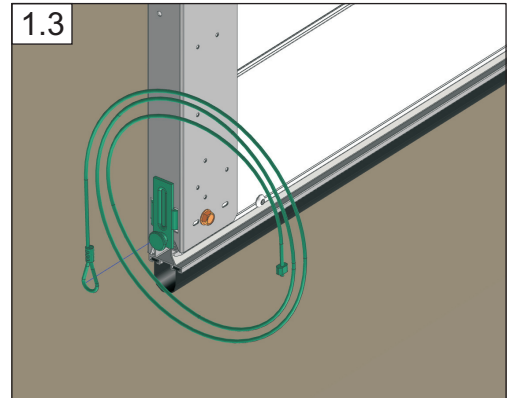
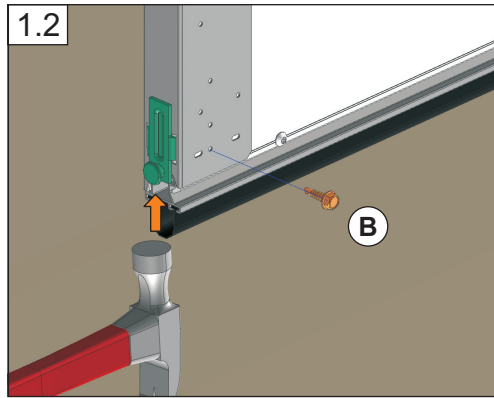
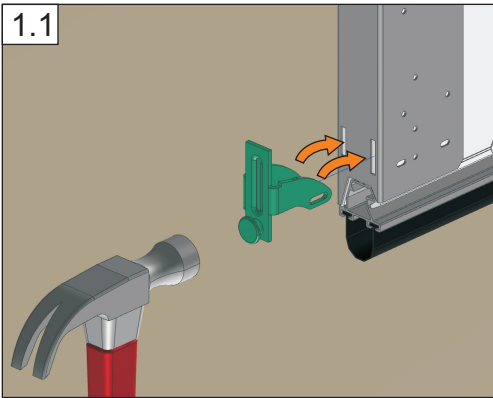
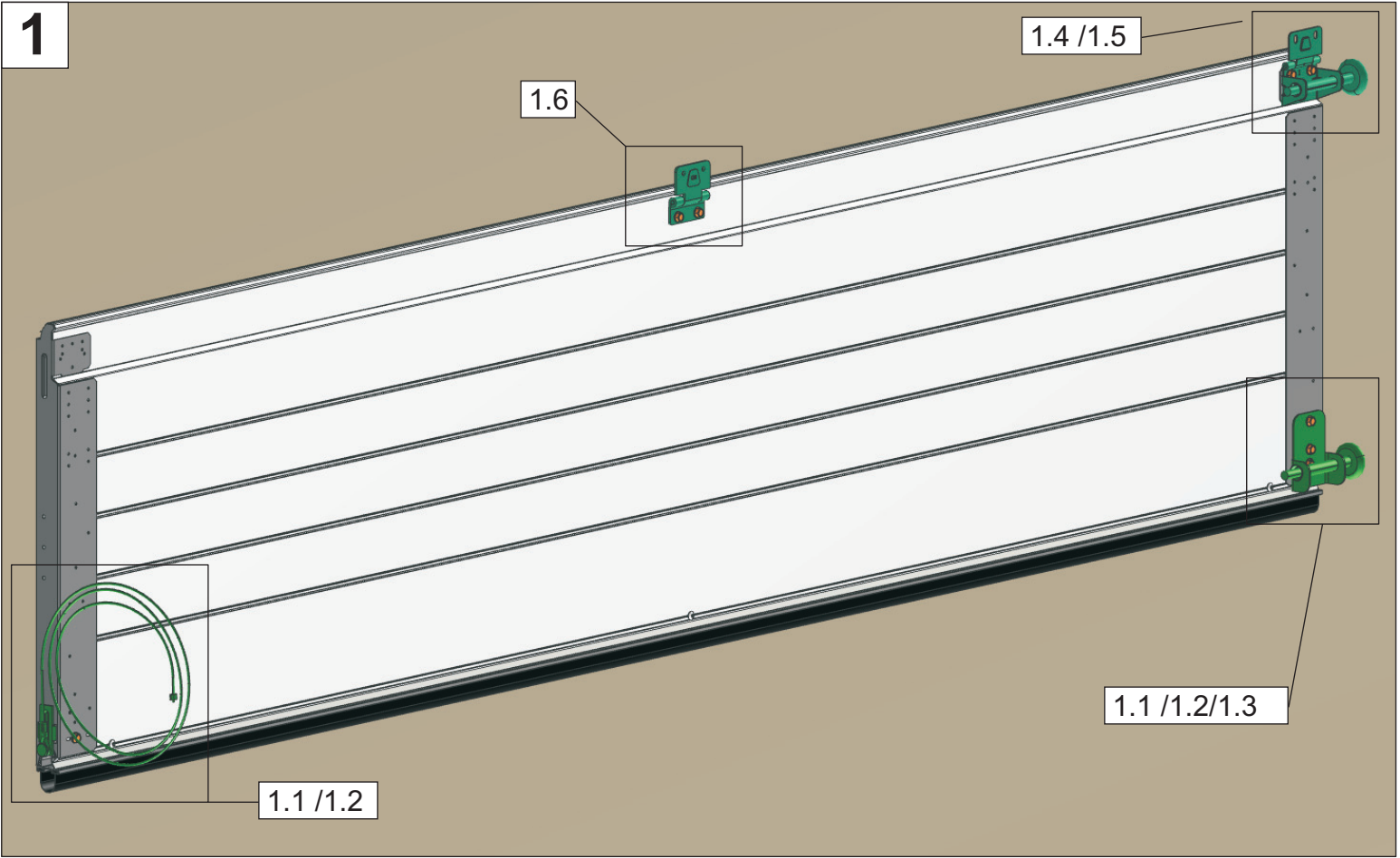
D

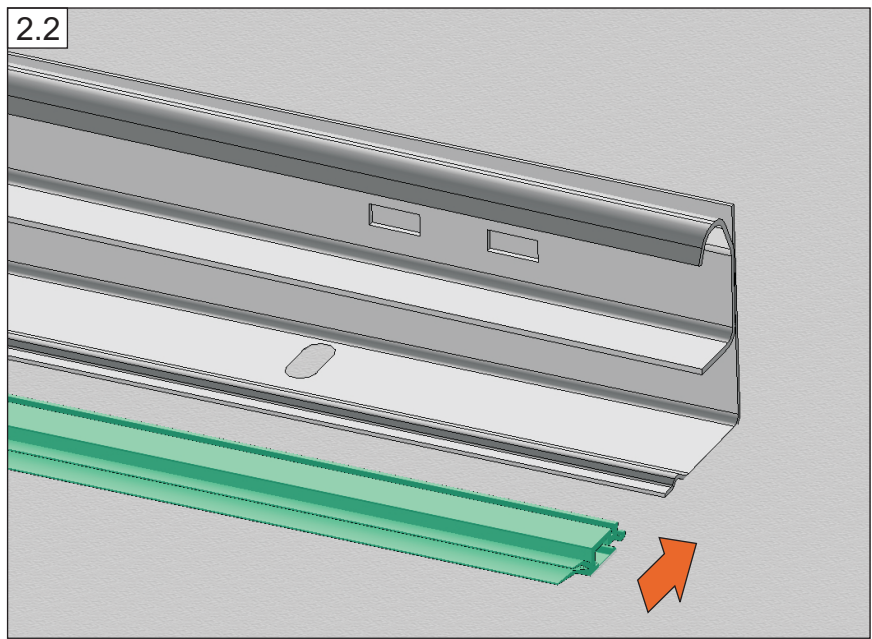
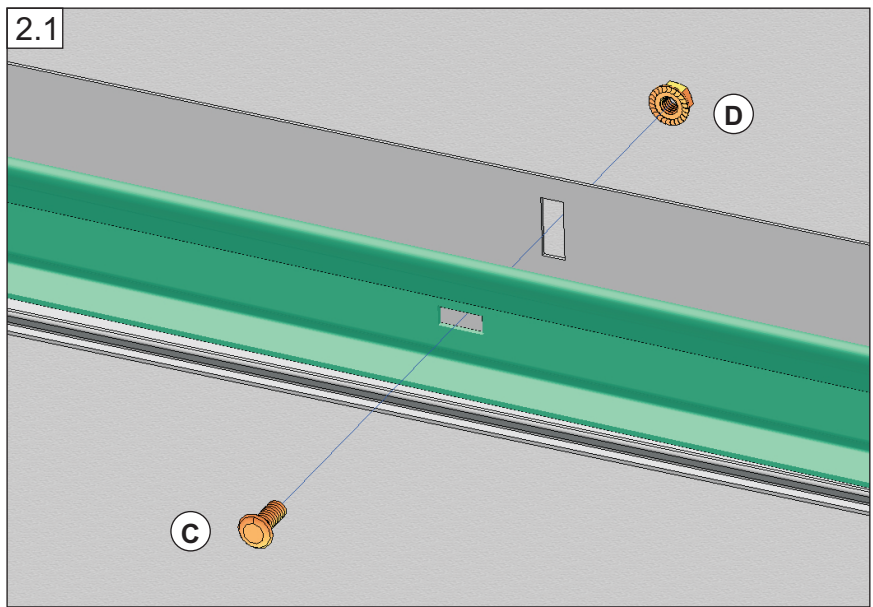
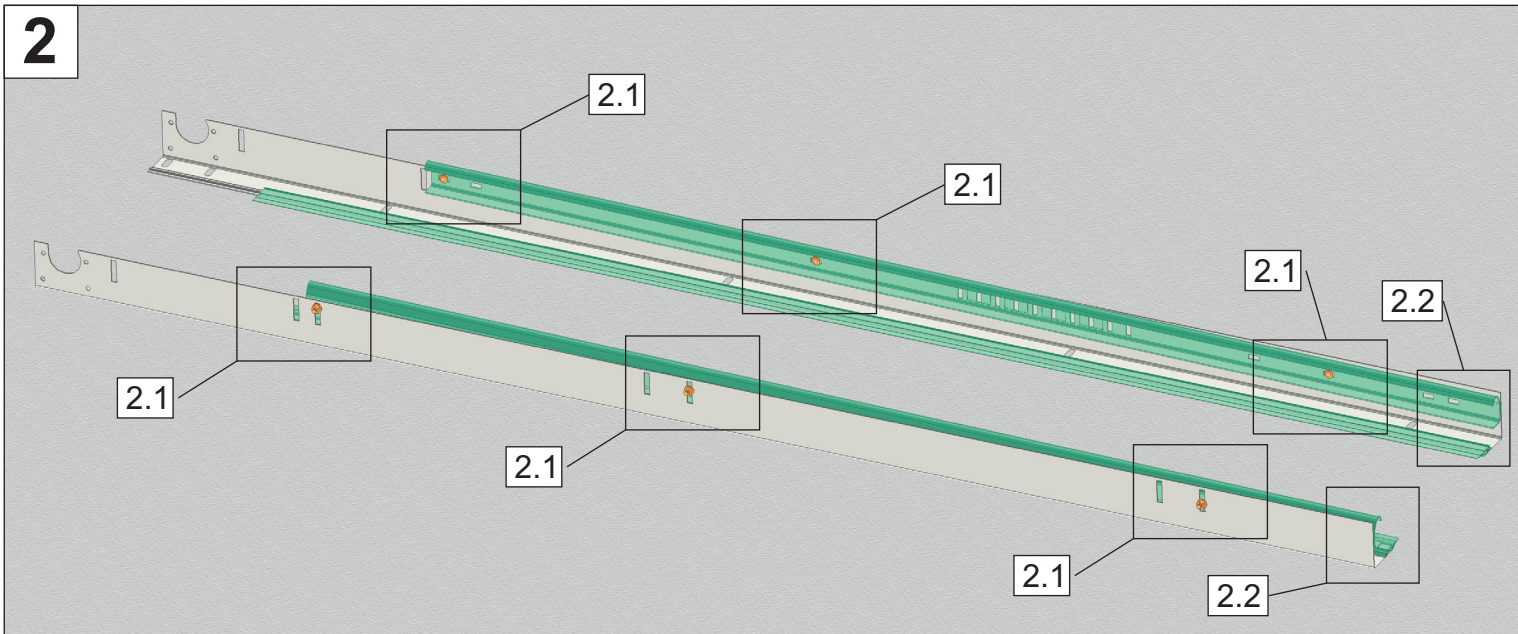


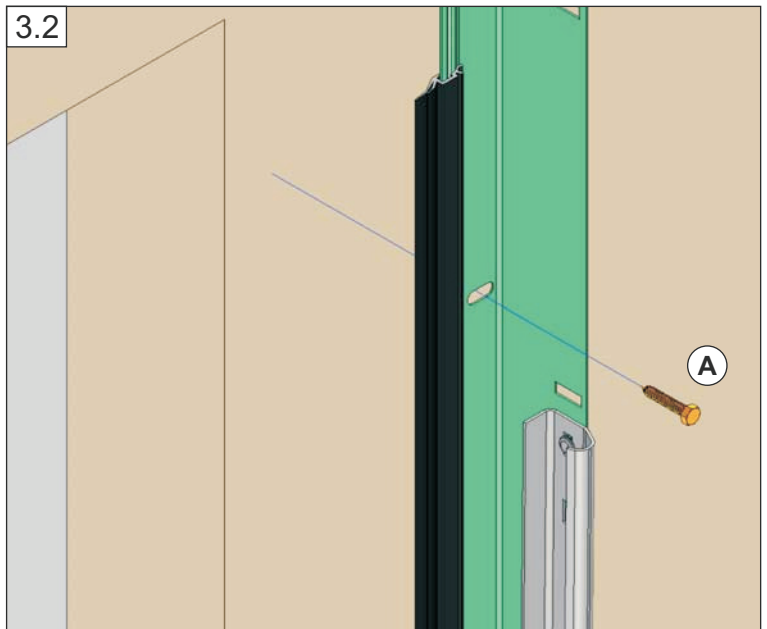
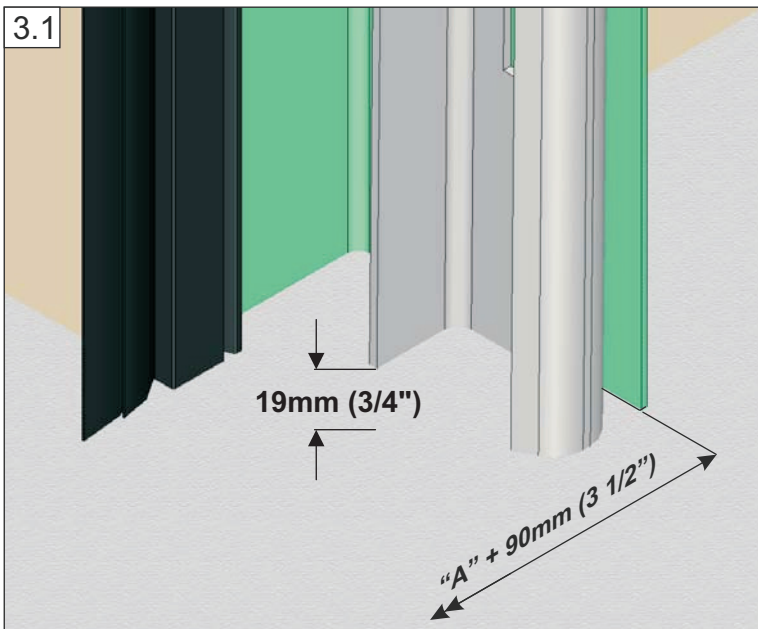
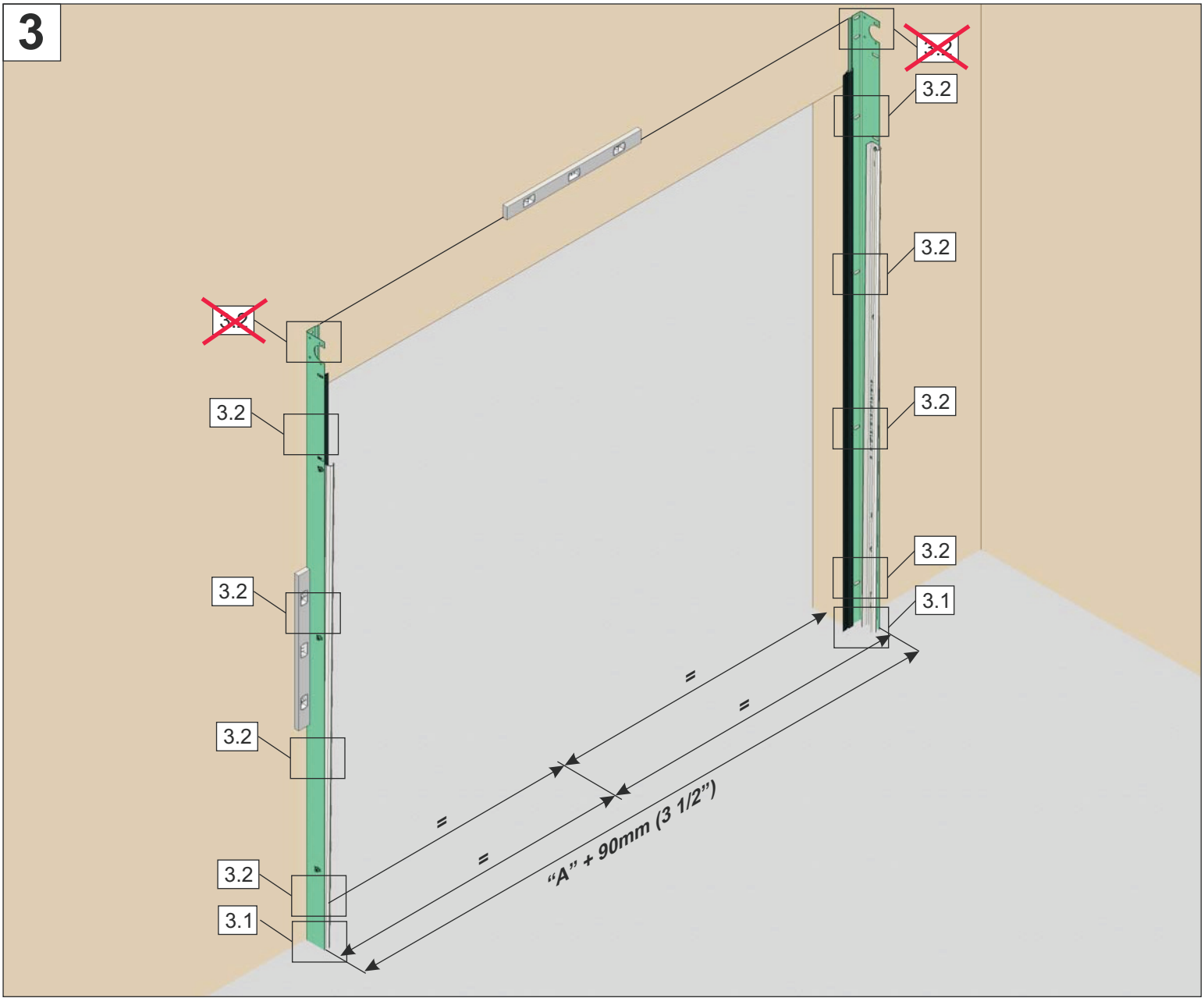
K



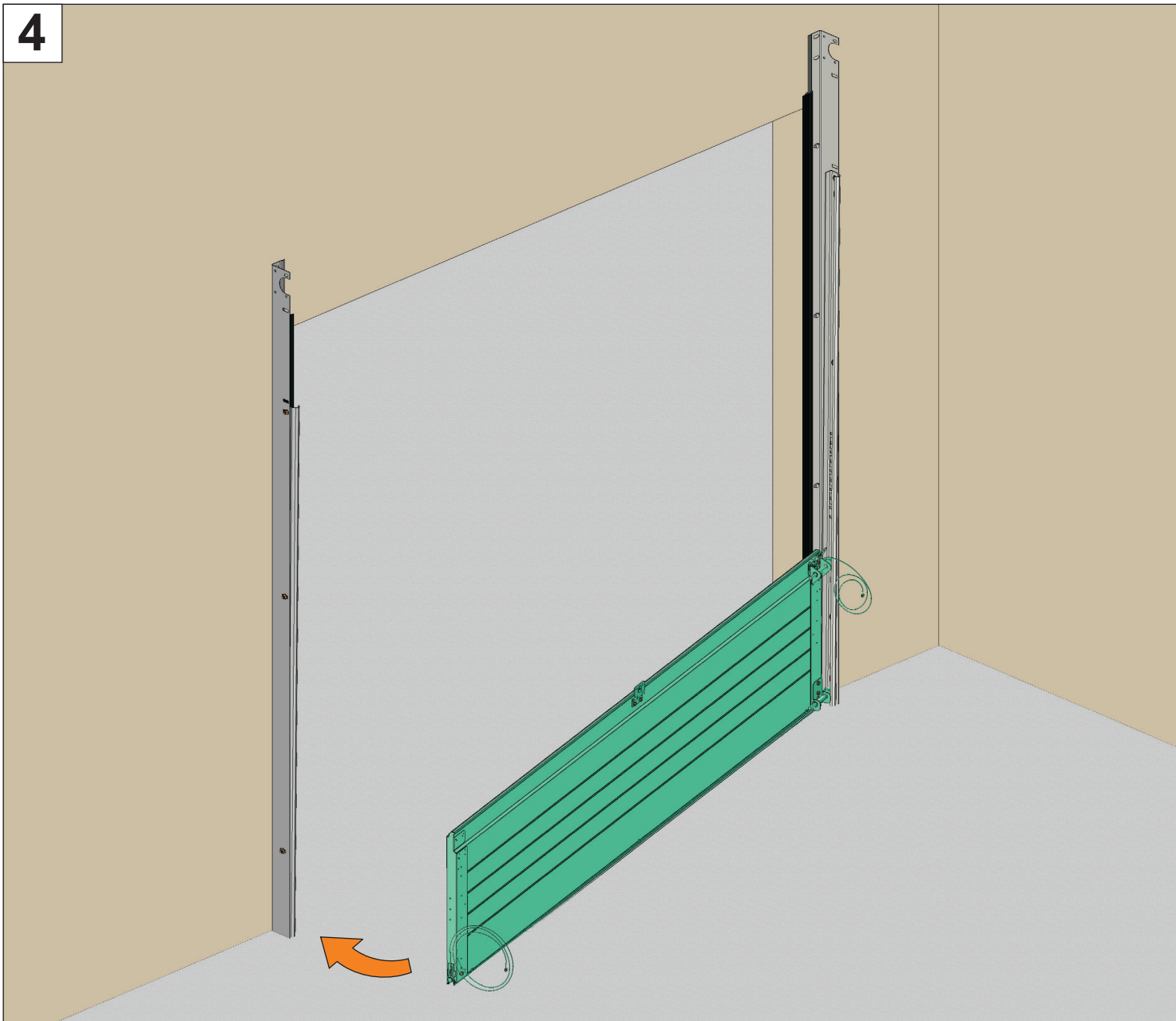
I



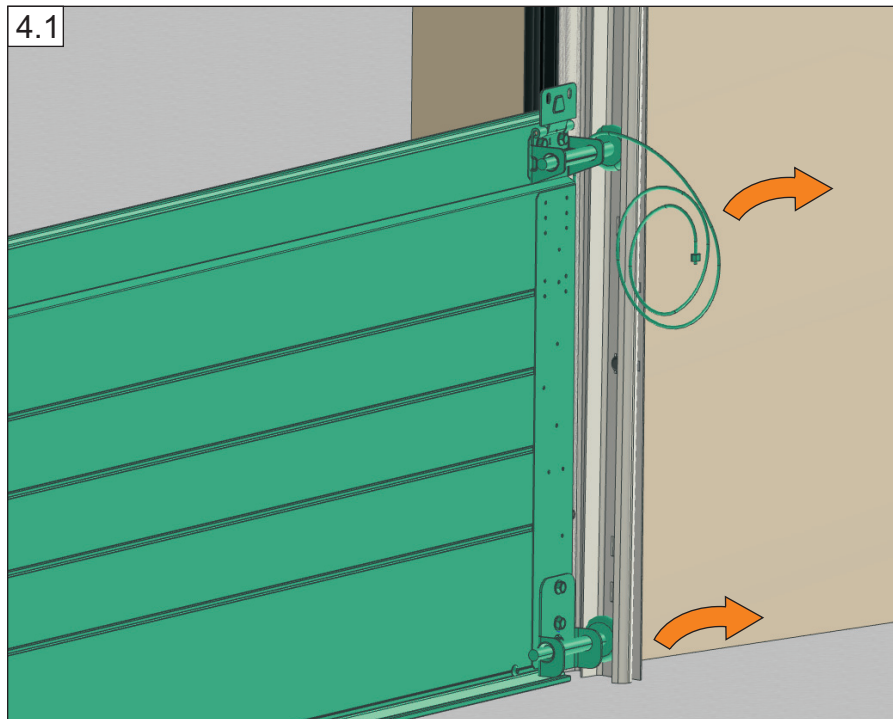




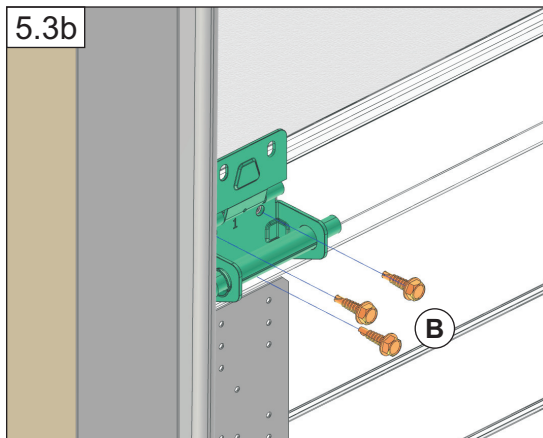
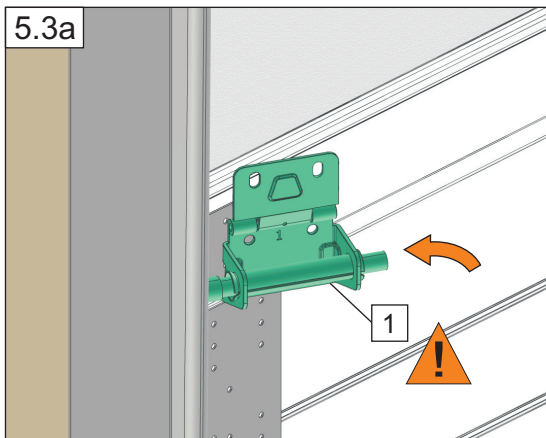
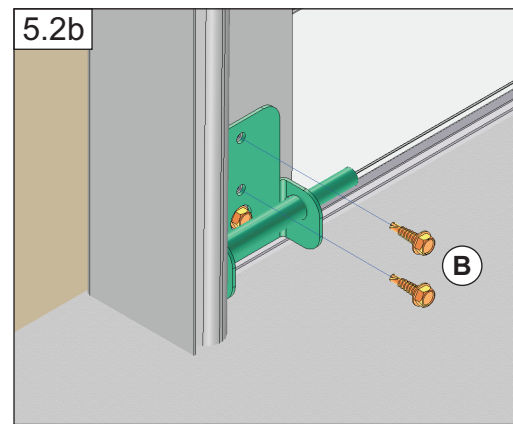
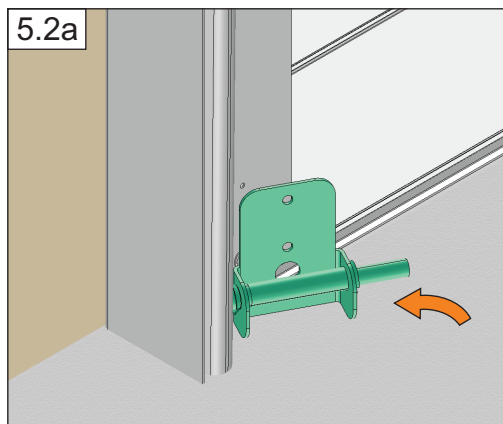
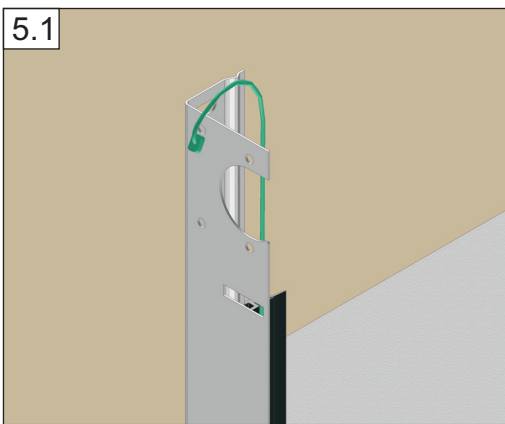
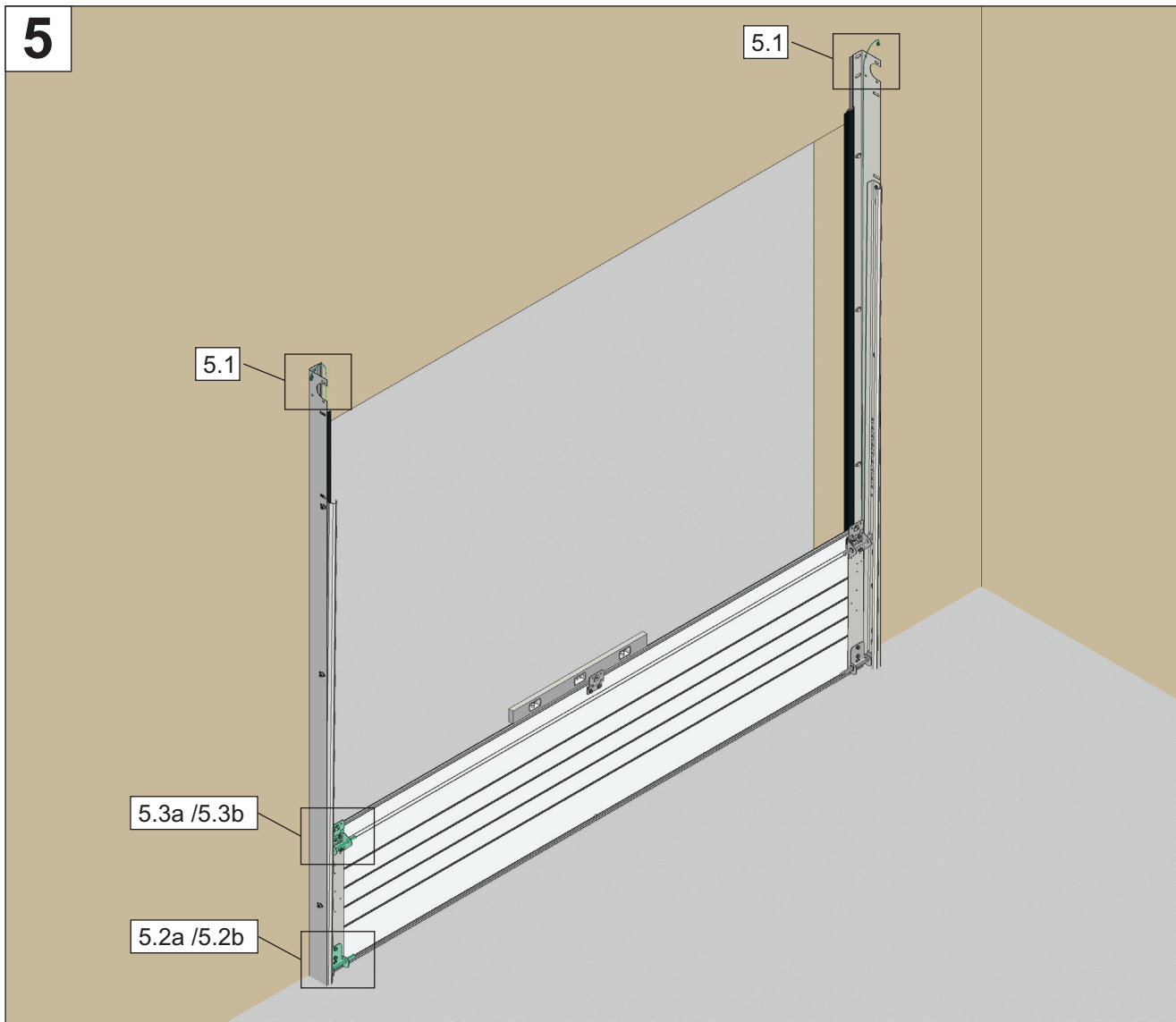
4



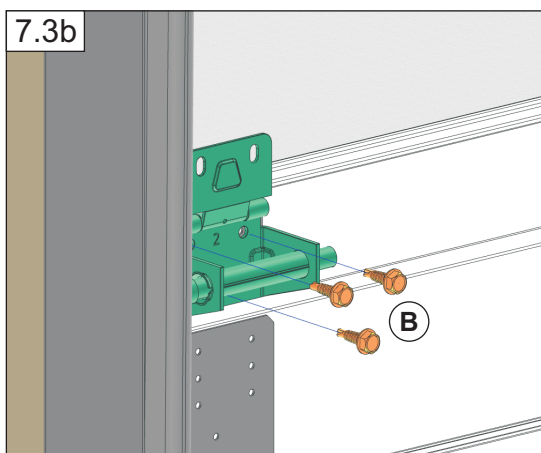
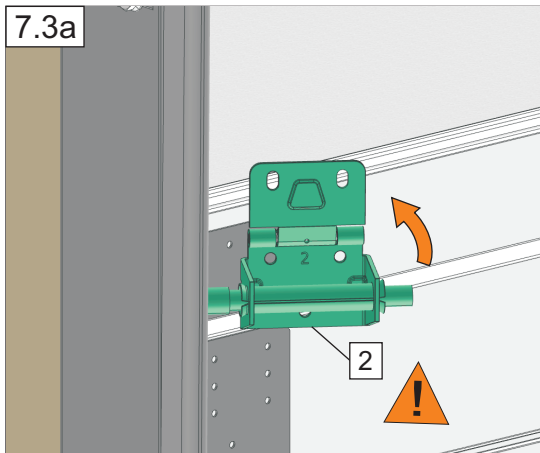
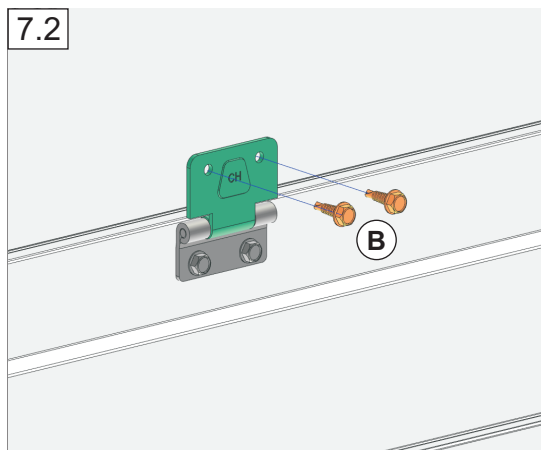
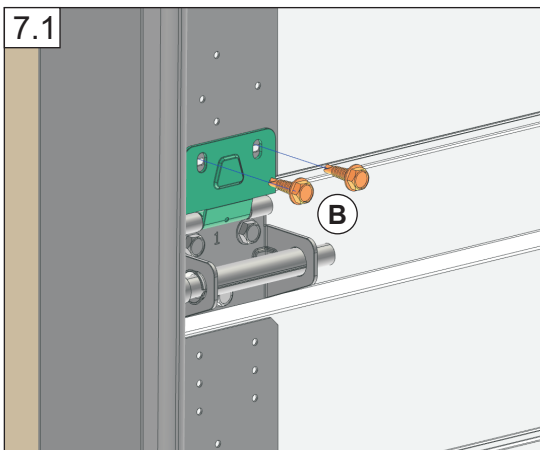
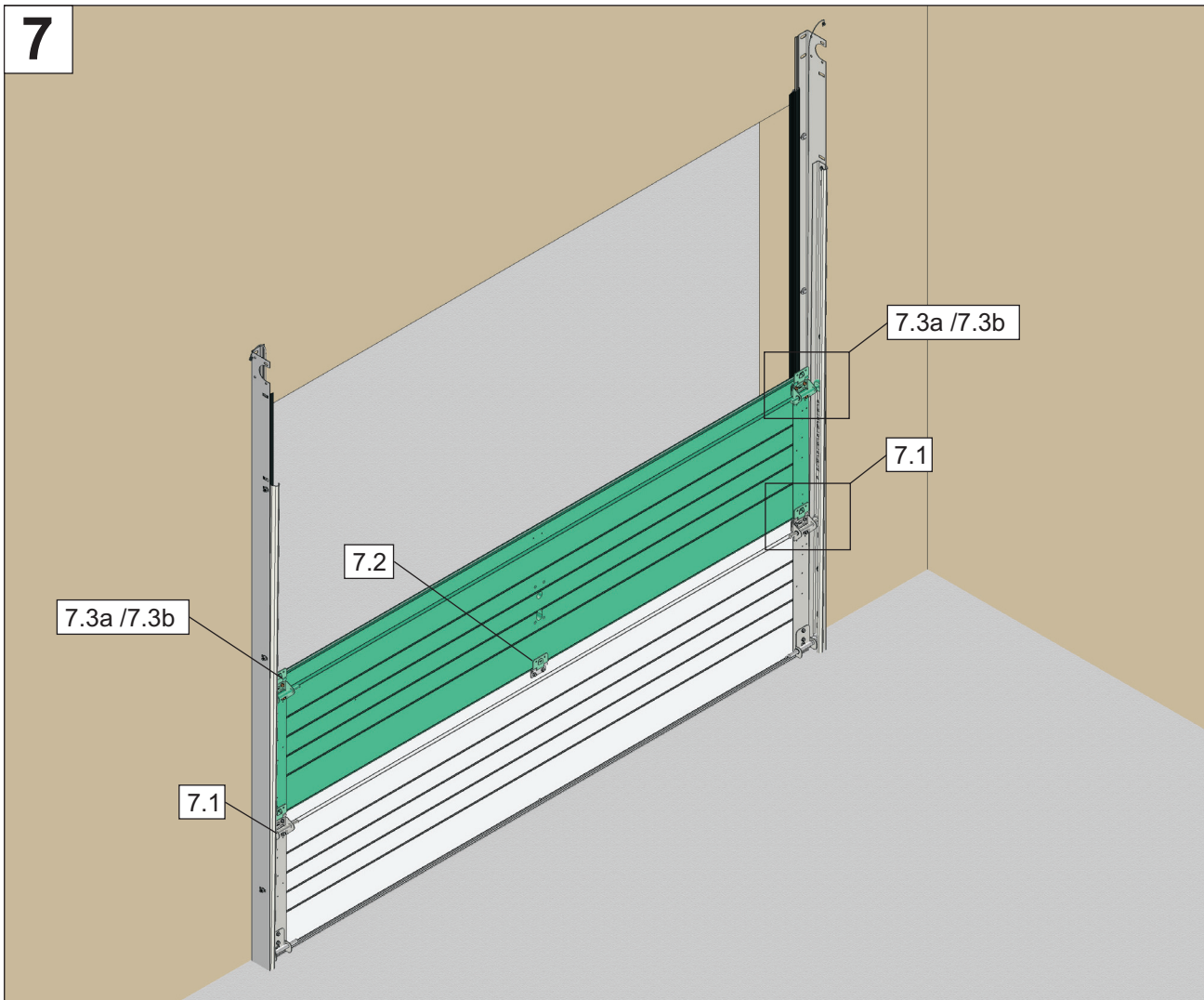
4.1



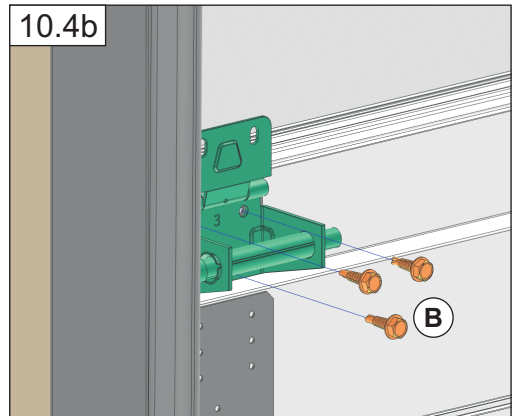
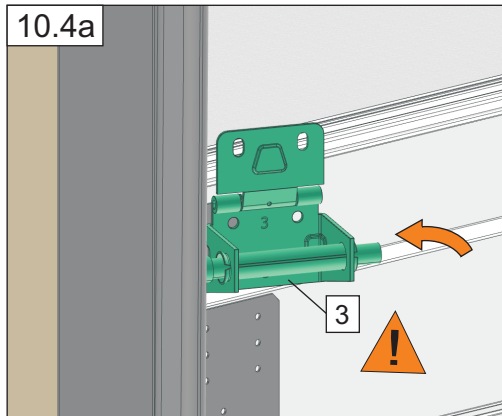
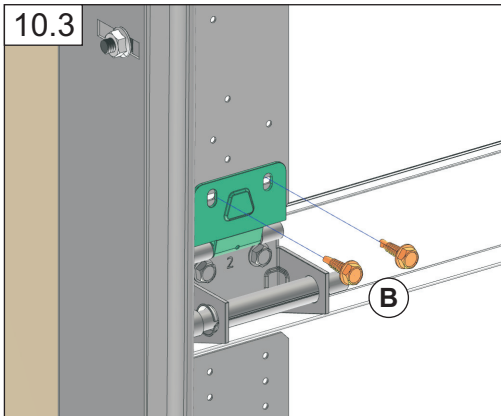
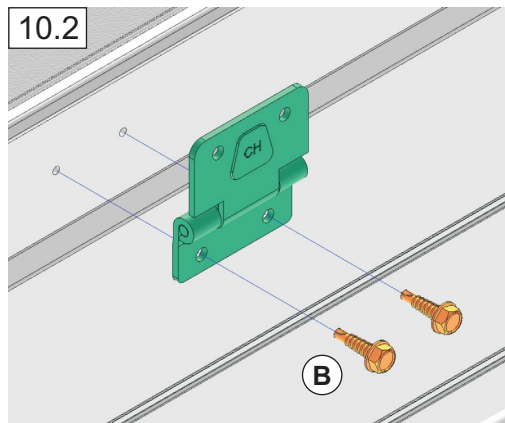
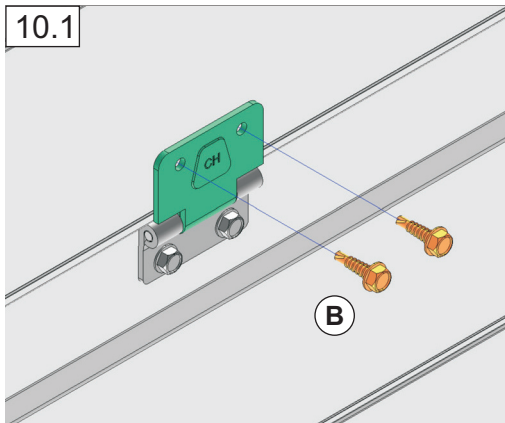
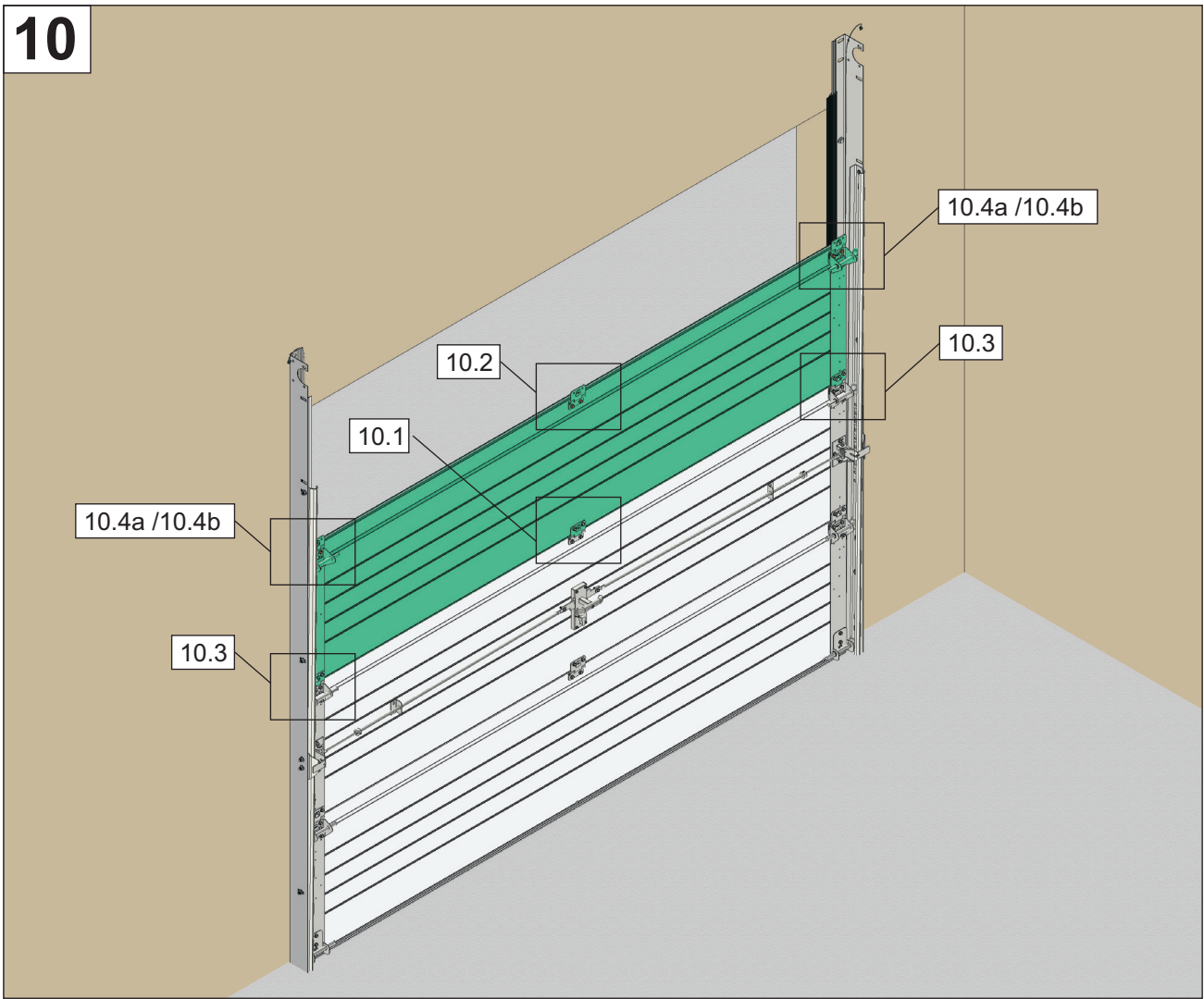
5



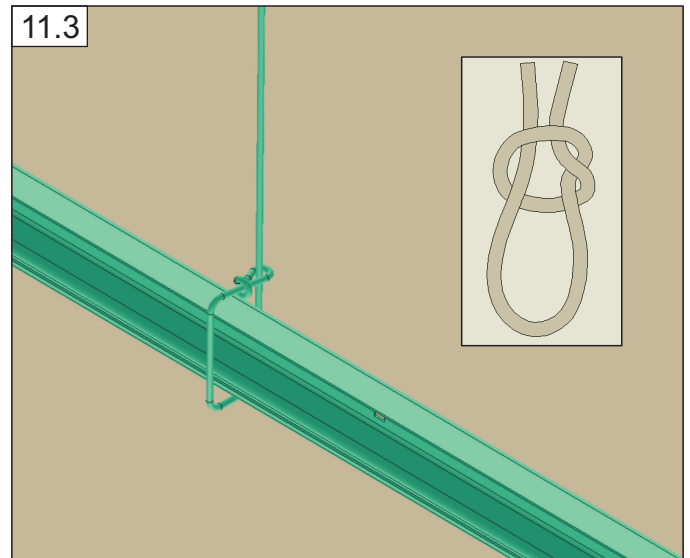
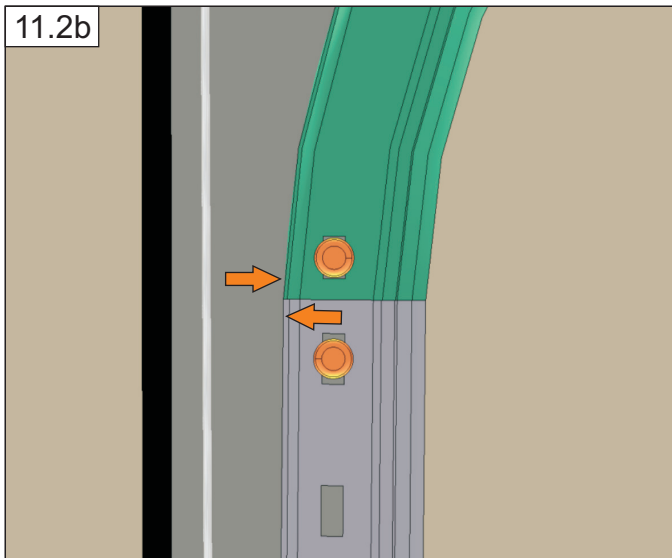
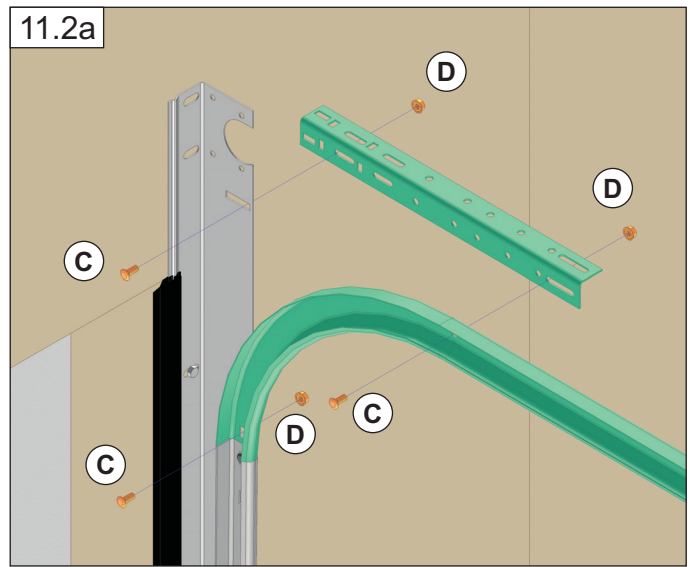
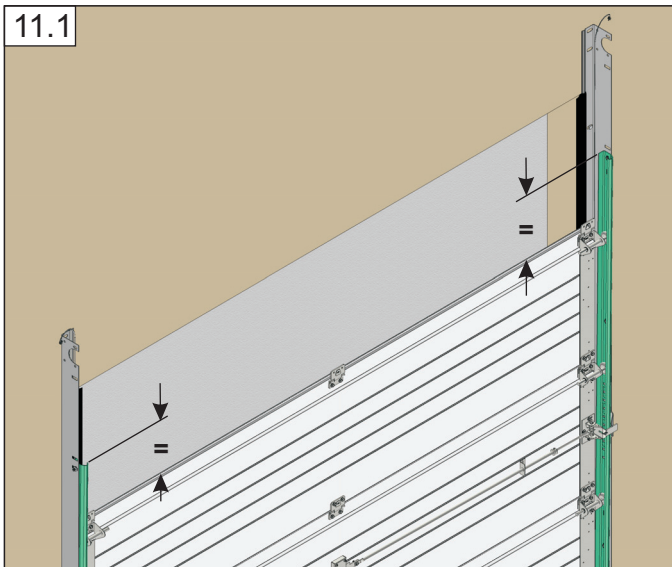
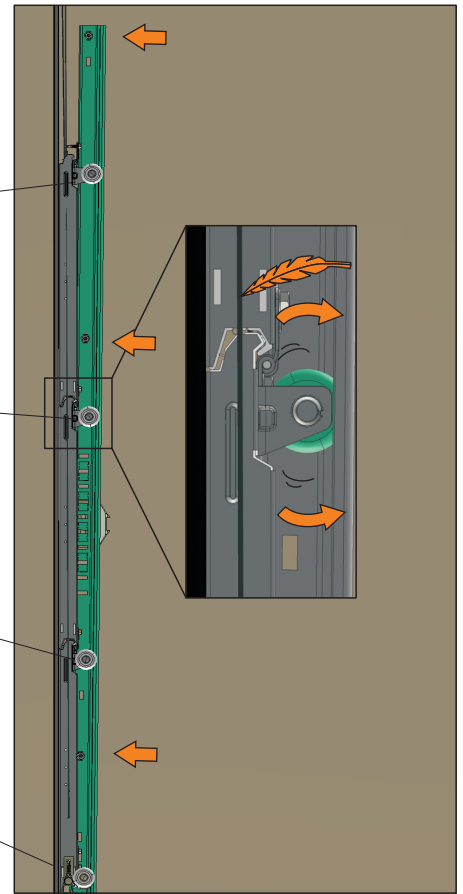
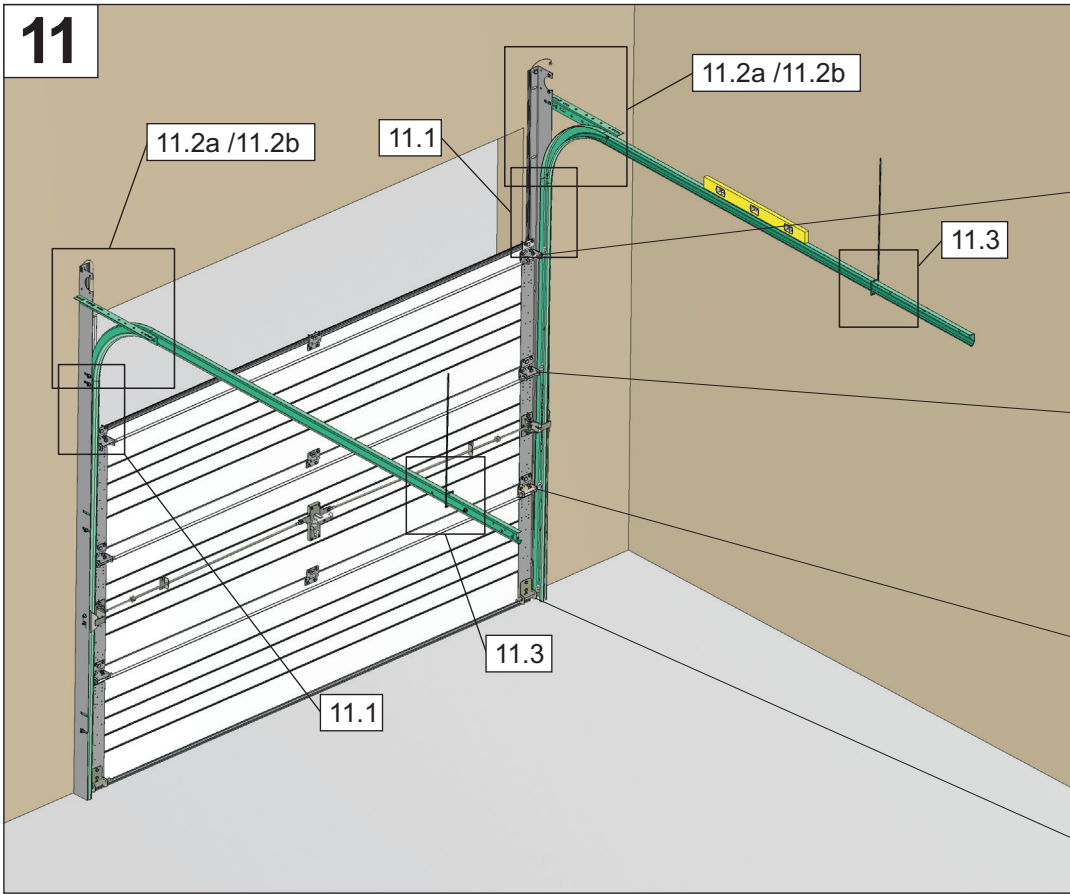
7



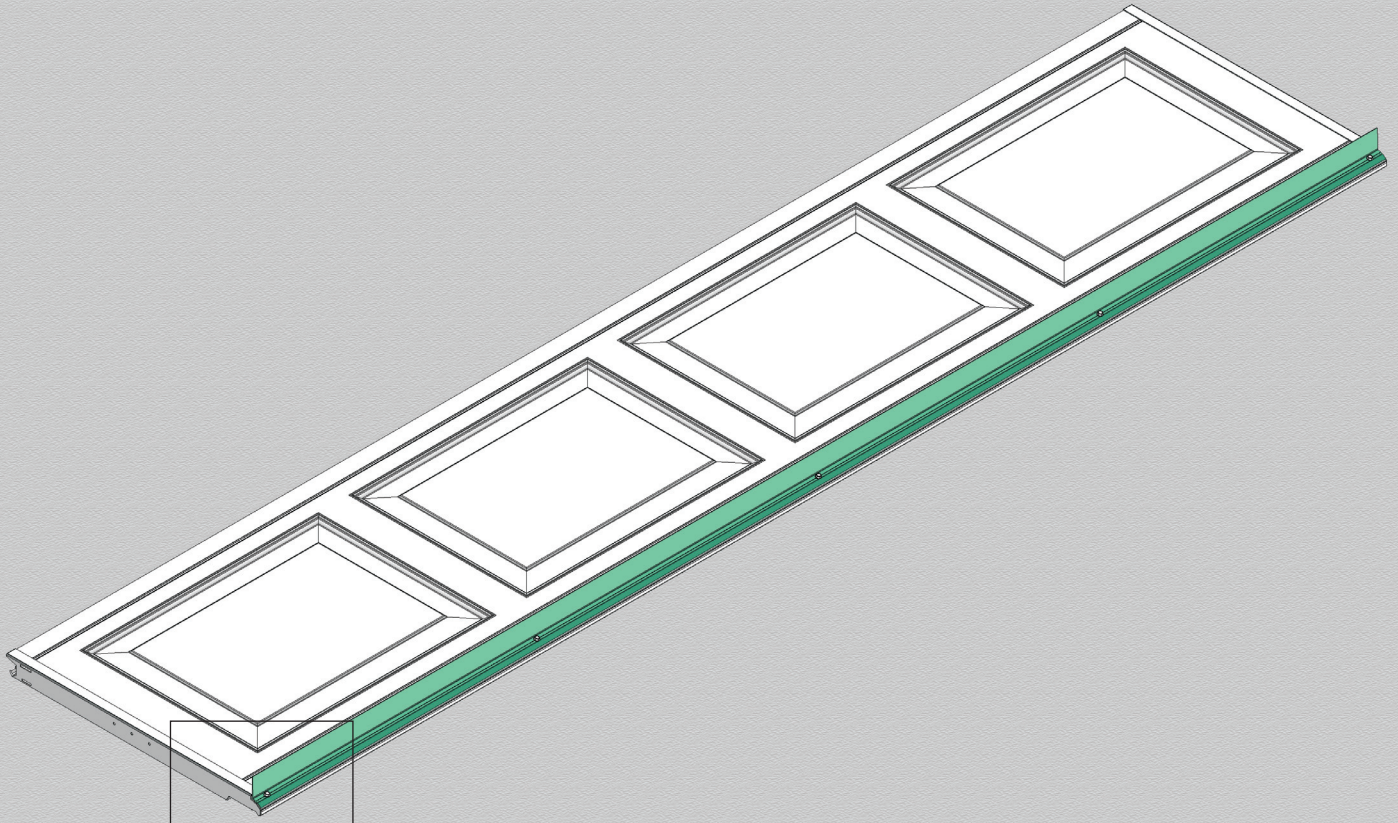
10



11

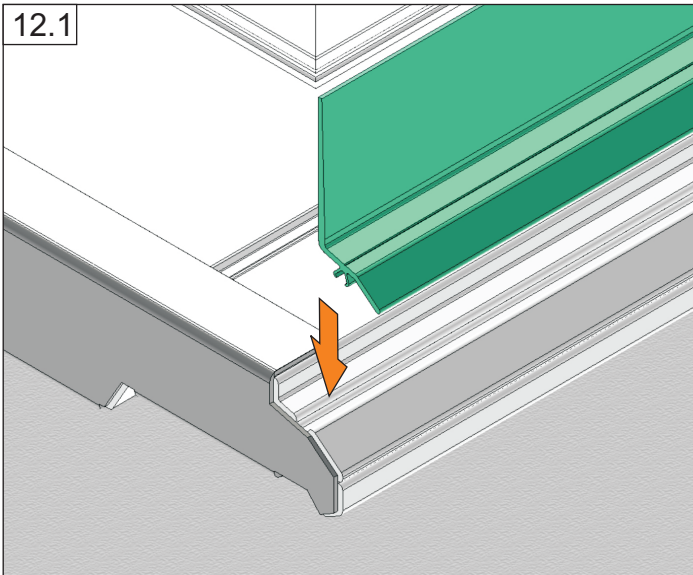


12

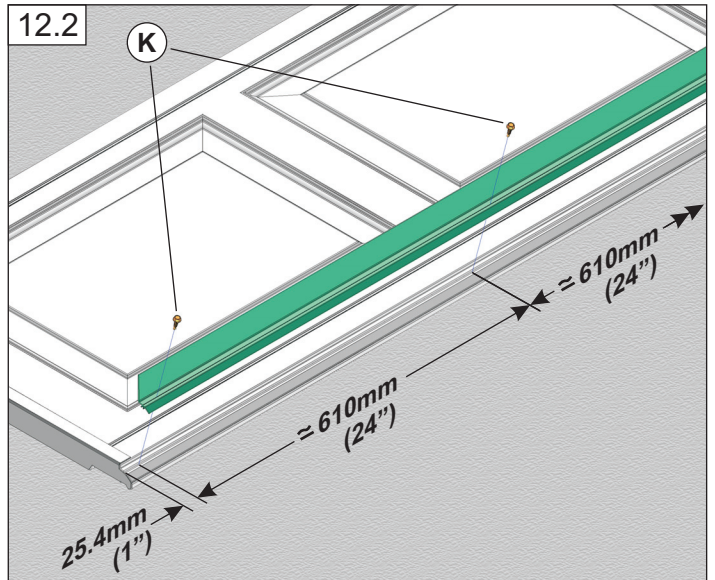


12.1 / 12.2

12.1



12.2

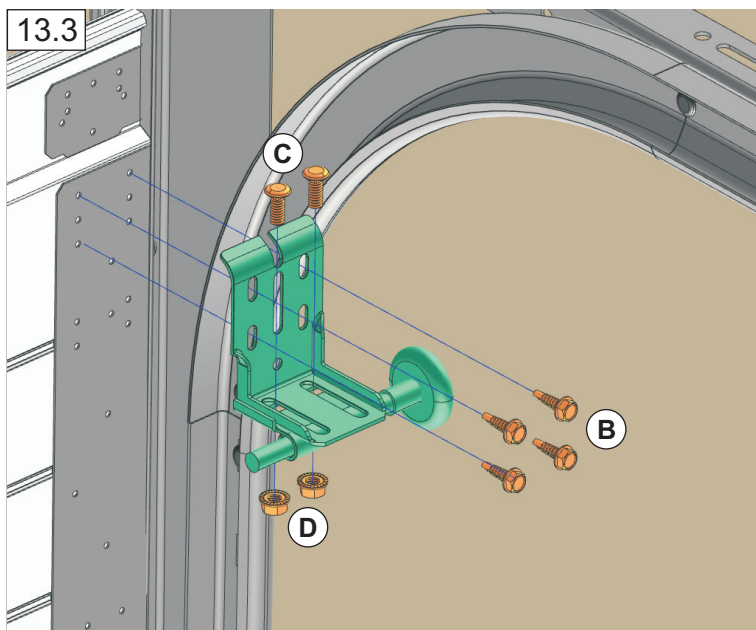
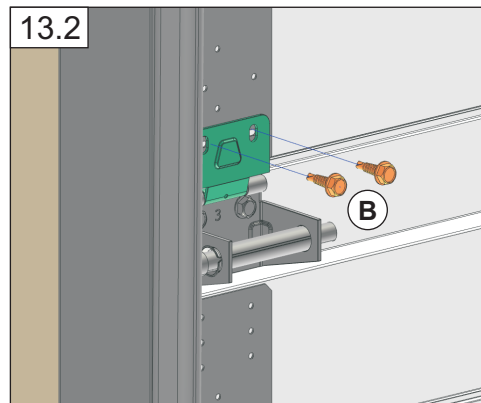
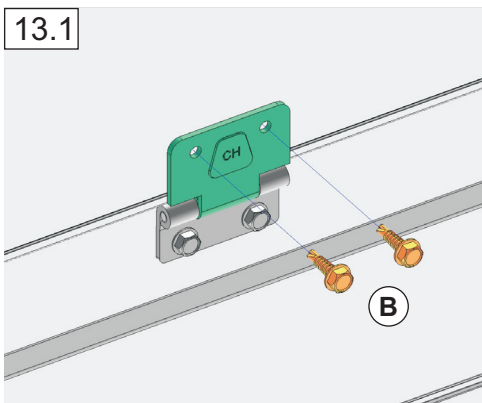
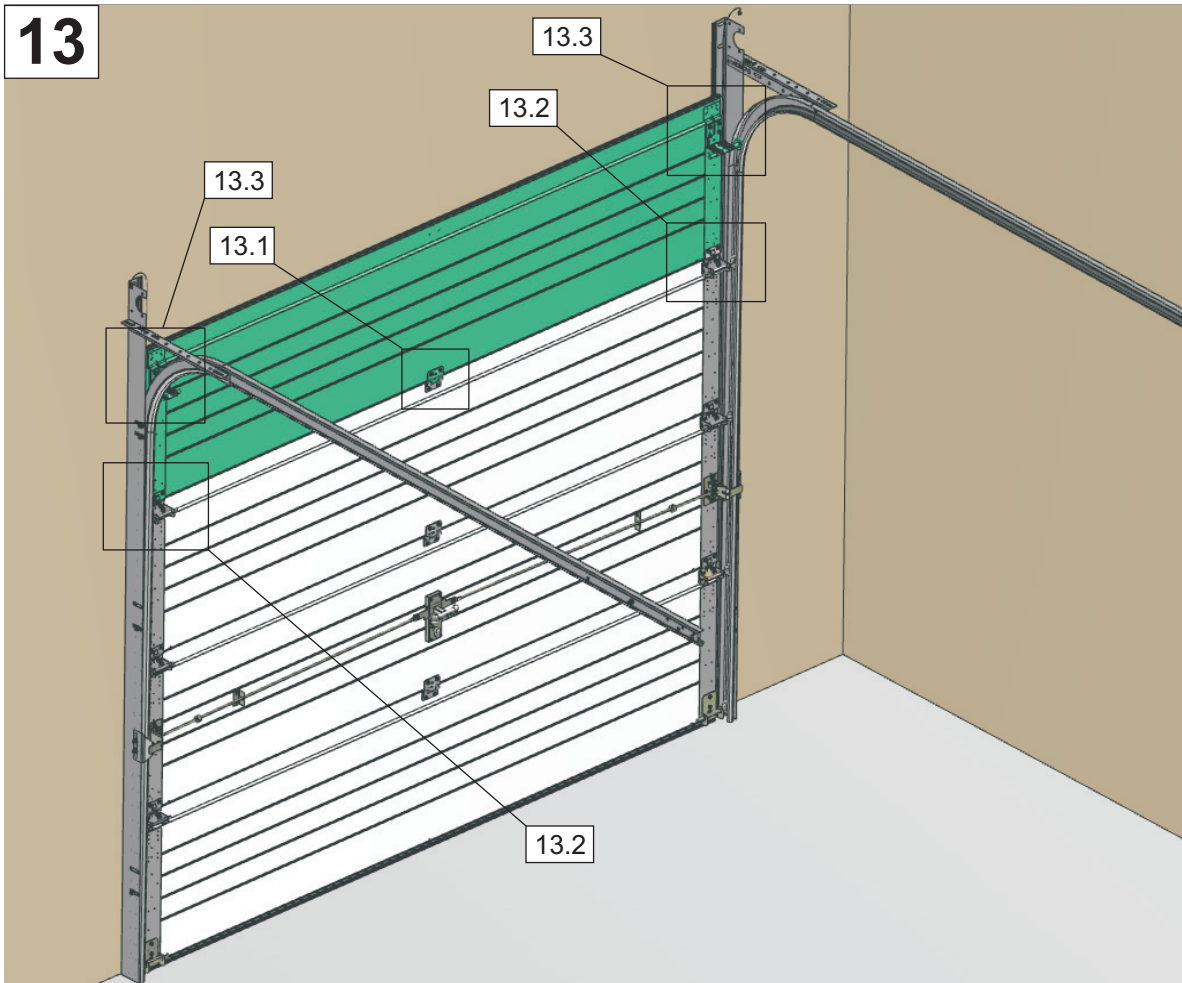


25.4mm
(1")

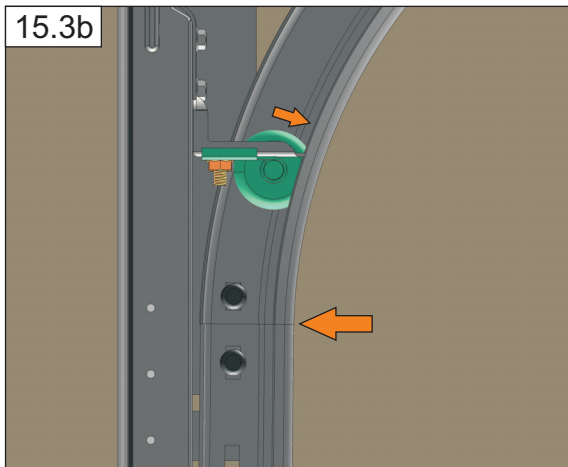
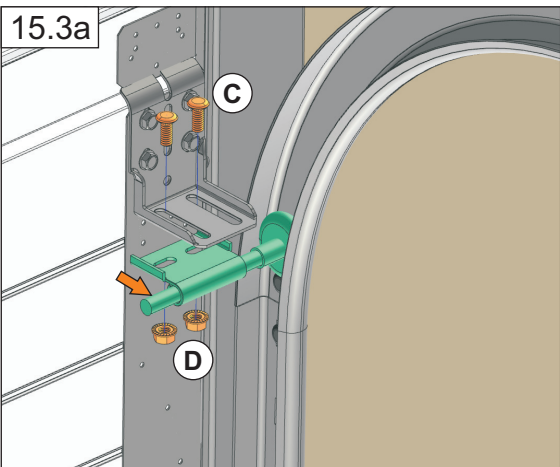
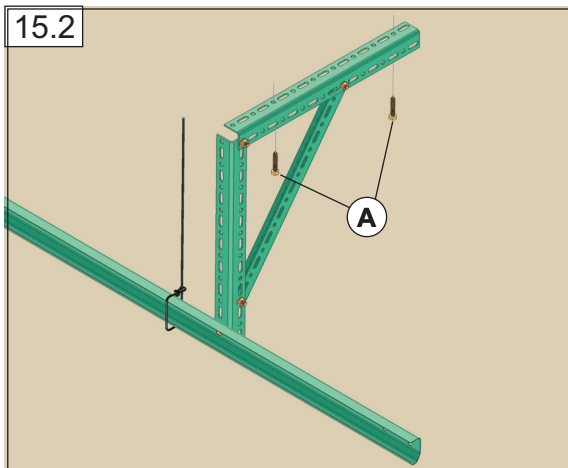
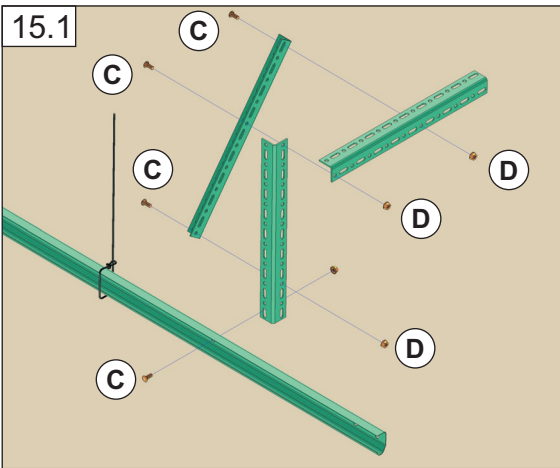
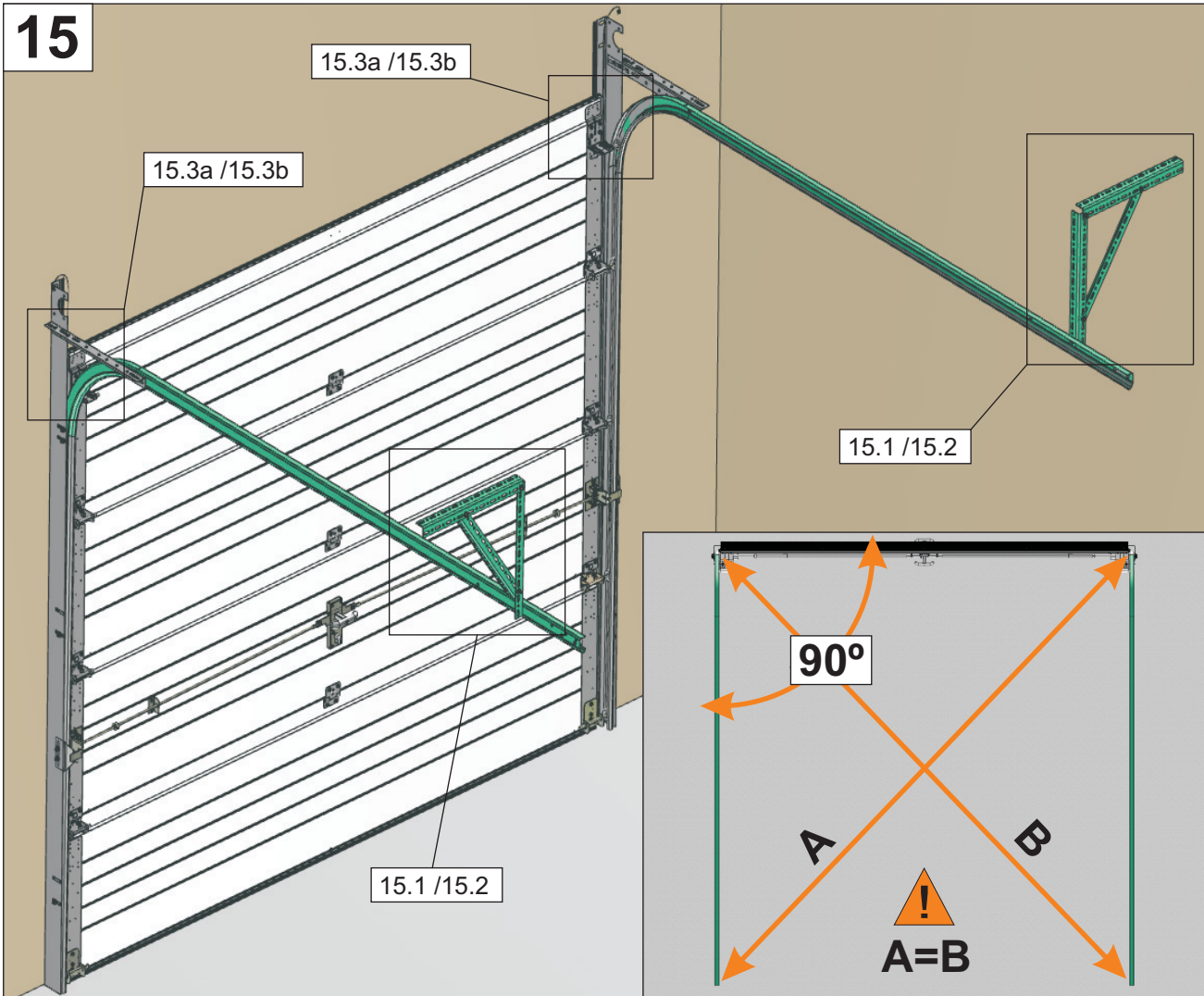
≈ 610mm
(24")

≈ 610mm
(24")

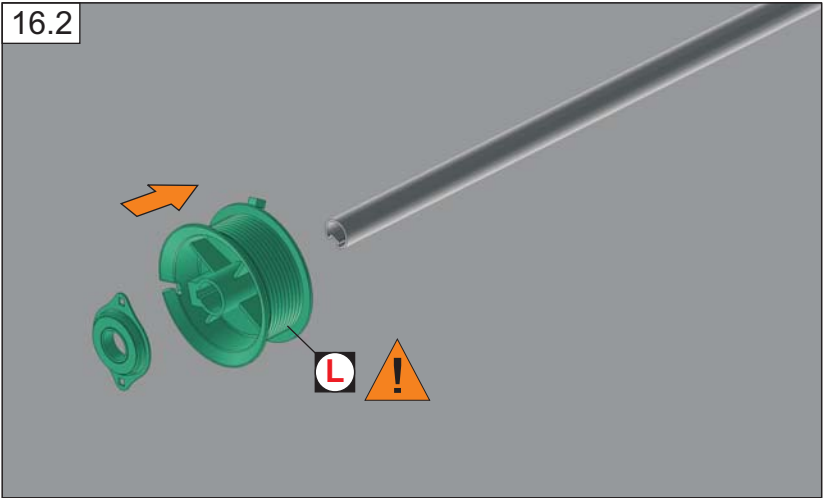
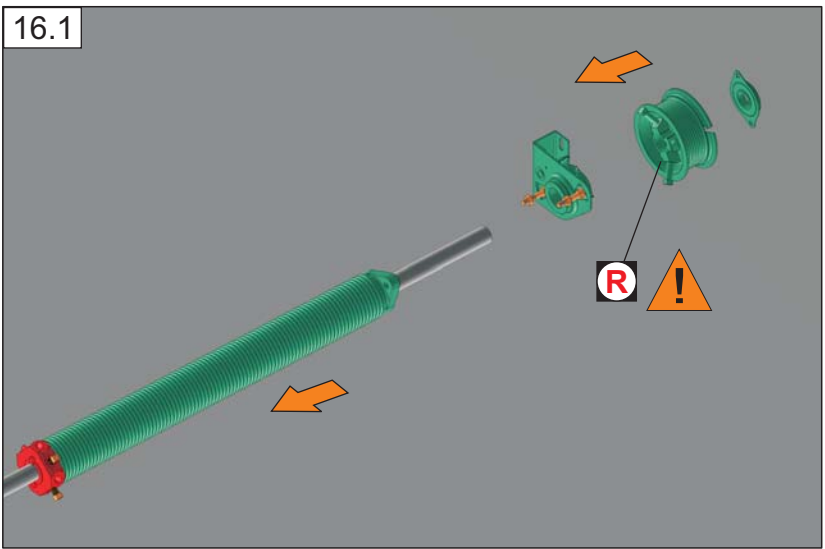
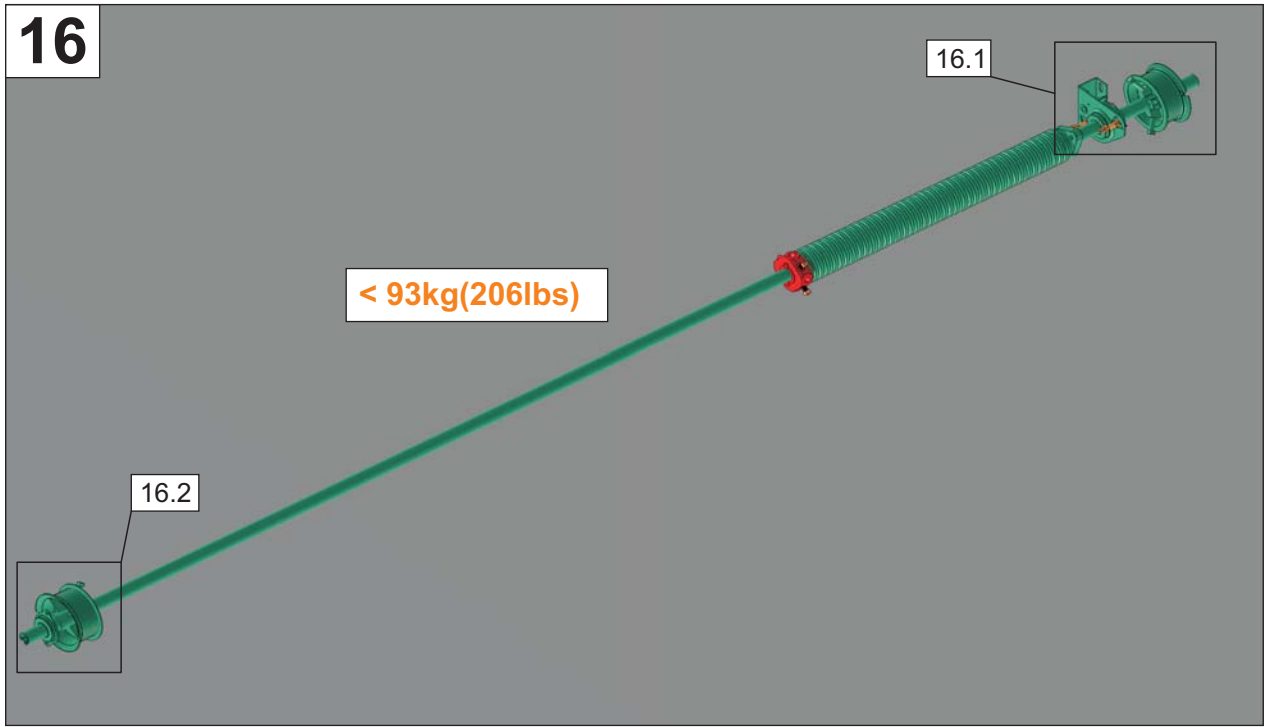
13

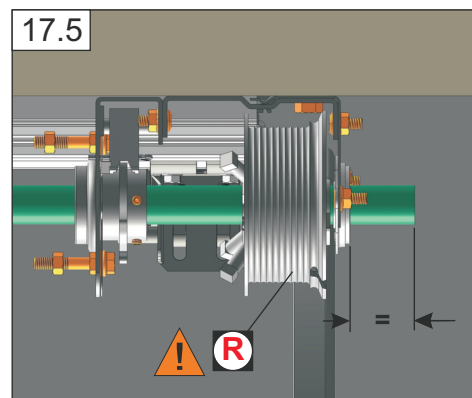
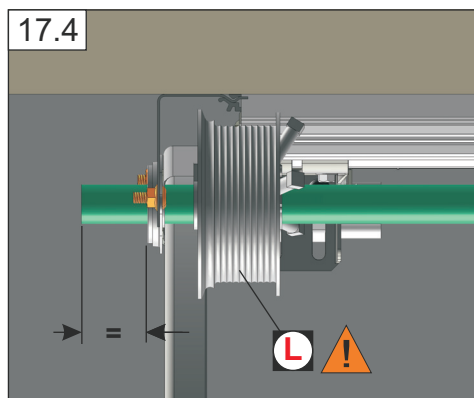
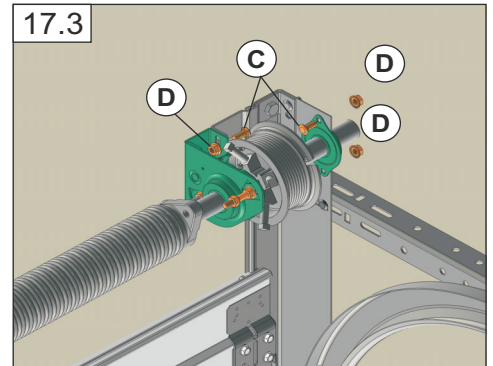
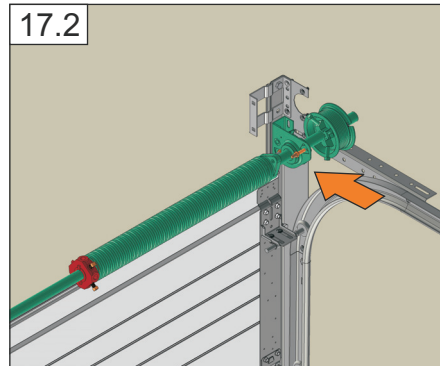
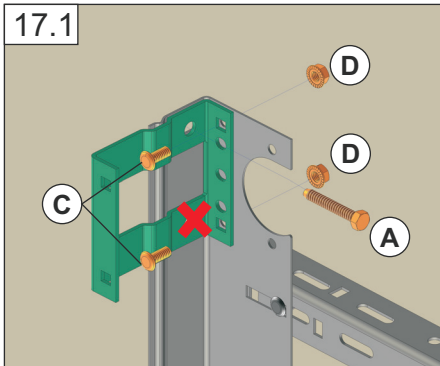
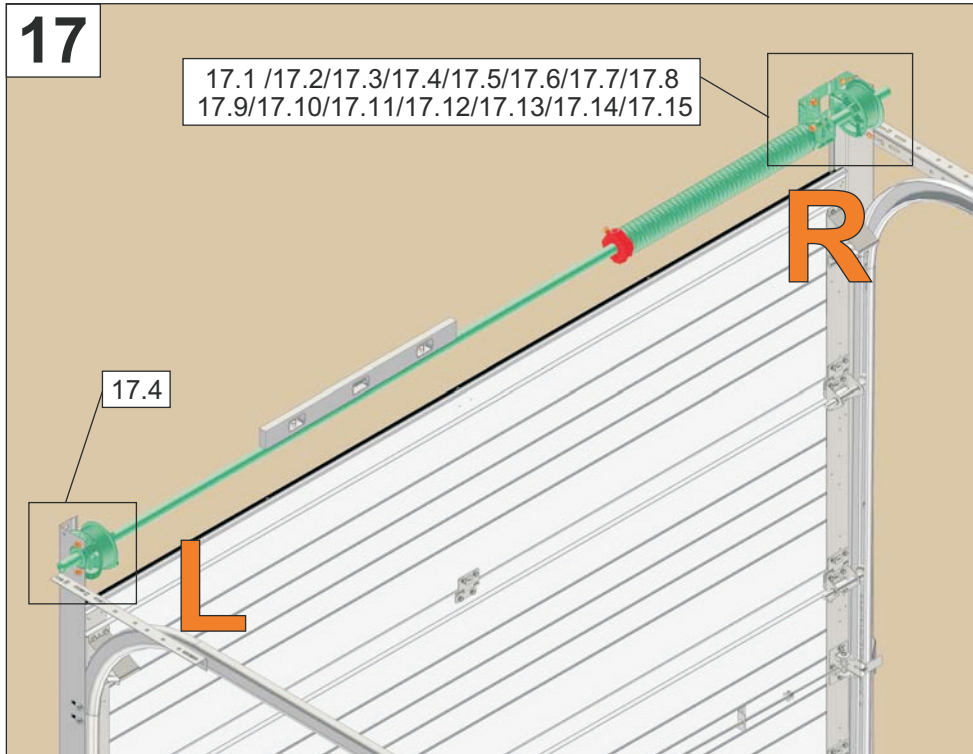


15

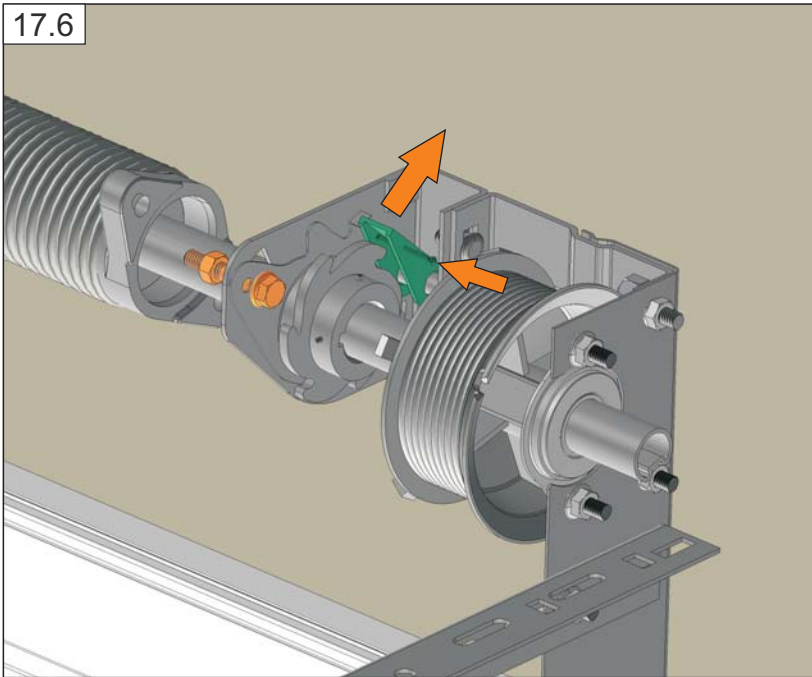


16

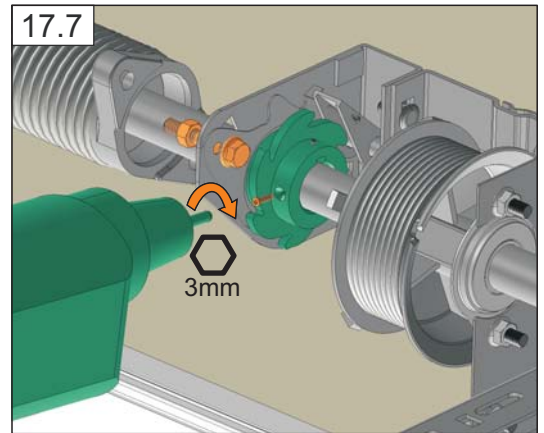




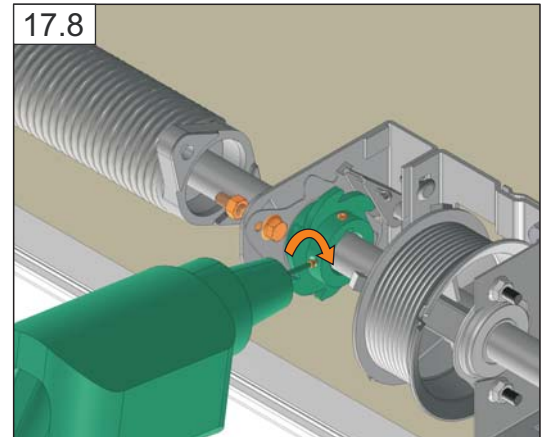
17.6



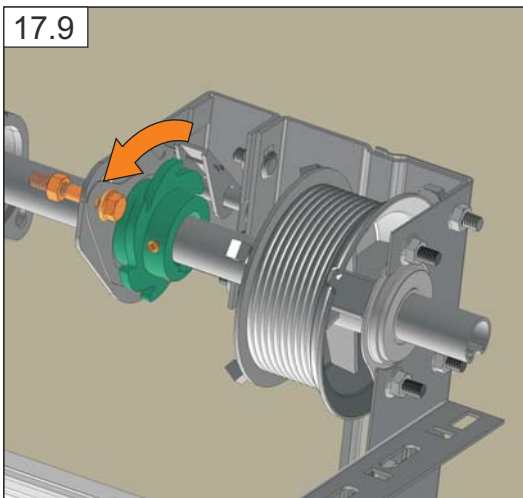
17.7



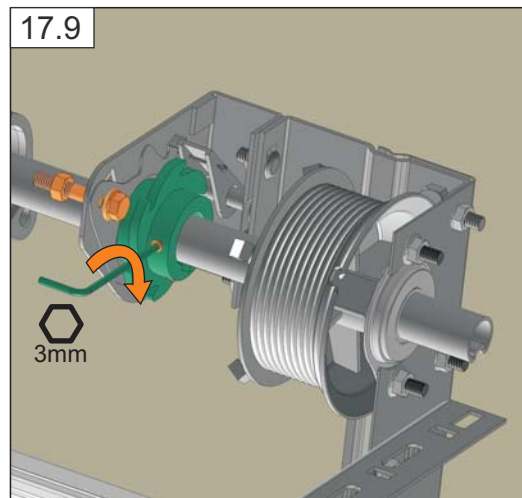
17.8



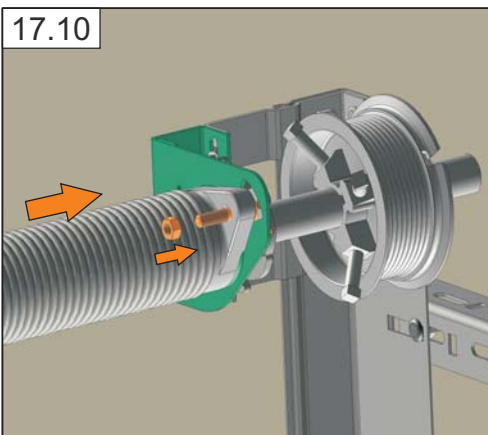
17.9



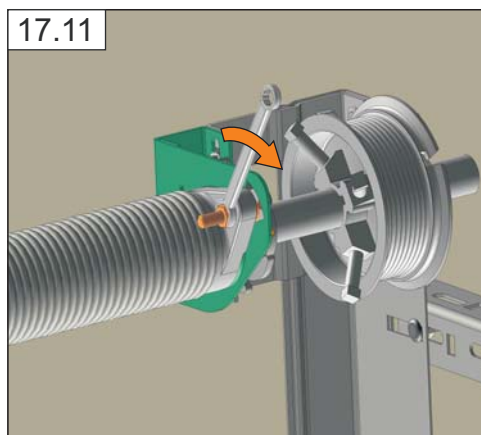
17.9



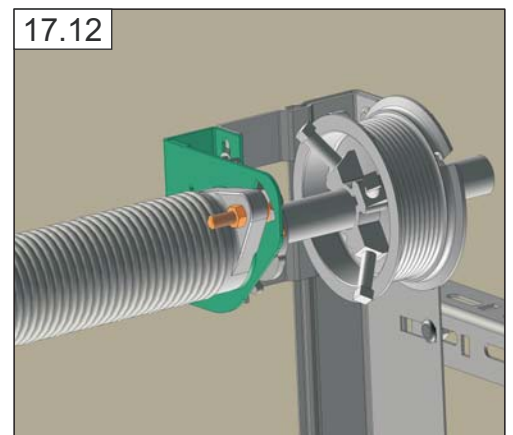
17.10

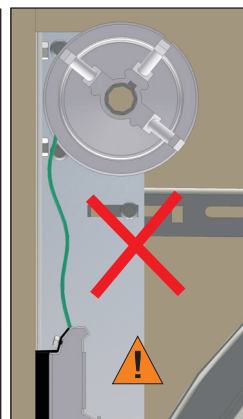
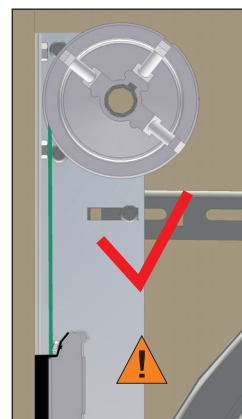
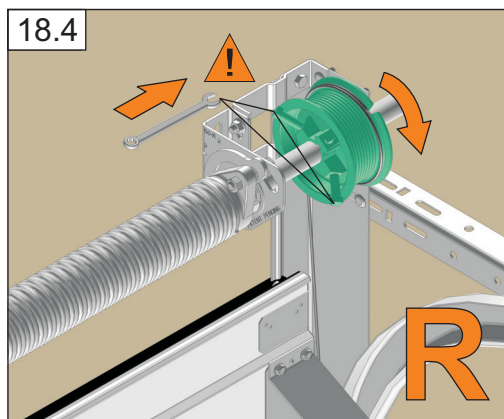
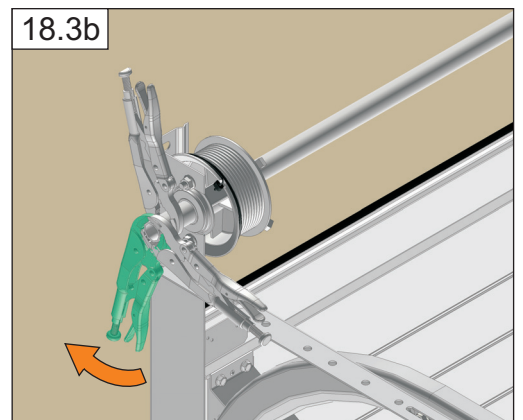
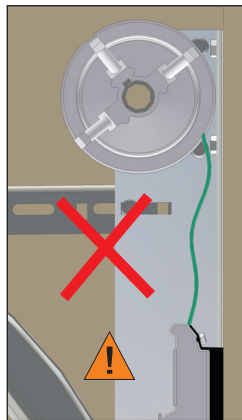
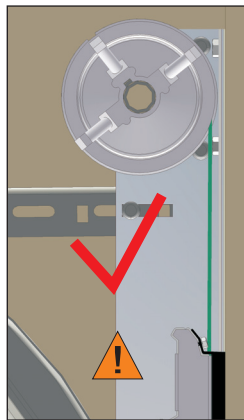
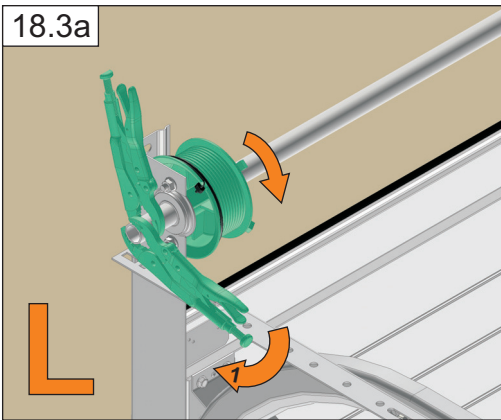
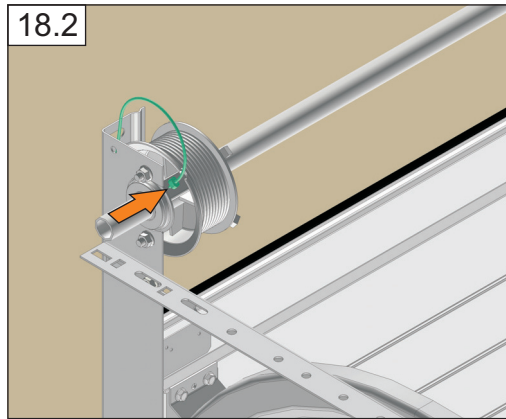
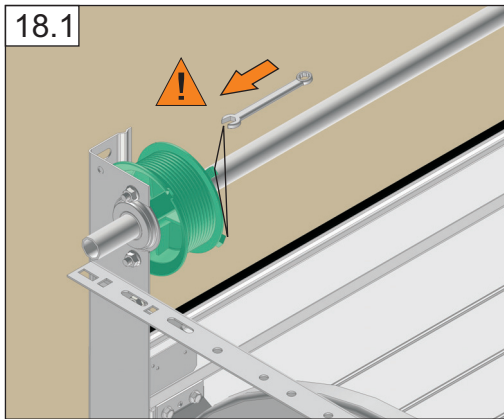
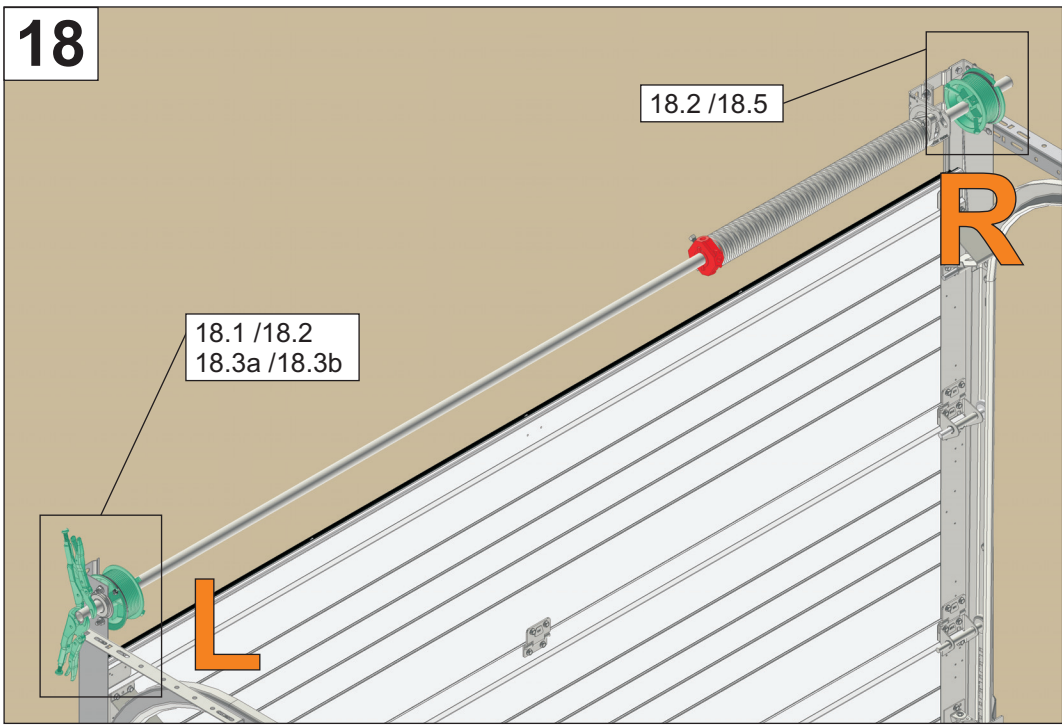


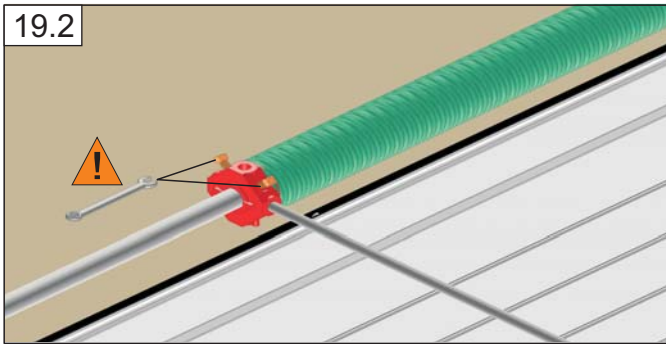
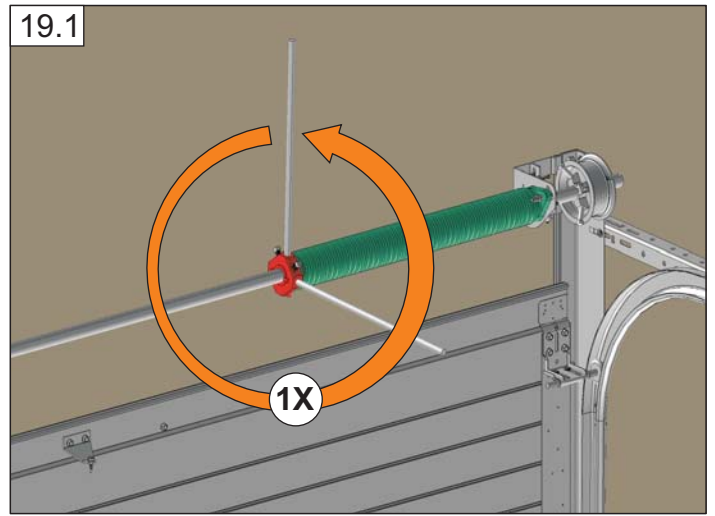
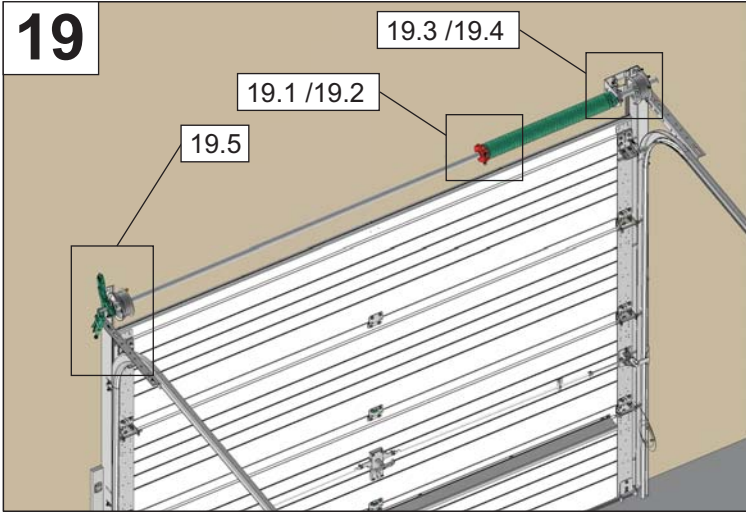
17.11



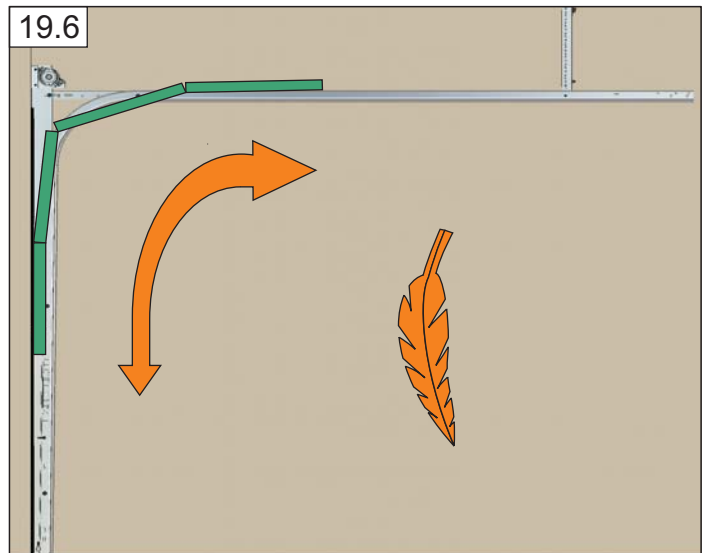
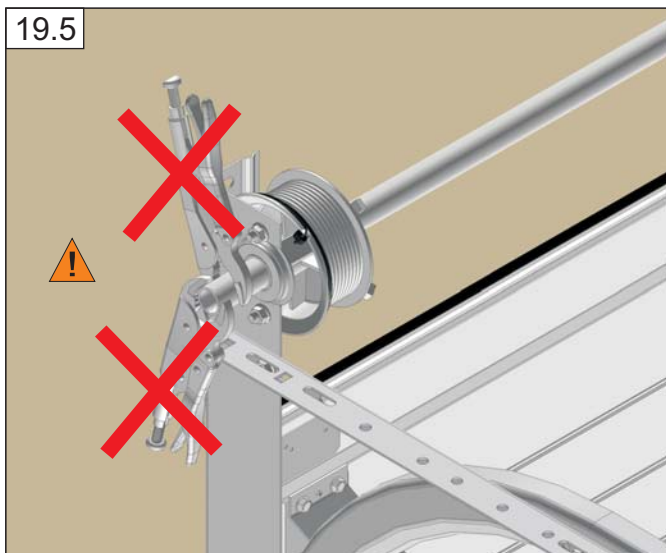
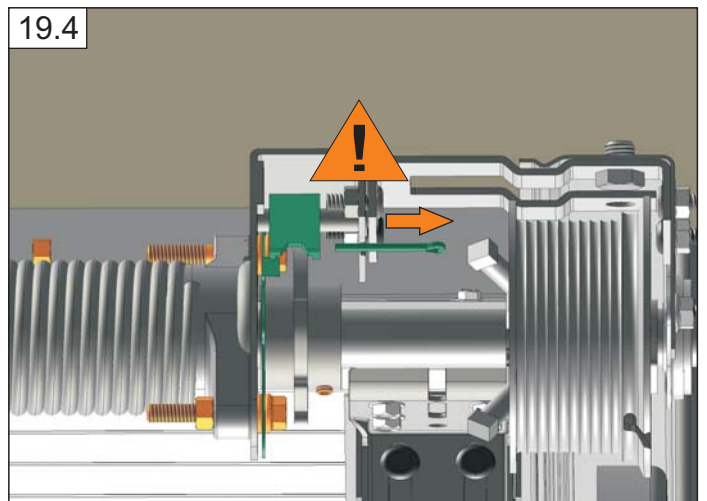
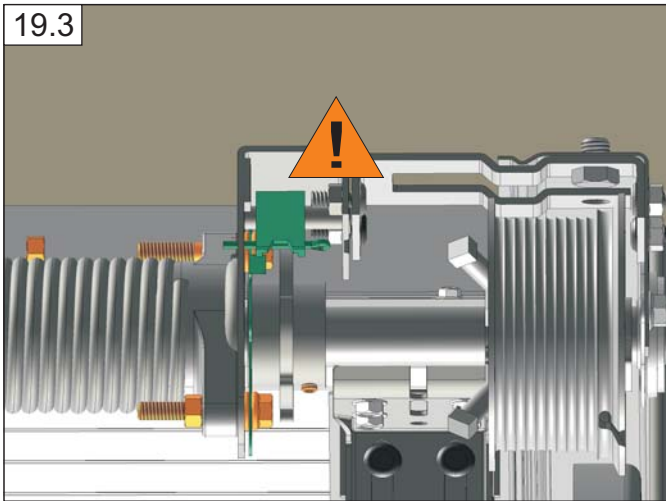
17.12



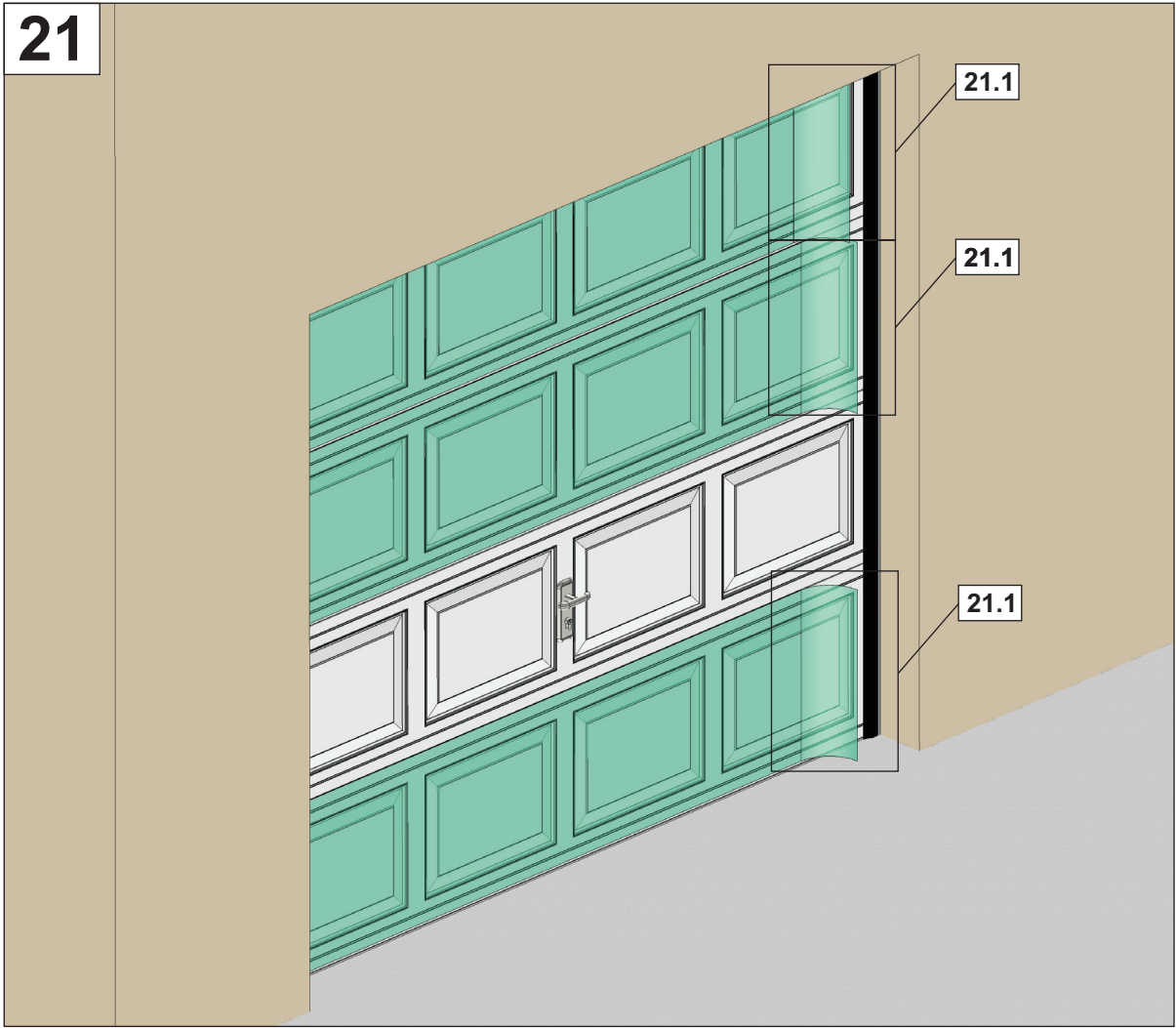




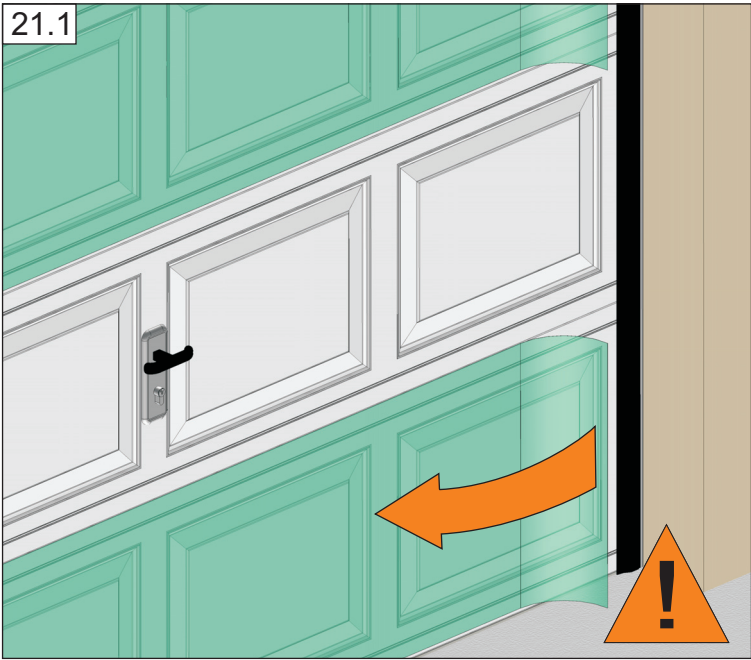
	X
183cm	6.7
198cm	7.2
214cm	7.6



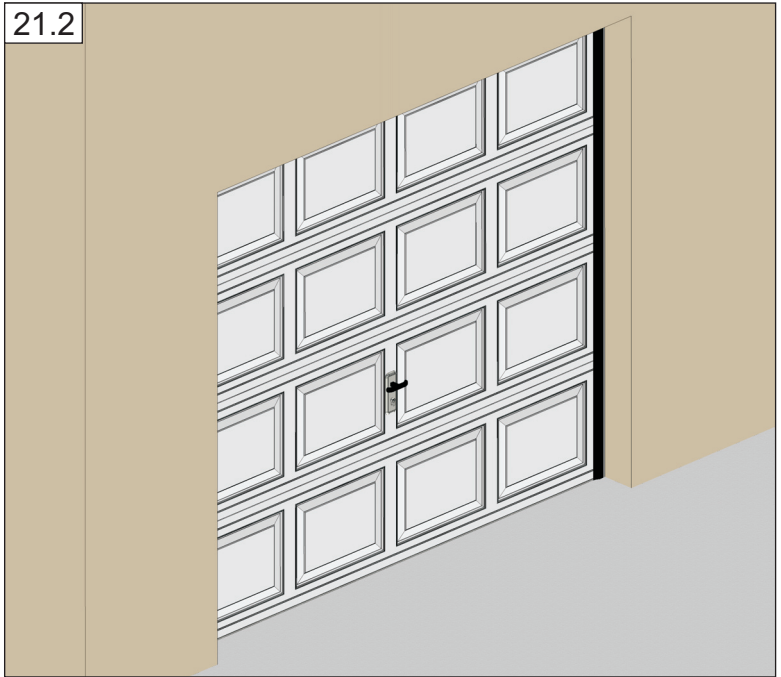
21



21.1



21.2



Care & Maintenance

Congratulations on your purchase of a RICHARDS-WILCOX (R-W) Garage Door! With proper care and maintenance, your door will perform reliably for years to come. To maintain your warranty, see the instructions below for when R-W requires performing these maintenance items.

Environment	At Installation	Every 6 Months	Every 12 Months	As Needed
<p>Normal Areas not exposed to salt, salt fog, dirt or other airborne substances, or where winter road salt is not used.</p>		<p>Wash the door and windows with a mild soap (such as car wash soap or dishwashing soap) and water. Wash both interior and exterior. Rinse thoroughly. Do not use harsh or abrasive detergents.</p> <p>Lubricate track and hinges with a silicone or Teflon-based spray. Do not use WD-40® or grease. Then open and close the door to distribute the lubricant.</p>	<p>Inspect springs and hardware for signs of wear. Avoid any contact with the torsion springs as they are under extreme tension. <u>Call your local R-W Dealer to schedule a service call if you suspect any problems.</u></p>	<p>If surface rust appears, immediately contact your local R-W Dealer for inspection and repair options.</p>
<p>Winter Areas where winter road salt is used.</p>		<p>Wash the door and windows. See above.</p> <p>Lubricate track and hinges. See above.</p>	<p>Inspect springs and hardware for signs of wear. See above.</p>	<p>Clean off road salt from interior and exterior surfaces. Use a mild soap (such as car wash soap or dishwashing soap) and water. Rinse thoroughly. Do not use harsh or abrasive detergents.</p> <p>If surface rust appears, immediately contact your local R-W Dealer for inspection and repair options.</p>
<p>Coastal Areas with exposure to salt or salt fog.</p> <p>Harsh Areas with exposure to dirt or other airborne substances.</p>	<p>Apply a good quality car wax to the door immediately after installation, unless you are going to paint the door (see accompanying painting instructions). Follow car wax application instructions.</p>	<p>Wash the door and windows. See above.</p> <p>Wax the door. See "At Installation."</p> <p>Lubricate track and hinges. See above.</p>	<p>Inspect springs and hardware for signs of wear. See above.</p>	<p>Wash the door and windows with a mild soap (such as car wash soap or dishwashing soap) and water. Wash both interior and exterior. Rinse thoroughly. Do not use harsh detergents.</p> <p>If surface rust appears, immediately contact your local R-W Dealer for inspection and repair options.</p>

WARNING - Garage door springs, cables, brackets and other hardware attached to the springs are under very high tension and, if handled improperly, can cause serious injury. Only an authorized R-W Dealer should adjust them. Do not attempt to repair yourself.

Painting Instructions

All RICHARDS-WILCOX (R-W) residential steel garage doors are already painted with a baked-on finish. No additional painting is required. If you want to apply another color, however, the following steps are required. NOTE: Only paint the exterior of the door while it is in the closed position.

1. Use the following solution, with a soft bristle brush, to remove mildew and other surface contaminants: 1 cup household detergent + 5 gallons warm water
2. Rinse thoroughly with water.
3. Use a powder cleanser, diluted with water, with a soft bristle brush, to prepare the surface for better paint adhesion. Do not use sandpaper, deglossers, or liquid sandpaper to prepare the door surface.
4. Rinse thoroughly with water and allow to dry.
5. Use a high quality acrylic latex exterior paint. Apply according to manufacturer's instructions. Do not use oil-based paint or any "rust-inhibitive" paint. Do not paint in direct sunlight or when surface is warm to the touch. Lap marks will result. Brush application is recommended.
6. Avoid getting paint on any gasket seals between door sections. Not all R-W doors have these gasket seals.

IMPORTANT: Since R-W has no control over recoating, we do not warrant this product against peeling of the original factory-applied baked-on finish or subsequent coats of paint where recoating has occurred.

Residential Garage Door Warranties

Sections - Protege FP

Richards-Wilcox (R-W) warrants the door sections against defects in material and workmanship and deterioration due to rust-through as follows:(a) in residential single-family installations, for ten (10) years from date of delivery to the original purchaser. Window components are warranted against defects in material and workmanship for three (3) years from date of delivery to the original purchaser.(b) in all other residential installations (including installation on rental properties, homes owned in common by condominium associations or similar organizations), for three (3) years, from date of delivery to the original purchaser.

Hardware & Spring - Protege FP

R-W warrants all hardware and spring components against defects in material and workmanship, as follows:

(a) in residential single-family installations, for three (3) years from date of delivery to the original purchaser.

(b) in all other residential installations (including installation on rental properties, homes owned in common by condominium associations or similar organizations), for three (3) years, from date of delivery to the original purchaser.

Under the terms of this limited warranty, for any door components that are found to be defective upon inspection by authorized R-W personnel, R-W will, at its option, repair or replace the defective door components. Labor charges for dismantling, installations, repairs or transportation costs, shall be the responsibility of the consumer and must be performed by an authorized R-W Dealer. **This warranty applies only to doors that are professionally installed by an authorized R-W Dealer.**

This warranty extends only to the original purchaser, provided the door is installed in his/her primary place of residence. This warranty is not transferable. The warranty applies to residential property only and is not valid on commercial applications.

This warranty does not apply to automated parking control systems for multi-tenant parking applications.

This warranty does not apply to any damage or deterioration caused through normal wear, improper installation, failure to provide necessary care and maintenance, abuse, improper surface preparation or applied paint failure, repairs by other than an authorized R-W Dealer, or effects caused by fire, acid rain, salts, alkaline solutions, acids or abnormal environmental conditions.

R-W shall not be liable for any consequential or incidental damages.

ALL OTHER WARRANTIES, EXPRESS OR IMPLIED, INCLUDING ANY WARRANTY OF MERCHANTABILITY, ARE HEREBY EXPRESSLY EXCLUDED.

Claims for defects in material and workmanship covered by this warranty shall be made in writing with proof of purchase to the dealer from whom the product was purchased or call R-W at +1.905.625.0037 (facsimile +1.905.625.0057) within the warranty period.

R-W may choose to have the product returned for inspection.

**5100 Timberlea Blvd.
Mississauga, Ontario
L4W 2S5
Canada**

Phone: +(905)625-0037

Fax: +(905)625-0057

www.rwdoors.com



Richards-Wilcox

**Item No.1-0011FE(S)
Revised: Jan.2017**