

# Inspection Certificate

Controlecertificaat • Kontrollschein • Bulletin de contrôle • Certificato di controllo • Certificado de control • Kontrollskjema • Kontrol Certifikat • Tarkastustodistus • Besiktningsprotokoll

Art. Nr. ELBD16-2218

## Please keep safely!

Zorgvuldig te bewaren! • Bitte gut aufbewahren! • A bien conserver, s.v.p.!

• Da conservare! • ¡A conservar! • Ta vare på denne! • Opbevares sikkert! • Ole hyvä ja säilytä huolella! • Vänligen förvara säkert!

**English:** The house you have purchased was manufactured in accordance with the high quality norms. The building unit has been carefully inspected and packed. In order to avoid possible problems during the assembly carried out by yourself or the building company of your choice, we recommend that you inspect the delivery for its completeness in accordance with the list of pieces before assembly. This inspection must be carried out within 14 days after delivery to your place. Warranty claims are limited to the exchange of defective materials. Defective building parts, which have already been used or painted, are excluded from being replaced. All further claims are excluded! In cases of complaints, please pay attention to the following procedures: Please present this inspection certificate along with the sales receipt to your place of purchase. Only in cases where these documents are presented will the complaint be dealt with quickly and without complications.

**Dutch:** Het door U gekochte tuinhuis werd vervaardigd volgens de hoge kwaliteitsnormen. Het tuinhuis werd zorgvuldig gecontroleerd en verpakt. Om tijdens de montage, uitgevoerd door Uzelf of een door U gekozen aannemer, problemen te vermijden, raden we U aan, vóór de montage, de levering te controleren op volledigheid in overeenstemming met de onderdelenlijst. Deze controle dient te gebeuren binnen 14 dagen na levering bij U thuis. Waarborgvorderingen zijn beperkt tot het vervangen van gebrekkig materiaal. Gebrekkige onderdelen die reeds gebruikt of geschilderd zijn, zijn uitgesloten van vervanging. Alle latere vorderingen zijn uitgesloten! In geval van klachten, gelieve dan te letten op de volgende procedure: Leg dit controlecertificaat, samen met Uw aankoopbewijs voor aan Uw verkoper. Enkel in gevallen waarbij deze documenten voorgelegd worden, zal de klacht snel en zonder complicaties behandeld worden.

**Deutsch:** Das von Ihnen gekaufte Haus wurde nach der hohen Qualitätsnorm gefertigt. Der Bausatz wurde sorgfältig geprüft und verpackt. Um etwaige auftretende Probleme während des Aufbaus durch Sie oder Ihre Aufbaufirma zu vermeiden, kontrollieren Sie bitte die Lieferung auf Vollständigkeit laut Stückliste vor dem Aufbau. Diese Kontrolle muss innerhalb 14 Tagen nach Anlieferung bei Ihnen erfolgen. Ansprüche auf Gewährleistung beschränken sich auf den Austausch von fehlerhaftem Material. Fehlerhafte Bauteile, die bereits verbaut oder gestrichen wurden, sind vom Umtausch ausgeschlossen. Alle weiteren Ansprüche sind ausgeschlossen! Sollte es zu einer Beanstandung kommen, beachten Sie folgende Vorgehensweise: Legen Sie Ihrem Fachhändler diesen Kontrollschein zusammen mit dem Einkaufsbeleg vor. Nur bei Vorlage dieser Unterlagen ist eine schnelle und problemlose Bearbeitung Ihrer Beanstandung möglich.

**Français:** La cabane que vous venez d'acheter a été fabriqué en respectant de hautes normes de qualité. L'ensemble de construction a été testé et emballé avec soin. Afin d'éviter des problèmes éventuels pendant la construction par vous-même ou la société de construction mandatée, nous vous prions de bien vouloir vérifier que toutes les pièces ont été fournies selon la liste des pièces avant que vous ne commenciez la construction. Il vous incombe de faire ce contrôle dans les 14 jours après la fourniture. Les revendications en dédommagement se limitent à l'échange de matériel défectueux. Des pièces de construction défectueuses, déjà construites ou peintes, sont exclues de tout échange. Toutes les revendications ultérieures sont exclues ! Si une réclamation avait lieu, veuillez respecter le déroulement suivant : Il vous faudra présenter, à votre commerçant spécialisé, ce bulletin de contrôle avec le récépissé de l'achat. Ce ne sera que moyennant présentation de ces documents qu'un traitement rapide et sans problème de votre réclamation sera possible!

**Italiano:** La casetta che avete acquistato è stata prodotta secondo la norma di alta qualità. Il kit è stato controllato ed imballato con cura. Per evitare eventuali inconvenienti durante il montaggio, si prega di verificare, prima del montaggio, la completezza della fornitura in base alla distinta dei pezzi. Tale verifica deve essere effettuata entro 14 giorni dalla consegna. Eventuali diritti di garanzia si limitano alla sostituzione di materiale difettoso. Gli elementi difettosi già montati o verniciati sono esclusi dal diritto alla sostituzione. Ogni altro diritto resta escluso! In caso di reclamazione, procedere nel modo seguente: presentare questo certificato di controllo unitamente alla prova d'acquisto al rivenditore. Solo in questo modo la Sua reclamazione potrà essere evasa rapidamente e senza problemi.

**Español:** La casa que ha adquirido ha sido fabricada de acuerdo con normas de alta calidad. Las piezas de la casa han sido cuidadosamente inspeccionadas y embaladas. Con el fin de evitar posibles problemas durante el montaje, hecho por usted o por la empresa de construcción de su elección, le recomendamos revisar el paquete entregado, con la lista de piezas, antes de armar la casa. Haga la revisión dentro de 14 días después de recibir el paquete. La garantía se limita a reemplazar las piezas defectuosas. No se reemplazarán las partes defectuosas que ya hayan sido utilizadas o pintadas. ¡No se aceptan otras reclamaciones! En casos de queja, por favor, presente este certificado junto con la factura en el lugar donde hizo la compra. Sólo presentando estos documentos podremos resolver su problema rápidamente y sin complicaciones.

**Norsk:** Produktet du har kjøpt, ble produsert i henhold til høye kvalitetskrav. Produktet har blitt kontrollert nøye og deretter omhyggelig pakket. For å unngå mulige problemer under monteringen, uansett om du gjør det selv eller får en godkjent håndverker til å gjøre det, anbefaler vi at du kontrollerer leveransen mot delelisten for å se om alle delene er inkludert. Denne kontrollen må gjøres innen 14 dager etter at delene ble levert til din adresse. Garantikrav begrenser seg til bytte av defekte deler. Defekte elementer som allerede har blitt brukt eller malt/beiset/limt, vil ikke bli erstattet. Alle andre krav er utelukket! Dersom du har en reklamasjon, vennligst gjør som følger: Lever dette kontrollskjema med kvitteringen til salgsstedet. Bare når du har med disse dokumentene kan klagen behandles raskt og uten komplikasjoner.

**Dansk:** Det købte hus er fremstillet i overensstemmelse med de høje kvalitetskrav. Produktet er blevet omhyggeligt inspiceret og pakket. For at undgå eventuelle problemer i løbet af monteringen udført af dig selv eller håndværker af dit eget valg, anbefaler vi, at du undersøger leverancen for fuldstændighed i overensstemmelse med listen over dele før samling. Denne inspektion skal foretages inden 14 dage efter levering til din plads. Garantikrav er begrænset til udveksling af defekte materialer. Defekte bygningsdele, som allerede er brugt eller malet, er udelukket fra at blive erstattet. Alle yderligere krav er udelukket! I tilfælde af klager, skal du være opmærksom på følgende procedurer: Venligst præsenter denne kontrol certifikat sammen med kvitteringen til det sted hvor produktet er købt. Kun i de tilfælde, hvor disse dokumenter er forelagt kan klagen behandles hurtigt og uden komplikationer.

**Suomi:** Ostamasi mökki on valmistettu korkeita laatuvaatimuksia noudattaen. Rakennus on huolella tarkastettu ja pakattu. Jotta pystytys joko itsesi tai valitsemasi rakennusliikkeen toimesta sujuisi ongelmitta, suosittelomme, että tarkistat toimituksen sisällön osaluettelon avulla ennen kokoamisen aloittamista. Tämä tarkistus tulee tehdä 14 päivän kuluessa toimituksesta. Takuuvaateet rajoittuvat viallisten materiaalien vaihtamiseen. Viallisia osia, joita on jo käytetty ja jotka on maalattu, ei vaihdeta uusiin. Lisävaatimuksia ei huomioida! Mahdollisissa valitustapauksissa toimi seuraavasti: Esitä oheinen tarkastustodistus ja kassakuitti ostopaikassa. Valituksen nopea ja mutkaton käsittely edellyttää näiden asiakirjojen esittämistä.

**Svenska:** Huset du köpt har tillverkats i enlighet med de högsta kvalitetsstandarderna. Byggnadens delar har noggrant besiktigats och förpackats. För att undvika eventuella problem under monteringen som du utför själv eller låter en hantverkare att utföra, rekommenderar vi att du, innan monteringen påbörjas, besiktigar leveransen för att säkerställa att den är komplett enligt förteckningen över ingående delar. Denna besiktning måste utföras inom 14 dagar efter att du tagit emot leveransen. Garantianspråk är begränsade till ersättning av defekt material. Defekta byggnadsdelar, vilka redan har använts eller målats, ersätts inte. Alla vidare anspråk avvisas! I händelse av reklamationer, vänligen uppmärksamma följande: uppvisa detta besiktningsprotokoll tillsammans med inköpsbeviset till ditt inköpsställe. Endast om dessa dokument uppvisas kan vi garantera att reklamationen behandlas skyndsamt och utan krångel.

**Factory inspection by** • Fabrikscontrole door • Werkskontrolle durch • Contrôle à partir de l'usine par • Collaudato da • Inspector de fábrica • Fabrikkontroll utført av • Fabriks Kontrol udført af • Tehtaan tarkastaja • Fabriksbesiktigat av:

**Pack number** • Pack Nr. • Pack Nr. • Packet n° • Pacco N. • Paquete N° • Serien • Pakettintro • Produktionsnummer:

**Date** • Datum • Date • Data • Fecha • Dato • Päiväys • Datum:

**To be completed by buyer! (Please use block letters)** • In te vullen door de verkoper! (Graag in drukletters) • Vom Käufer auszufüllen! (Bitte in Druckschrift) • A remplir par l'acheteur! (en lettres d'imprimerie, s'il vous plaît) • Da compilare dall'acquirente! (in stampatello) • ¡Completa el cliente! (en mayúsculas) • Fylles ut av kjøper! (Vær vennlig å bruke blokkbokstaver) • Udfyldes af køber! (Benyt venligst Blokbogstaver) • Ostaja täyttää! (Ole hyvä ja käytä isoja kirjaimia) • Fylls i av köparen! (Vänligen texta):

**Place of purchase** • Plaats van aankoop • Bezugsquelle • Source d'achat • Acquistato presso • Lugar de compra • Salgssted • Salgs sted • Ostopaikka • Inköpsställe:

**Sales receipt No.** • Aankoopbewijs Nr. • Kaufbeleg-Nr. • Récépissé n° • Prova d'acquisto N. • Recibo N° • Kvitteringsnr • Kasse Bon nr • Kassakuitin numero • Försäljningskvittots nummer:

**Sales receipt date** • Aankoopbewijs -Datum • Kaufbeleg-Datum • Date du récépissé • Data prova d'acquisto • Fecha recibo • Kvitteringsdato • Kasse bons dato • Kassakuitin päiväys • Försäljningskvittots datum:

**Delivery date** • Leveringsdatum • Lieferdatum • Date de livraison • Data di consegna • Fecha de Entrega • Leveringsdato • Leverings dato • Toimituspäivä • Leveransdatum:

**Buyer's address** • Adres koper • Kundenanschrift • Adresse du client • Indirizzo del cliente • Dirección del cliente • Kjøpers adresse • Købers adresse • Ostajan osoite • Köparens adress:

**Telephone** • Telefoon • Telefon • Téléphone • Teléfono • Telefon • Telefon nr • Puhelin • Telefon:

**Forwarder:**  Pick-up  Others • Door:  Verzending  Zelf • Afhalen:  Spedition  Selbstabholer • Par:  Transporteur  Propres moyens • Tramite:  Spedizioniere  Mezzo proprio • Entrega: Transporte organizado  transporte propio • Transportør:  Sendes  Hentes • Transportør:  Sendes  Hentes • Rahdinkuljettaja:  Nouto  Muut • Speditör:  Avhämtning  Övrigt

**Description of complaint** • Beschrijving van de klacht • Schilderung der Beanstandung • Description de la réclamation • Descrizione della reclamazione • Descripción del problema • Beskrivelse av feil/ mangel • Beskrivelse af fejl / Mangel • Valituksen kuvaus • Beskrivning av reklamationen: **Please keep the parts which are the object of the complaint until the complaint is settled!** • Gelieve de betrokken onderdelen te bewaren tot de klacht is afgehandeld • Veuillez garder les pièces contestées jusqu'à ce que la réclamation soit traitée définitivement! • Si prega di conservare i pezzi reclamati fino all'evasione della reclamazione! • Por favor, conserve las piezas objeto de la queja hasta que el problema haya sido resuelto • Please Vær vennlig å ta vare på de aktuelle delene/ produktet inntil saken er avsluttet! • Venligst ta hånd om de aktuelle dele / produkt indtil sagen er afsluttet! • Ole hyvä ja säilytä osat, joita valitus koskee, kunnes valitus on käsitelty! • Vänligen behåll delarna som är föremål för reklamation tills reklamationen har behandlats!

# Assembly, installation and maintenance manual

## Playhouse ELBD16-2218

Width 220 x Depth 180 cm  
Wall thickness 16 mm



### **WARNINGS:**

Not suitable for children under 3 years. Risk of crushing.

To be used under the direct supervision of an adult. Risk of falling.

Only for outdoor domestic use.

Keep away from fire.

The product is supplied disassembled. Adult assembly required.

Intended for children from 3 to 14 years (max 50 kg/user).

### **Attention!**

- It is not allowed to climb on the barriers and roof of the assembled house.
- Caution. Wooden details can contain slight torn grain or sharp ends and edges.
- Sleeping area can be used simultaneously by no more than 2 children!
- The supplied kit does not include any roof cover material. Before you begin using the house, you must obtain a suitable roof cover material (bitumen shingles or rolls) and install it in accordance with the manufacturer's instructions! It is not recommended to leave the house without a roof cover in the rain or it will void the warranty!
- The product is delivered unfinished.

## 1 Assembly manual



**Dear client,**

We are glad that you have decided in favour of our garden house!

**Please read the assembly manual carefully before proceeding with the house installation!** You will thus avoid problems and will not waste time.

### **Recommendations:**

- Keep the house package until its complete assembly in a dry place, but not in direct contact with the ground, protected from weather conditions (moisture, the sun, etc.). Do not keep the house package in a heated room!
- Assemble the product on the smooth surface at least 2m from any construction or barrier such as fence, garage, house, above situated tree branches, clotheslines and electric cables.
- When selecting the garden house location, make sure that the house will not be subjected to extreme weather conditions (areas of strong snowfall or winds); otherwise you should attach the house (for instance, with anchors) to the subsoil.
- Since the foundation joists are in constant contact with the ground they must be treated with a special wood preservative. Consult a specialist regarding paints suitable for unprocessed softwood and follow the paint manufacturer's instructions.



### **Warranty**

Your house is made from high quality fir and delivered in the natural (unprocessed) form. If, despite our thorough inspection, you should have complaints, please submit the filled out control sheet and purchase invoice to the product seller.

**ATTENTION: Please be sure to keep the documentation accompanying the house package! The control sheet includes the control number of the house. We can only review complaints if you submit the control number of the house to the seller!**

#### The warranty does not cover:

- Peculiarities of wood as a natural material
- Wooden details already painted (processed with a wood preservative)
- Wooden details containing whole branches that do not endanger the stability of the house
- Colour tone variations caused by wood structure differences that do not influence wood lifetime
- Wooden details containing (caused by drying) small cracks/gaps that do not pass through and do not influence the structure of the house
- Twisted wooden details if they can nevertheless be installed
- Roof and floor boards that may have on their concealed surfaces some non-planed areas, colour differences and waning
- Complaints resulting from an incompetent manner of the installation of the house or the house subsiding due to an incompetently made foundation
- Complaints caused by introducing self-initiative changes to the house, such as the deformation of wooden details and doors/windows due to an incompetent manner of wood processing; the attachment of storm braces too rigidly, doorframes being screwed onto wall logs, etc.

**The complaints covered by the warranty are satisfied to the extent of replacing the deficient/faulty material. All other demands will be excluded!**



## Garden house painting and maintenance

Wood is a natural material, growing and adapting depending on weather conditions. Large and small cracks, colour tone differences and changes, as well as a changing structure of wood are not errors, but a result of wood growing and a peculiarity of wood as a natural material.

Unprocessed wood becomes greyish after having been left untouched for a while, and can be turn blue and become mouldy. To protect the wooden details of your garden house, you must immediately process them with a wood preservative.

**Attention!**      **The house is supplied without elaborative workmanship. To reduce fire hazard you should use paints or impregnation substances that prevent fire from spreading! Use water-based paints and impregnation substances and avoid solvent-based products!**

**Consult a specialist regarding paints suitable for unprocessed softwood and follow the paint manufacturer's instructions.**

**It is not allowed to cover the product with lacquer or paint on which surface the flame spread rate is higher than 20mm/s.**

When painting, use high quality tools and paints, follow the paint application manual and manufacturer's safety and usage instructions. Never paint a surface in strong sunlight or rainy weather.

After the house assembly is completed, we recommend for the conclusive finishing a weather protection paint that will protect wood from moisture and UV radiation.

- In lengthy periods of dry weather wood can shrink and the screw/bolt spots attachments can become weak. Conduct regular checks and tighten the screws/bolts as necessary (no less frequently than 6 month)! Otherwise the product may become dangerous.
- The suitability of the base material, corrosion of accessories and rotting of wooden parts should be checked once a year. Moving parts must be oiled and worn and/or defective parts should be replaced with parts provided by the manufacturer.
- Be especially attentive when checking barrier and door attachments.
- It is recommended to inspect the house thoroughly once in a year. Regular painting of the house will prolong its useful life substantially.
- You should also check the condition of the roof to discover any leaks as early as possible. Eliminate leaks as you find them to prevent rainwater from damaging the roof and other wooden parts of the house.

**Attention!**      **For repairing the product use only identical details. The specification of the components can be found from the documentation accompanying the house package.**



**We wish you total success with the garden house installation and much joy with this house for many years to come!**

## 2 Installation manual

### Tools and preparation of components

To assemble the garden house, you will need the following tools:



assembly aid



ladder



hammer



water-level



screwdriver



saw



knife



measuring tape



pliers



set of drill



file



adjustable spanner



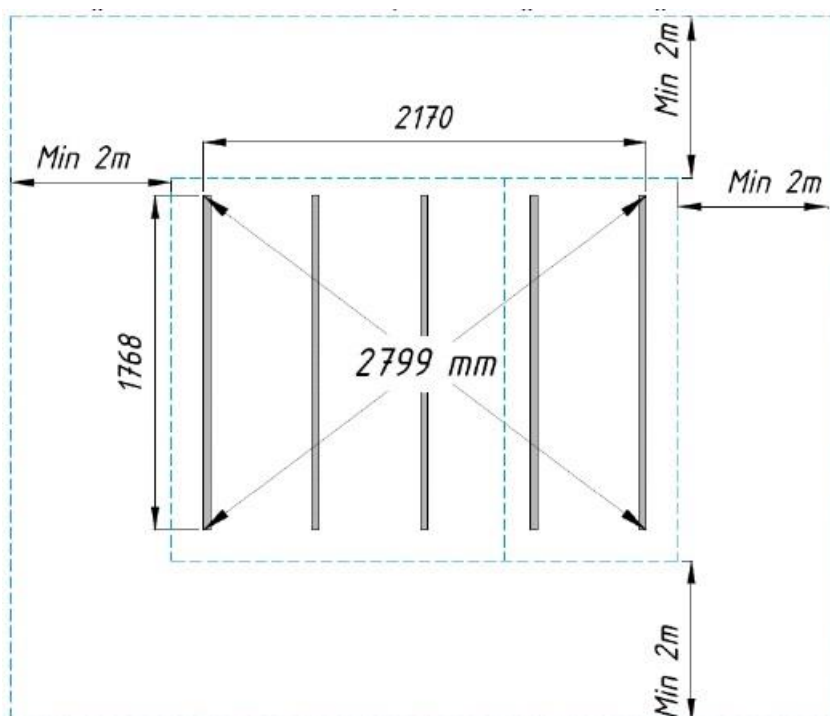
pencil

**ADVICE:** To avoid possible injuries from splinters, we recommend to wear the corresponding protective gloves during the assembly process. To protect your eyes from sawdust, we recommend to wear protective glasses during the assembly process.

Before screwing, please drill hole in order to avoid cracks in the wood.

All projecting screws and sharp edges must be panned smooth immediately after installation to avoid potential injuries.

Level the ground and install the foundation joists according to the drawing below:



# Montage-, Aufbau- und Wartungsanleitung

## Spielhaus ELBD16-2218

Breite 220 x Tiefe 180 cm  
Bohlenstärke 16 mm



### **ACHTUNG:**

Nicht geeignet für Kinder unter 3 Jahren. Quetschgefahr.

Benutzung unter unmittelbarer Aufsicht von Erwachsenen. Sturzgefahr.

Nur für den Hausgebrauch im Freien vorgesehen.

Von Feuer fernhalten.

Bausatz zur Selbstmontage. Der Zusammenbau ist durch einen Erwachsenen vorzunehmen.

Für Kinder ist zur Nutzung durch Kinder im Alter von 3 bis 14 Jahren (maximal 50 kg/Person).

### **Attention!**

- Es ist nicht erlaubt, auf Abgrenzungen und Dach des aufgebauten Hauses zu klettern
- Achtung. Holzteile können Holzsplitter, Risse, scharfe Kanten und Enden haben.
- Benutzung vom Schlafboden: maximal 2 Kinder gleichzeitig!
- Das Dachdeckungsmaterial ist nicht im Lieferumfang enthalten. Vor der Ingebrauchnahme des Hauses sollten Sie ein geeignetes Dachdeckungsmaterial (Bitumenschindeln oder Rollmaterial) beschaffen und dieses entsprechend der Anleitung des Herstellers montieren! Es ist nicht erlaubt, das Haus ohne Dachdeckung im Regen stehen zu lassen, dies würde das Ende der Gewährleistung bedeuten!
- Unbehandelt!

## 1 Montageanleitung



### Sehr geehrter Kunde,

es freut uns, dass Sie sich für unser Gartenhaus entschieden haben!

**Es ist wichtig, diese Aufbauanleitung vollständig durchzulesen, bevor Sie mit dem Aufbau Ihres Blockhauses beginnen!** So vermeiden Sie Probleme und unnötigen Zeitverlust.

#### Tipps:

- Lagern Sie den Bausatz bis zur endgültigen Montage trocken und nicht direkt auf dem Erdboden, geschützt vor Witterungseinflüssen (Nässe, Sonneneinwirkung, etc.). Ware bitte nicht in einem geheizten Raum aufbewahren!
- Bauen Sie das Produkt auf glattem Untergrund auf, mindestens zwei Meter entfernt von jeglicher Baustruktur oder Hindernissen wie Zäunen, Garagen, Häusern, überhängenden Ästen, Wäscheleinen oder Stromleitungen.
- Achten Sie bei der Standortwahl darauf, dass das Blockhaus nicht extremen Witterungsbedingungen (Gebiete mit starkem Wind) ausgesetzt ist, gegebenenfalls sollten Sie das Blockhaus zusätzlich mit dem Fundament verankern.
- Da die Unterbauhölzer sich im direkten Erdkontakt befinden, müssen die unbedingt mit einem geeigneten Holzschutzmittel behandelt werden. Lassen Sie sich ausführlich bei Ihrem Fachhändler über den Holzschutz für unbehandelte Nadelhölzer beraten.



### Gewährleistung

Ihr Haus besteht aus hochwertigem nordischen Fichtenholz und wird unbehandelt geliefert. Wenn es trotz unserer sorgfältigen Werkskontrolle zu Reklamationen kommen sollte, legen Sie Ihrem Fachhändler den ausgefüllten Kontrollschein mit Ihrer Einkaufsrechnung vor!

**WICHTIG: Bitte unbedingt die Dokumentation aufbewahren! Auf dem Kontrollschein finden Sie die Kontrollnummer des Hauses. Es ist möglich die Reklamation nur dann als Garantiefall zu behandeln, wenn Sie die Kontrollnummer Ihrem Fachhändler weitergeben!**

#### Abweichungen die keinen Reklamationsgrund darstellen:

- Holz ist ein Naturprodukt, daher gehören die naturgegebenen Beanstandungen nicht unter Garantie.
- Materialreklamationen werden nicht akzeptiert, wenn bereits ein Anstrich erfolgte!
- Äste die mit dem Holz fest verwachsen sind.
- Holzverfärbungen, ohne das dadurch die Lebensdauer beeinflusst wird.
- Risse /Trockenrisse die nicht durchgehend sind und nicht die Konstruktion beeinflussen.
- Verdrehungen des Holzes vorausgesetzt es lässt sich noch verarbeiten.
- An den nicht sichtbaren Seiten von Dach- und Fussbodenbrettern können die Bretter ungehobelt sein, es können Farbunterschiede und Baumkanten vorkommen.
- Spätere Reklamation durch unsachgemäße Montage, Absacken des Hauses durch unsachgemäße Fundamente und Gründungen sind ausgeschlossen.
- Eigene Veränderungen am Haus wie z.B. Verzug von Bohlen und Fenstern/Türen durch fehlenden Holzanstrich oder Aufbau, die zu starre Befestigung der Sturmleiste, Verschrauben der Türrahmen mit den Blockbohlen usw., sind ausgeschlossen.

**Ansprüche auf Gewährleistung beschränken sich auf den Austausch von fehlerhaftem Material. Alle weiteren Ansprüche sind ausgeschlossen!**





## Anstrich und Pflege

Holz ist ein Naturprodukt und arbeitet unterschiedlich. Merkmale wie grobe und feine Maserungen, Farbschattierungen und Veränderungen sowie Verwachsungen haben Ihren Ursprung im Wuchs des Baumes. Sie sind bei Hölzern, die in der freien Natur wachsen, normal und deshalb nicht als Fehler, sondern vielmehr als Eigentümlichkeit des Naturwerkstoffes Holz anzusehen.

Das unbehandelte Holz wird nach einiger Zeit vergrauen, kann verbläuen und verschimmeln. Um ihr Blockhaus zu schützen, sollten Sie es mit geeigneten Holzschutzmitteln behandeln.

**Achtung!** Das Haus wird unbearbeitet geliefert. Verwenden Sie Farben und Imprägnierungsmittel, die nicht die Ausbreitung von Feuer begünstigen, um die Feuergefahr zu verringern! Verwenden Sie Farben und Imprägnierungsmittel auf Wasserbasis, vermeiden Sie Produkte auf Lösemittelbasis!

Lassen Sie sich ausführlich bei Ihrem Fachhändler über den Holzschutz für unbehandelte Nadelhölzer beraten.

**Der Gebrauch von Farben und Lacken mit Flammenausbreitungsgeschwindigkeit über 20mm/s ist nicht erlaubt.**

Nach dem Aufbau empfehlen wir Ihnen die Aussenhaut (ohne Dach) zu grundieren, sobald diese trocken ist sollten Sie das Haus mit einer Holzlasur streichen, die das Holz vor Feuchtigkeit und UV-Strahlung schützt.

Beim Anstrich benutzen Sie hochwertiges Werkzeug und Farbe, beachten Sie die Sicherheits- und Verarbeitungshinweise des Farbenherstellers. Streichen Sie nie in praller Sonne oder beim regnerischen Wetter.

- Während längerer Trockenzeiten kann sich das Holz zusammenziehen und die Befestigung der Schrauben/Bolzen kann dadurch geschwächt werden. Überprüfen Sie regelmäßig Schrauben und Bolzen und ziehen Sie diese, falls notwendig, nach (nicht seltener als alle sechs Monate)! Anderenfalls kann das Produkt zur Gefahr werden.
- Einmal jährlich muss die Angemessenheit des Unterlagenmaterials, die Korrosion der Beschläge und der Zustand der Holzteile geprüft werden. Die beweglichen Teile sind abzusmieren und verschlissene und/oder defekten Teile durch Originalteile des Herstellers zu ersetzen. Die Bolzen und Seile müssen festgezogen werden.
- Seien Sie besonders aufmerksam, wenn Sie die Halterungen für Abgrenzungen und Tür kontrollieren.
- Wir empfehlen, das Haus einmal im Jahr gründlich zu überprüfen. Ein regelmäßiger Anstrich verlängert die Lebensdauer des Hauses merklich.
- Sie sollten ebenso den Zustand des Dachs überprüfen, um eventuelle Löcher so früh wie möglich zu entdecken. Beseitigen Sie Löcher, sobald Sie diese entdecken, um zu verhindern, dass Regenwasser das Dach und andere Holzteile des Hauses beschädigt.

**Achtung!** Zur Reparatur verwenden Sie ausschließlich identische Ersatzteile. Die Angaben zu den Einzelteilen sind in der Dokumentation zum Hauspaket zu finden.



**Wir wünschen Ihnen nun viel Spass und Erfolg beim Aufbau und jahrelange Freude mit Ihrem Gartenhaus!**

## 2 Aufbauanleitung

### Werkzeuge und Vorbereitung der Details

Beim Aufbau brauchen Sie Folgendes:



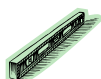
Montagehelfer



Stehleiter



Hammer



Wasserwaage



Schraubenzieher



Säge



Messer



Bandmass



Zange



Bohrer



Feile



Rollgabelschlüssel



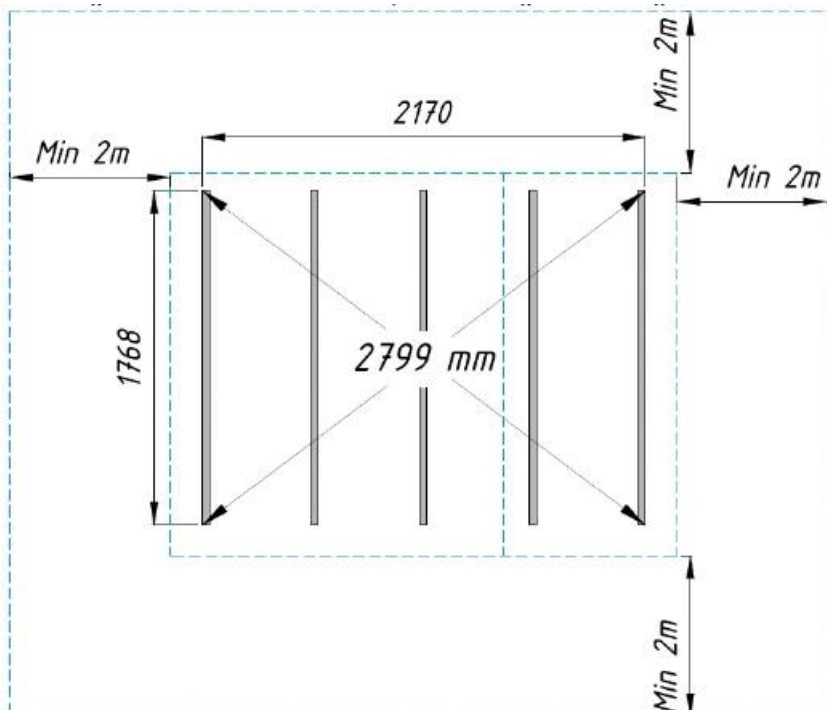
Bleistift

**HINWEIS:** Um Verletzungen durch Splitter zu vermeiden, empfehlen wir während des Aufbaus entsprechende Schutzhandschuhe zu tragen. Um Ihre Augen vor Sägemehl zu schützen, empfehlen wir während des Aufbaus eine Schutzbrille zu tragen.

Vor dem Schrauben bohren Sie bitte ein Loch, um Sprünge im Holz zu vermeiden.

Alle vorstehenden Schrauben und scharfen Kanten müssen unmittelbar nach dem Aufbau geglättet werden, um Verletzungen zu vermeiden.

Ebnen Sie den Untergrund und bringen Sie die Grundhalterungen an, wie auf der Zeichnung unten zu sehen:



# Assemblage, manuel de montage et d'entretien

## Maison de jeu ELBD16-2218

Largeur 220 x Profondeur 180 cm  
Épaisseur des murs 16 mm



### **ATTENTION:**

Ne convient pas aux enfants de moins de 3 ans. Risque d'écrasement.

À utiliser sous la surveillance d'un adulte. Danger de chute.

Réservé à un usage familial à l'extérieur uniquement.

Tenir loin du feu.

Le produit est livré démonté. Assemblage par un adulte requis.

Destiné aux enfants de 3 à 14 ans (max 50 kg/utilisateur).

### **Attention!**

- Il est interdit de grimper sur les barrières et le toit de la maison assemblée.
- Les éléments en bois peuvent présenter des éclats, des extrémités et des bords tranchants.
- La mezzanine supporte le poids de deux enfants !
- Le kit fourni n'inclut aucun matériau de couverture de toit. Avant de commencer à utiliser la cabane, vous devez obtenir un matériau de couverture de toit adapté (bardeaux ou rouleaux bitumeux) et l'installer selon les instructions du fabricant ! Il n'est pas recommandé de laisser la cabane sous la pluie sans couverture de toit et cela annulera la garantie !
- L'abri est livré non peint!

## 1 Assemblage



**Cher client,**

Nous sommes heureux que votre choix se soit porté sur notre maison de jardin !

**Il est important de lire entièrement cette notice de montage avant de commencer la construction de votre maisonnette en poutres !** Vous vous éviterez ainsi des problèmes et des pertes de temps inutiles.

### Conseils :

- Avant son montage définitif, entreposez le kit de construction au sec et pas directement sur la terre, en le protégeant contre les intempéries (humidité, rayonnement du soleil, etc.). Ne pas conserver la marchandise dans un local chauffé !
- Assemblez le produit sur une surface lisse à au moins 2 m de toute barrière ou construction telle que clôture, garage, maison, ainsi qu'en dessous de branches d'arbres, de cordes à linge et de câbles électriques.
- Au moment de choisir l'endroit de montage, veillez à ce que la maisonnette en poutres ne soit pas exposée à des conditions atmosphériques extrêmes (zones exposées à des vents forts). Le cas échéant, il serait bon d'ancrer la maisonnette en poutres dans des fondations.
- Les solives de fondations étant en contact permanent avec le sol, il est nécessaire de les protéger avec un produit spécifique. Faites-vous conseiller de façon détaillée par votre revendeur spécialisé quant à la protection à utiliser pour les conifères non traités.



### Garantie

Votre maisonnette est réalisée en bois d'épicéa nordique de haute qualité et elle vous est livrée non traitée. Si elle devait donner lieu à des réclamations, malgré les soins apportés à notre contrôle en usine, nous vous demandons de remettre à votre revendeur spécialisé le bon de contrôle rempli et votre facture d'achat !

**IMPORTANT : Veuillez impérativement conserver la documentation! Vous trouverez sur le bon de contrôle le numéro de contrôle de la maisonnette. La réclamation ne peut être traitée dans le cadre de la garantie que si vous communiquez le numéro de contrôle à votre revendeur spécialisé !**

Ecarts qui ne constituent pas un motif de réclamation :

- Le bois est un produit naturel, ce qui fait que les réclamations reposant sur des phénomènes naturels ne tombent pas sous le coup de la garantie.
- Les réclamations concernant les matériaux ne sont pas acceptées si une peinture a déjà été appliquée !
- Nœuds qui sont inhérents au bois.
- Décolorations du bois qui n'exercent pas d'influences sur la durée de vie.
- Fissures / fentes de retrait qui ne sont pas traversantes et qui n'exercent pas d'influences sur la construction.
- Déformations du bois, sous réserve qu'il puisse encore être mis en œuvre.
- Sur les faces non visibles des planches du toit et du plancher, il se peut que les planches ne soient pas rabotées, on peut observer des différences de couleur et des flaches.
- Une réclamation tardive résultant d'un montage incorrectement réalisé, d'un affaissement de la maisonnette par suite de fondations et de soubassements incorrectement réalisés, est exclue.
- Une réclamation suite à des modifications apportées de son propre chef à la maisonnette, comme par exemple une déformation des madriers et des fenêtres/portes par suite d'une peinture du bois ou d'une construction insuffisantes, la fixation trop rigide du contreventement, le vissage des dormants sur les madriers, etc., est exclue.

**Les recours en garantie se limitent au remplacement du matériel défectueux. Tous les autres recours sont exclus !**



### Peinture et entretien

Le bois est un produit naturel qui travaille de façon variable. Des caractéristiques telles que les madrures grossières et fines, les nuances de couleurs et les modifications, de même que les imbrications, ont leur origine dans la croissance du bois. Dans le cas de bois qui poussent en pleine nature, ces caractéristiques sont normales et ne doivent par conséquent pas être considérées comme des défauts mais, au contraire, comme une particularité de ce matériau naturel qu'est le bois.

Au bout de quelque temps, le bois non traité prendra une teinte grise, il pourra bleuir et moisir. Pour protéger votre maisonnette en poutres, il convient que vous le traitiez avec des produits de protection du bois appropriés.

**Attention ! La cabane est fournie sans produits élaborés. Pour réduire le risque d'incendie vous devez utiliser des peintures ou des produits d'imprégnation qui empêchent le feu de se propager ! Utilisez des peintures ou des produits d'imprégnation aqueux et évitez les produits à base de solvant ! Faites-vous conseiller de façon détaillée par votre revendeur spécialisé quant à la protection à utiliser pour les conifères non traités.**

**Il n'est pas permis d'appliquer de la peinture et de la laque sur les surfaces où la vitesse de propagation du feu est supérieur à 20mm/s.**

Une fois le montage effectué, nous vous conseillons de revêtir l'extérieur (sans le toit) d'un apprêt. Dès que cet apprêt sera sec, vous devrez revêtir votre maison d'un glacis pour bois qui protégera le bois contre l'humidité et le rayonnement ultraviolet.

Pour la peinture, n'utilisez qu'un outillage et une peinture de haute qualité, et respectez les consignes de sécurité et de mise en œuvre du fabricant de peintures. Ne peignez jamais en plein soleil ou lorsque le temps est à la pluie.

- Lors de longues périodes de temps sec, le bois peut se contracter et les points de fixation des vis/boulons peuvent devenir lâches. Effectuez des vérifications régulières et serrez les vis/boulons comme nécessaire (fréquence jamais supérieure à 6 mois) ! Le produit peut autrement devenir dangereux.
- La compatibilité du matériau de fondation, la corrosion des accessoires et le pourrissement des pièces en bois devraient être vérifiés un fois par an. Les pièces en mouvement doivent être huilées et les pièces défectueuses et/ou usées doivent être remplacées par des pièces fournies par le fabricant. Les écrous et cordes doivent être serrés.
- Faites particulièrement attention lors de la vérification des fixations des barrières et des portes.
- Il est recommandé d'inspecter la maison minutieusement une fois par an. Peindre de manière régulière la maison prolongera grandement sa durée de vie.
- Vous devriez aussi vérifier l'état du toit pour déceler toute fuite le plus tôt possible. Fixez les fuites dès que vous en trouvez pour empêcher l'eau de pluie d'endommager le toit et les autres parties en bois de la maison.

**Attention ! Pour réparer le produit, utilisez uniquement des pièces identiques. Les spécifications des composants peuvent être trouvées dans la documentation accompagnant l'emballage de la maison.**



**Nous vous souhaitons beaucoup de moments heureux, une installation réussie et beaucoup d'années joyeuses dans votre maisonnette !**

## 2 Notice de montage

### Outils et préparation des détails

Pour le montage, vous avez besoin du matériel suivant:



une personne pour vous aider au montage



échelle double



marteau



niveau à bulle d'air



tournevis



scie



couteau



mètre-ruban



pince



foret



lime



clé à molette



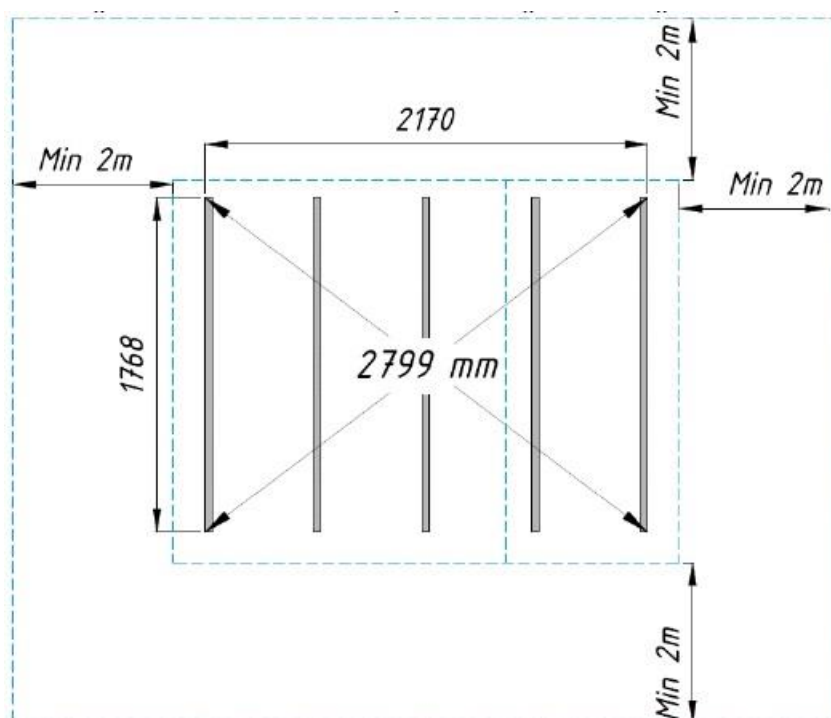
crayon à papier

**CONSEIL** : pour éviter de possibles blessures avec des éclardes, nous recommandons d'utiliser des gants convenables lors de l'assemblage. Pour protéger vos yeux de la sciure, nous recommandons d'utiliser des lunettes de protection lors de l'assemblage.

Avant le vissage, veuillez percer un avant-trou afin d'éviter des fissures dans le bois.

Toutes les vis saillantes et les arêtes vives doivent être rabotées immédiatement après l'installation pour éviter des blessures potentielles.

Nivelez le sol et installez les solives conformément au dessin ci-dessous :



# Montaje, instalación, y mantenimiento

## Caseta infantil ELBD16-2218

Ancho 220 x Profundidad 180 cm  
Espesor de pared 16 mm



### **ADVERTENCIAS:**

No conviene para niños menores de 3 años. Peligro de aplastamiento.

Utilícese bajo la vigilancia directa de un adulto. Riesgo de caída.

Solo para uso doméstico en exteriores.

Mantener lejos del fuego.

¡El producto se entrega sin armar! Se requiere ensamblaje por un adulto.

Destinado a los niños de 3 a 14 años (máx. 50kg/usuario).

### **¡Atención!**

- No se permite subir a las barreras ni al techo de la casa ensamblada.
- Detalles de madera pueden contener pequeñas astillas o bordes afilados y extremos puntiagudos
- El área para dormir soporta un máximo de 2 niños a la vez!
- El paquete no incluye cubierta para el techo. Antes de empezar a usar la casa obtenga un material adecuado para el techo (teja o tela asfáltica) e instálelo según las instrucciones del fabricante. La casa sin techo no se debe dejar bajo la lluvia, esto causaría la anulación de la garantía.
- La casa se entrega sin pintar!

## 1 Manual de montaje



**Estimado cliente,**

¡Nos alegra que haya elegido una casita nuestra!

**¡Por favor, lea atentamente el manual de montaje antes de empezar a armarla!** Esto le evitará problemas y pérdida de tiempo.

### **Recomendaciones:**

- Hasta que empiece a armar la casa mantenga el paquete en su embalaje y en un lugar seco evitando el contacto directo con el suelo, protéjalo de la intemperie (humedad, sol, etc.) ¡No deje el paquete en lugares calientes!
- Ensamble el producto sobre una superficie lisa, a una distancia de al menos 2 m de toda construcción o barrera como vallas, garajes, casas y de superficies sobre las que hay ramas, tendederos y cables eléctricos.
- Al seleccionar la ubicación de la cabaña en su jardín, evite lugares donde quede expuesta a efectos fuertes de la intemperie (nevadas o vientos fuertes), en caso contrario será necesario fijar la casa al suelo (por ejemplo, con anclajes).
- Porque los rastreles de cimentación están constantemente en contacto con el suelo, se tiene que tratarlos con un protector de madera especial. Consulte a un experto en relación a las pinturas para madera áspera de coníferas y siga las instrucciones del fabricante de la pintura.



### **Garantía**

Su casita está hecha de abeto de alta calidad y se entrega al natural (sin pulir). Si, a pesar de nuestras minuciosas inspecciones, descubriese defectos, presente llene la ficha de control y preséntela al vendedor junto con la factura.

**ATENCIÓN: ¡Por favor, conserve la documentación adjunta al paquete! La ficha de control incluye el número de serie de la casita. ¡Sus quejas serán atendidas solamente si suministra al vendedor el número de control de su casita!**

#### La garantía no cubre:

- Peculiaridades naturales de la madera
- Piezas que hayan sido pintadas (tratadas con preservantes)
- Piezas con nudos que no afectan la estabilidad de la casita
- Piezas con diferentes tonos de color debidos a la estructura de la madera y que no afectan su vida útil
- Piezas con pequeñas grietas/fisuras (causadas por el secado) que no atraviesan la pieza y no afectan la estructura de la casita
- Piezas de madera torcidas que pueden ser usadas en la casa
- Tablas del techo o suelo que, en su superficie oculta, puedan tener zonas sin pulir, variaciones de color o desgastes
- Problemas provocados por el montaje incompetente de la casita o hundimiento de la casita debido a cimentación deficiente
- Problemas causados por alteraciones arbitrarias en la casa, como deformación de las piezas de madera o de las ventanas o puertas como consecuencia del tratamiento incompetente de la madera; ajuste excesivo de los ganchos de tormenta, atornillado de los marcos de las puertas a los troncos de las paredes, etc.

**Las reclamaciones por problemas cubiertos por la garantía se limitan a reemplazar los materiales deficientes / defectuosos. ¡No se aceptan otras reclamaciones!**





### **Pintura y mantenimiento de la casa**

La madera es un material natural que crece y se adapta a las condiciones climáticas. Grietas pequeñas o grandes, diferencias y cambios en los matices de colores y sus alternancias estructurales no son fallas, sino resultados del crecimiento y de las características de la madera como material natural.

Con el tiempo la madera sin procesar y sin usar se vuelve gris o azul y criar moho. Proteja su casa tratándola de inmediato con un preservante de maderas.

**¡Atención!** La casa se entrega sin acabado. Use pintura o revestimiento a prueba de fuego para reducir el peligro de incendio. Use pinturas y revestimientos a base de agua, evite los productos a base de solventes. Consulte a un experto en relación a las pinturas para madera áspera de coníferas y siga las instrucciones del fabricante de la pintura.

**No es permitido aplicar a la caseta barniz o pintura en cuya superficie la velocidad de la llama es más de 20mm/s.**

Después de armar la casa recomendamos, para su acabado final, usar pintura protectora para exteriores para evitar daños por humedad y radiación UV.

Al pintar su casa utilice únicamente herramientas y pinturas de alta calidad, siga los manuales de pintura y las instrucciones de seguridad y uso del fabricante. No se debe pintar bajo luz solar intensa o bajo la lluvia. Consulte un especialista sobre pinturas para madera suave no procesada y siga las instrucciones del fabricante de la pintura.

- La madera puede encogerse durante periodos secos prolongados, por lo que los tornillos/pernos pueden aflojarse. ¡Inspeccione la casa regularmente y apriete los tornillos/pernos cuando sea necesario (al menos cada 6 meses)! De lo contrario, el producto puede hacerse peligroso.
- El estado del material de base, la corrosión de los accesorios y las piezas de madera se deben revisar una vez al año. Las partes móviles deben ser engrasadas y las partes desgastadas y/o defectuosas se deben cambiar con repuestos provistos por el fabricante.
- Ponga atención especialmente al revisar las juntas de la barrera y de la puerta.
- Se recomienda inspeccionar la casa completamente una vez al año. El pintado regular de la casa prolongará notablemente su vida útil.
- También se debe revisar el techo lo más temprano posible, por si hay goteras. Tape las goteras cuando las encuentre para evitar que el agua dañe el techo y otras partes de madera de la casa.

**¡Atención!** Use repuestos idénticos para reparar la casa. La información de los componentes se puede encontrar en la documentación provista con la casa.



**¡Le deseamos éxito en el montaje de su casa y que la disfrute por muchos años!**

## 2 Instrucciones de instalación

### Herramientas y la preparación de los componentes

Para montar la casa se necesita lo siguiente:



Ayudante



Escalera



Martillo



Nivel



Destornillador



Sierra



Cuchillo



Metro



Alicate



Taladro



la lima



llace ajustable



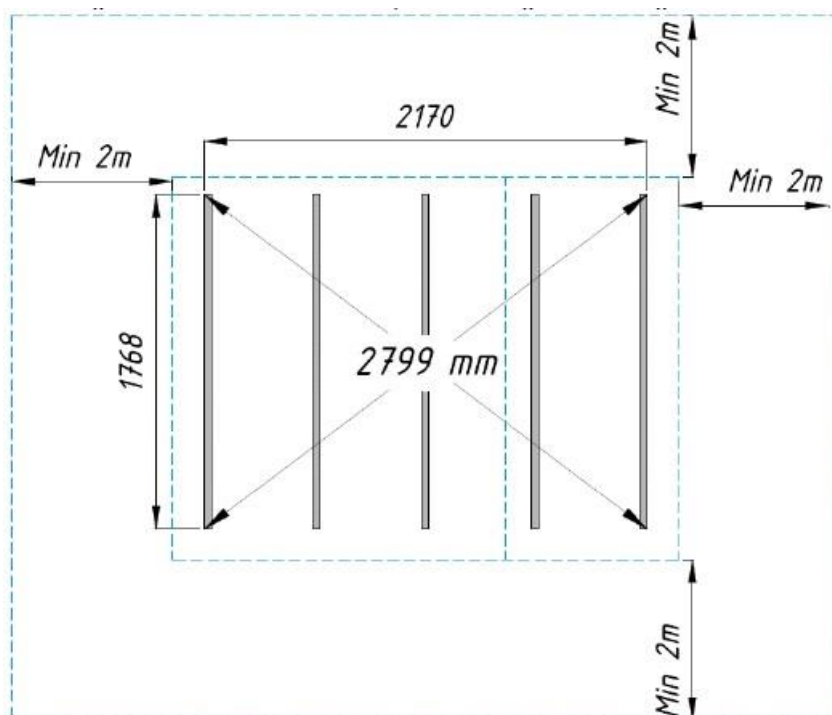
el lápiz

**CONSEJO:** Para evitar lesiones posibles por causa de astillas, recomendamos usar los guantes protectores correspondientes durante el ensamblado. Para proteger sus ojos del aserrín, recomendamos usar gafas protectoras durante el ensamblado.

Haga perforaciones para los tornillos para evitar grietas en la madera.

Todos los tornillos protuberantes y bordes afilados deben ser alisados inmediatamente después de la instalación para evitar el riesgo de lesiones.

Nivele el terreno y coloque las viguetas de soporte según la siguiente ilustración:



# Manuale di montaggio, installazione e manutenzione

## Casetta per bambini ELBD16-2218

Larghezza 220 x Profondità 180 cm  
Spessore delle pareti 16 mm



### **AVVERTENZE:**

**Non adatto a bambini di età inferiore a 3 anni. Rischio di schiacciamento.**

**Da usare sotto la diretta sorveglianza di un adulto. Rischio di caduta.**

**Solo per uso domestico ed esterno.**

**Tenere lontano dal fuoco.**

**Il prodotto viene fornito smontato. Richiesto assemblaggio da parte di un adulto.**

**Destinati ai bambini da 3 a 14 anni (Max 50 kg/bambino).**

### **Importante!**

- **Non è consentito salire sul tetto e sulle transenne della casetta assemblata.**
- **I dettagli in legno possono contenere schegge, bordi ed estremità taglienti.**
- **La zona notte non può essere occupata simultaneamente da più di 2 bambini.**
- **Il kit di montaggio non include il materiale per la copertura del tetto. Prima di cominciare ad utilizzare la casetta procuratevi il materiale adatto alla copertura del tetto (rotolo o lastra di bitume) e montatelo seguendo le indicazioni del produttore! Va assolutamente evitata l'esposizione della**

**casetta priva di copertura del tetto alla pioggia. Tale esposizione comporterebbe la fine della validità della garanzia!**

- **Il prodotto viene fornito non verniciato!**

### 1 Manuale di montaggio



**Gentile Cliente,**

siamo veramente lieti che Lei abbia scelto la nostra casetta di legno per il Suo giardino!

**E' importante leggere accuratamente le istruzioni prima di iniziare con il montaggio della Sua casetta di legno!** In tal modo eviterà qualsiasi problema e perdita di tempo.

#### **Consigli:**

- Conservare il kit in luogo asciutto e non direttamente sul pavimento, protetto da agenti atmosferici (acqua, sole ecc.) fino al montaggio definitivo. Non conservare il prodotto in ambienti riscaldati !
- Assemblare il prodotto su una superficie liscia a distanza di almeno 2 m da qualsiasi costruzione o barriera come steccati, garage, case, rami di alberi, stenditoi e cavi elettrici.
- Nella scelta del luogo di collocamento, fare attenzione che la casetta non sia esposta a condizioni atmosferiche estreme (vento forte); eventualmente ancorare la casetta ulteriormente con le fondamenta.
- Poiché i travetti della base sono in permanente contatto con il terreno devono essere trattati con una sostanza speciale protettiva del legno. Farsi consigliare dettagliatamente dal venditore sulla protezione di legni di conifera non trattati.



**Garanzia**

La vostra casetta è stata realizzata con pregiato legno di abete rosso nordico e viene consegnata in stato non trattato. Qualora, nonostante il nostro accurato controllo in fabbrica, dovessero sorgere reclami, sarà necessario presentare al negoziante il certificato di controllo compilato insieme alla fattura d'acquisto!

**IMPORTANTE: E' assolutamente necessario conservare la documentazione! Sul certificato di controllo è riportato il numero di controllo della casa. Reclami possono essere evasi in garanzia unicamente se comunicherete il numero di controllo al vostro negoziante!**

Divergenze che escludono motivo di reclamo:

- Il legno è un prodotto naturale e pertanto le contestazioni relative allo stato naturale non rientrano nella garanzia.
- Reclami relativi al materiale non vengono accettati una volta verniciato!
- Rami cresciuti nel legno.
- Scolorimenti del legno che non influiscono sulla durata.
- Crepe /fessure non passanti che non compromettono la costruzione.
- Nodi nel legno a condizioni che possa ancora essere lavorato.
- Nei punti invisibili del tavolame tetto e pavimento sono ammesse tavole non piellate; sono inoltre ammesse differenze di colore e spigoli dell'albero.
- Reclami successivi dovuti a montaggio non conforme, cedimento della casetta a causa di fondamenta errate sono esclusi.
- I reclami causati introducendo modifiche proprie alla casetta, p.es. deformazione di tavole e finestre/porte dovute ad un montaggio incompetente, fissaggio troppo rigido del listello antivento, avvitemento dei telai delle porte con le tavole di legno ecc., sono esclusi.

**Le rivendicazioni di garanzia sono limitate alla sostituzione del materiale difettoso. Ogni altra rivendicazione è esclusa!**



### Verniciatura e cura

Il legno è un prodotto naturale e si muove in modo diverso. Caratteristiche quali venature grosse e fini, sfumature di colore e cambiamenti nonché nodi sono dovuti alla crescita dell'albero. Sono del tutto normali nei legni che crescono all'aperto, e pertanto non sono da considerare difetti ma piuttosto una caratteristica del legno naturale.

Il legno non trattato diventa grigio col tempo, può scolorirsi e fare la muffa. Per proteggere la vostra casetta di legno, è consigliabile trattarla con opportuni preservanti per legno.

**Importante!** **La casetta viene fornita senza rifiniture. Per diminuire il rischio di incendi utilizzate vernici o materiale impregnante che ostacolino la diffusione del fuoco! Utilizzate vernici e materiali impregnanti a base di acqua, evitate prodotti che contengano diluenti chimici!**

**Farsi consigliare dettagliatamente dal venditore sulla protezione di legni di conifera non trattati.**

**Non è consentito di utilizzare lacche o vernici che in caso di incendio abbiano una velocità di propagazione della fiamma superiore a 20mm/s.**

Dopo il montaggio, consigliamo di applicare uno strato di fondo sulla pelle esterna (senza tetto), non appena il medesimo si sarà asciugato, verniciare la casetta con una velatura per legno per proteggere il legno dall'umidità e dalle radiazioni UV.

Per la verniciatura, usare attrezzi e vernici di qualità e rispettare le istruzioni di sicurezza e applicazione del produttore della vernice. Non verniciare in pieno sole o in caso di pioggia.

- Dopo lunghi periodi di tempo asciutto, è possibile che il legno si ritiri e i componenti viti/bulloni si allentino. Effettuare regolari controlli e serrare le viti/bulloni se necessario (almeno ogni 6 mesi)! In caso contrario, potrebbero insorgere rischi.
- Almeno un volta all'anno è necessario verificare lo stato del terreno, la presenza di ruggine sulle attrezzature e il deterioramento delle parti in legno. Le parti soggette a movimento devono essere lubrificate e quelle logorate e/o difettose sostituite con parti nuove di ricambio fornite dal fabbricante. Stringere bene viti, dadi e bulloni.
- Controllare con particolare attenzione i componenti di porte e transenne.
- Si raccomanda di ispezionare con cura la casetta almeno una volta all'anno. Una regolare pittura della casa prolunga notevolmente la sua vita utile.
- Controllare anche le condizioni del tetto, al fine di identificare eventuali perdite il più presto possibile. Eliminare le cause delle perdite rilevate, per evitare che l'acqua piovana danneggi il tetto e le altre parti in legno della casetta.

**Importante!** **Per la riparazione, utilizzare solo componenti identici. Le specifiche dei componenti sono definite nella documentazione che accompagna il kit.**



**Vi auguriamo successo nel montaggio della casa e speriamo che la godrete per molti anni!**

## 2 Istruzioni di montaggio

### Attrezzi e preparazione dei particolari

Attrezzi occorrenti:



aiutante



scala doppia



martello



livella a bolla d'aria



cacciavite



sega



coltello



metro



pinza



trapano



lima



chiave inglese



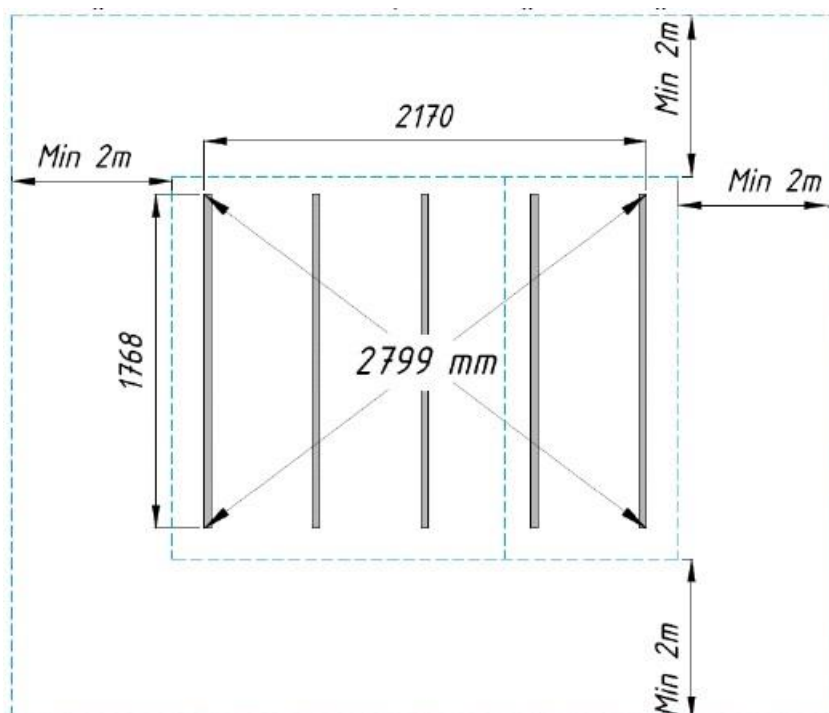
matita

**CONSIGLI:** Per evitare possibili lesioni da schegge, si consiglia di indossare guanti protettivi durante il processo di assemblaggio. Per proteggere gli occhi dalla segatura, si consiglia di indossare occhiali protettivi durante l'assemblaggio.

Eeguire le forature prima di avvitare, per evitare di creare crepe nel legno.

Tutte le viti sporgenti e i profili taglienti devono essere lisciati subito dopo l'installazione per evitare potenziali infortuni.

Livellare il terreno e installare le travi di fondazione come indicato nel disegno qui sotto:



# Handleiding voor montage, installatie en onderhoud

## Speelhuisje ELBD16-2218

Breedte 220 x Diepte 180 cm

Wanddikte 16 mm



### **WAARSCHUWINGEN:**

Niet geschikt voor kinderen jonger dan 3 jaar. Risico van in elkaar drukken.

Gebruiken onder direct toezicht van een volwassene. Risico op vallen.

Uitsluitend voor huishoudelijk gebruik en voor buiten.

Niet bij open vuur houden.

Het product wordt als bouw pakket geleverd. Te monteren door een volwassene.

Bedoeld voor kinderen van 3 tot 14 jaar (max 50 kg/kind).

### **Opmerking!**

- Het is niet toegestaan om op de hekken en het dak van het gemonteerde huis te klimmen.
- Houten versieringen kunnen aan de uiteinden gebreken vertonen evenals scherpe randen.
- Slaapgedeelte mag door maximaal 2 kinderen tegelijk worden gebruikt!
- De geleverde kit bevat geen dakbedekking. Voordat u het huisje begint te gebruiken, moet u een geschikte dakbedekking voorzien (bitumen dakspanen of rollen) en deze volgens de instructies van de fabrikant monteren! Het wordt aanbevolen om dakbedekking op het huisje aan te brengen, anders zal de garantie vervallen.
- Het product wordt onafgemaakt geleverd!

## 1 Montage



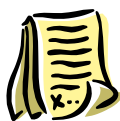
**Geachte klant,**

Wij zijn zeer verheugd dat U beslist heeft in het voordeel van ons tuinhuis!

**Lees deze handleiding aandachtig alvorens te starten met de montage van het tuinhuis!** U zal zo problemen voorkomen en geen tijd verliezen.

### **Aanbevelingen:**

- Bewaar het bouwpakket op een droge plaats tot het volledig gebouwd is, maar niet in direct contact met de grond en beschermd tegen weersomstandigheden (vochtigheid, zonlicht, enz.). Bewaar het pakket niet in een verwarmde ruimte!
- Monteer het product op een gladde ondergrond op ten minste twee meters afstand van andere constructies of hindernissen zoals een hek, een garage, een huis, bovenhangende takken, waslijnen of elektriciteitskabels.
- Wanneer U de locatie kiest voor het tuinhuis, let er dan op dat het enerzijds niet onderhevig is aan extreme weersomstandigheden (plaatsen met zware sneeuwval of winden); anderzijds bevestigt U het huis best (bv. met ankers) aan de ondergrond.
- Aangezien de fundering constant in contact is met de grond moeten deze punten met een speciaal conserveermiddel voor hout worden behandeld. Raadpleeg een specialist met betrekking tot verven die geschikt zijn voor onbewerkt naaldhout en volg de instructies van de verffabrikant.



### **Garantie**

Uw huis is gemaakt van hoogwaardige spar en geleverd in natuurlijke (onbehandelde) vorm. Als, ondanks onze gedegen inspectie, U toch klachten zou hebben, stuur dan het ingevulde controleblad en de aankoopfactuur naar de verkoper..

**OPGELET: Gelieve de bij Uw bouwpakket gevoegde documentatie te bewaren! Het controleblad bevat het controlenummer van Uw tuinhuis. We kunnen enkel klachten behandelen indien U het controlenummer aan Uw verkoper bezorgt!**

#### De garantie dekt niet:

- Eigenaardigheden van hout als natuurlijk materiaal
- Houten reeds geschilderde delen (behandeld met een houtbeschermingsmiddel)
- Knoesten in het hout die de stabiliteit van het tuinhuis niet in het gedrang brengen
- Kleurschakeringen veroorzaakt door verschillen in houtstructuur die de levensduur van het hout niet beïnvloeden.
- Houten afwerkingsstukken (veroorzaakt door het drogen) kleine scheuren en openingen die geen invloed hebben op de structuur van het tuinhuis
- Verwrongen houten afwerkingsstukken, als ze desondanks toch kunnen geïnstalleerd worden.
- Dak- en vloerpanelen die op verborgen plaatsen ongeschaafde plekken, kleurverschillen en tanning kunnen vertonen.
- Klachten voortkomend uit een incompetente wijze van installeren van het tuinhuis of het naastgelegen huis tengevolge van een incompetente fundering.
- Klachten veroorzaakt door het aanbrengen van zelf-geïnitieerde wijzigingen, zoals het vervormen van houten details aan deuren/ramen tengevolge van incompetente behandeling van het hout; aan het tuinhuis, het te vast bevestigen van stormankers, deurlijsten die worden vastgeschroefd aan wand logs, etc.

**De klachten gedekt door garantie zijn beperkt tot het vervangen van gebrekkig/foutief materiaal. Alle andere vragen worden uitgesloten!**





### Tuinhuis, schilderen en onderhoud

Hout is een natuurlijk materiaal, zet uit en past zich aan aan de weersomstandigheden. Grote en kleine scheuren, kleurverschillen en – veranderingen, net als een veranderende houtstructuur zijn geen fouten, maar een resultaat van het uitzetten van het hout en van de aard van het hout als natuurlijk materiaal.

Onbehandeld hout kan grijs worden als het een tijd met rust wordt gelaten, het kan blauw en schimmelig worden. Om de houten details van Uw tuinhuis te beschermen, moet U ze onmiddellijk behandelen met een houtbeschermingsmiddel.

**Opmerking!** Het huisje wordt zonder afwerkingsmateriaal geleverd. Om brandgevaar te verminderen, moet u verf of lakverf gebruiken die voorkomen dat het vuur verspreidt. Gebruik verf en lakverf op waterbasis en vermijd oplosmiddelhoudende producten.

**Raadpleeg een specialist met betrekking tot verven die geschikt zijn voor onbewerkt naaldhout en volg de instructies van de verffabrikant.**

**Het is niet toegestaan om het product te bedekken met lak of verf waarvan het vlamspreidend vermogen hoger is dan 20 mm/s.**

Nadat het tuinhuis volledig is geassembleerd, bevelen we als finale afwerking het aanbrengen van een dekkende verf aan die het hout zal beschermen tegen vocht en UV-straling.

Gebruik bij het schilderen kwaliteitsgereedschap en –verven, Volg de bij de verf geleverde veiligheidsgebruikshandleiding. Schilder nooit een oppervlak in felle zon of bij regenweer.

- Tijdens lange perioden van droog weer kan hout krimpen en de bevestigingsplekken van schroeven of bouten kunnen verzwakken. Voer regelmatige controles uit, tenminste een maal per zes maanden, en draai indien noodzakelijk de schroeven of bouten vaster aan. Wanneer u dit niet doet, kan het product gevaarlijk worden.
- De geschiktheid van de ondergrond, het corroderen van de toebehoren en het rotten van de houten delen moet een maal per jaar worden gecontroleerd. Bewegende delen moeten worden geolied en versleten of kapotte delen moeten worden vervangen door onderdelen die de producent levert.
- Let vooral goed op bevestigingen van hekwerk en deur.
- Het wordt aanbevolen om het huis een maal per jaar grondig te inspecteren. Het regelmatig schilderen van het huis zal de levensduur aanzienlijk verlengen.
- U dient ook de conditie van het dak te controleren om eventuele lekken zo vroeg mogelijk te ontdekken. Herstel een lekkend dak wanneer u dit ontdekt om te voorkomen dat regenwater het dak en andere houten delen van het huis aantast.

**Opmerking!** Gebruik om het product te repareren alleen gelijkwaardige onderdelen. De specificatie van de onderdelen is te vinden in de documentatie die bij het pakket hoort.



**We wensen U alle success met Uw tuinhuismontage en heel veel plezier ermee in de komende jaren!**

## 2 Installatie

### Gereedschappen en voorbereiding van de onderdelen

Om het tuinhuis te monteren, zal U volgende gereedschappen nodig hebben:



montagesteun



ladder



hamer



waterpas



schroevendraaier



zaag



mes



rolmeter



knijptang



boormachine



vijl



verstelbaar moersleutel



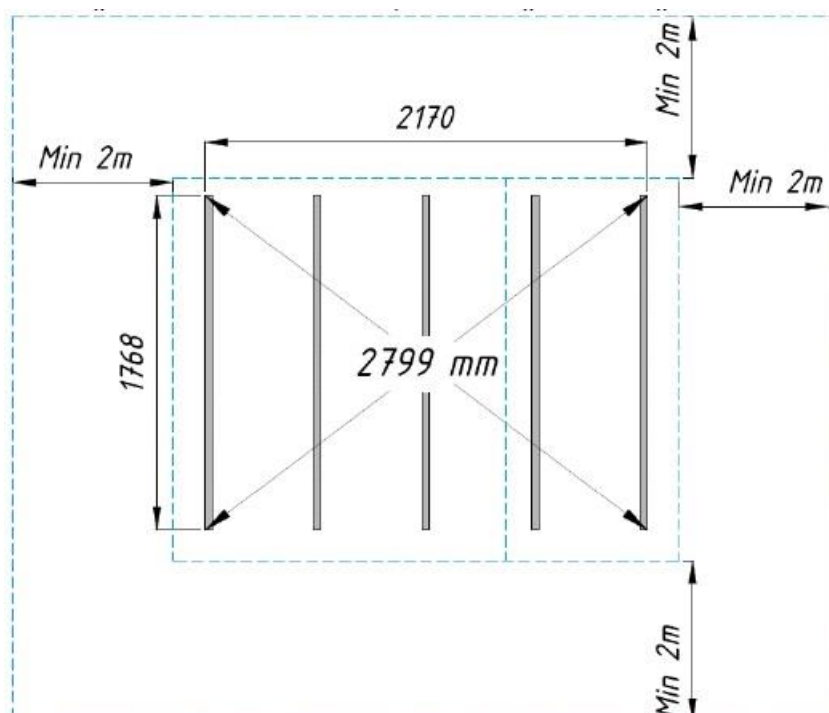
potlood

**ADVIES:** Om mogelijke verwondingen door splinters te voorkomen adviseren wij u om bij de montage beschermende handschoenen te dragen. Om uw ogen te beschermen tegen zaagsel adviseren wij u om bij de montage een veiligheidsbril te dragen.

Boor om splijten van het hout te voorkomen de schroefgaten vóór.

Alle schroeven die uitsteken alsmede scherpe randen moeten meteen na de montage glad worden geschuurd om mogelijke verwondingen te voorkomen.

Maak de bodem waterpas en monteer de funderingsbalken overeenkomstig onderstaande tekening:



# Monterings- og vedlikeholdsmanual

## Lekehus ELBD16-2218

Bredde 220 x Dybde 180 cm  
Veggtykkelse 16 mm



### **ADVARSLER:**

Ikke egnet for barn under 3 år. Klemfare.

Må kun brukes under tilsyn av en voksen. Fallrisiko.

Bare for utendørs privat bruk.

Holdes borte fra åpen ild.

Produktet leveres som byggesett. Montering av voksen påkrevd.

Kun egnet for barn mellom 3 og 14 år (maks. 50 kg).

### **Husk!**

- Det er ikke tillatt å klatre på rekkverk og tak i det ferdigmonterte huset.
- Tredetaljene kan inneholde flis, skarpe kanter og ender.
- Slaapgedeelte mag door maximaal 2 kinderen tegelijk worden gebruikt!
- Byggesettet inneholder ikke taktekke. Skaff egnet taktekke (shingel eller papp) og monter det i henhold til produsentens veiledning før huset tas i bruk! Dersom huset blir stående uten taktekke kan det medføre skade på materialene og vil kunne medføre bortfall av garantiansvar!
- Produktet leveres uferdig.

## 1 Montering



**Kjære kunde,**

det gleder oss at du valgte hagehuset vårt!

**Les monteringsanvisningen grundig før du går i gang med å sette sammen huset!** For å unngå problemer og bruk av unødig tid.

### Anbefalinger:

- La huset være innpakket og oppbevar det på et tørt sted, ikke i direkte kontakt med bakken og godt beskyttet mot vær og vind (fuktighet, solskinn osv.), helt frem til arbeidet påbegynnes. Huspakken må ikke oppbevares i et oppvarmet rom!
- Monter produktet på slett grunn minst 2 m fra andre konstruksjoner og hindre som gjerde, garasje, hus, overliggende greiner, klessnor og elektriske kabler.
- Kontrollerer leveransen mot delelisten for å se om alle delene er inkludert, før du starter monteringen. Sorter delene i samsvar med monteringsanvisningen og legg de fire sidene ut i forhold til monteringsrekkefølgen.
- Ettersom stolpene er i konstant kontakt med bakken og ikke er impregnert må de settes inn med et trebevaringsmiddel. Forhør deg hos en malerspesialist når det gjelder hvilken maling som egner seg for ubehandlet myktré, og følg anvisningene fra produsenten.



### Garanti

Dette huset er fremstilt av høykvalitets gran (furu brukes i enkelte tilfeller) og leveres ubehandlet. Dette huset har gjennomgått en grundig inspeksjon. Dersom du likevel skulle ha grunn til reklamasjon, ber vi deg fylle ut kontrollskjema og sende det sammen med kjøpsbeviset og kvitteringen til forhandleren.

**OBS: Sørg for å oppbevare all dokumentasjon som følger med huspakken! Husets serienummer er oppført på kontrollskjema. Vi kan kun behandle en reklamasjon dersom du sender husets serienummer til forhandleren!**

### Garantien dekker ikke:

- Særegenhet i treverket som et naturlig materiale
- Deler som allerede er behandlet (malt, grunnet)
- Deler av huset som inneholder hele kvister som ikke representerer en fare for husets stabilitet
- Variasjoner i fargetone som er forårsaket av forskjeller i trestrukturen og som ikke har betydning for treverkets levetid
- Deler av huset som sprekker på grunn av tørking, dvs. små sprekker/ riss som ikke er gjennomgående og som ikke påvirker husets struktur
- Deler av vridd tre som likevel kan monteres
- Tak- eller gulvplank som på skjulte overflater kan oppvise uhøvlede områder, fargeforskjeller og vankant
- Reklamasjoner fordi huset er blitt montert på ukyndig måte eller fordi huset siger på grunn av ukyndig utført fundament
- Reklamasjoner fordi det er blitt gjort endringer på huset på eget initiativ, som f.eks. formendringer på deler av tre eller dører/ vinduer. På grunn av ukyndig behandling av treverket; at stormavstivere er festet for stramt, dørkarmer er blitt skrudd inn i veggbord eller lignende.

**Reklamasjonene som dekkes av garantien er begrenset til å omfatte erstatning av manglende/ feil materiale. Alle andre krav er utelukket!**



### Maling og vedlikehold av hagehuset

Tre er et naturlig materiale som beveger og tilpasser seg i forhold til værforholdene. Større eller mindre sprekker, fargeforskjeller og endringer samt ulikheter i treets struktur er ikke feil, men et resultat av treets vekst og en særegenhet i treverket som et naturlig materiale.

Ubehandlet treverk blir grått hvis det blir værende ubehandlet over tid og kan bli blått og begynne å råtne. For å beskytte treverket i hagehuset, må det før montering behandles med grunning.

**Vær oppmerksom! Huset leveres av ubehandlet materiale. Bruk maling eller impregnering som ikke øker faren for brann og brannspredning! Bruk vannbasert maling og impregnering, unngå å bruke produkter som inneholder løsemidler!**

**Forhør deg hos en malerspesialist når det gjelder hvilken maling som egner seg for ubehandlet myktré, og følg anvisningene fra produsenten.**

**Det er ikke tillatt å benytte malingsprodukter hvor eventuell hastighet på flammespredningen er høyere enn 20mm/s.**

Når huset er ferdig montert, må det ferdige huset behandles med et værbestandig malingsstrøk utvendig som beskytter treverket mot fuktighet og UV-stråler.

Bruk maleredskaper og maling/ beis av høy kvalitet når du maler huset. Følg anvisningene på spannet og produsentens sikkerhets- og bruksanvisninger. Du må aldri male en overflate i sterkt sollys eller i regnvær.

- Trevirke kan krympe ved langvarig tørt vær og skruer/bolter kan løsne. Sjekk regelmessig og etterstram dersom nødvendig (minst hver 6. måned)! Ellers kan det medføre fare.
- En gang i året skal man sjekke underlagets tilstand, tilbehørets korrosjon og at tredelene ikke råtner. Bevegelige deler skal smøres med olje og slitte og/eller defekte deler bør byttes ut med deler levert av produsenten.
- Vær spesielt nøye med sjekking av rekkverk og dørbeslag.
- Det anbefales å sjekke huset grundig en gang i året. Regelmessig maling av huset vil forlenge dets levetid betydelig.
- Du bør også sjekke takets tilstand for å oppdage eventuelle lekkasjer så tidlig som mulig. Reparer lekkasjer med en gang du finner dem for å unngå at regnvann skader taket og andre tredeler i huset.

**Vær oppmerksom! Bruk kun identiske deler ved reparasjon av huset. Spesifikasjon av deler finnes i dokumentasjonen som er inkludert i leveransesettet.**



**Vi ønsker deg lykke til med det nye hagehuset og håper du får glede av det i mange år!**

## 2 Installasjonveiledning

### Verktøy og forberedelse før montering

Du trenger følgende verktøy ved montering:



monteringshjelp



stige



hammer



vater



skrutrekker



sag



kniv



målebånd



avbiter tang



drill



fil



skiftenøkkel



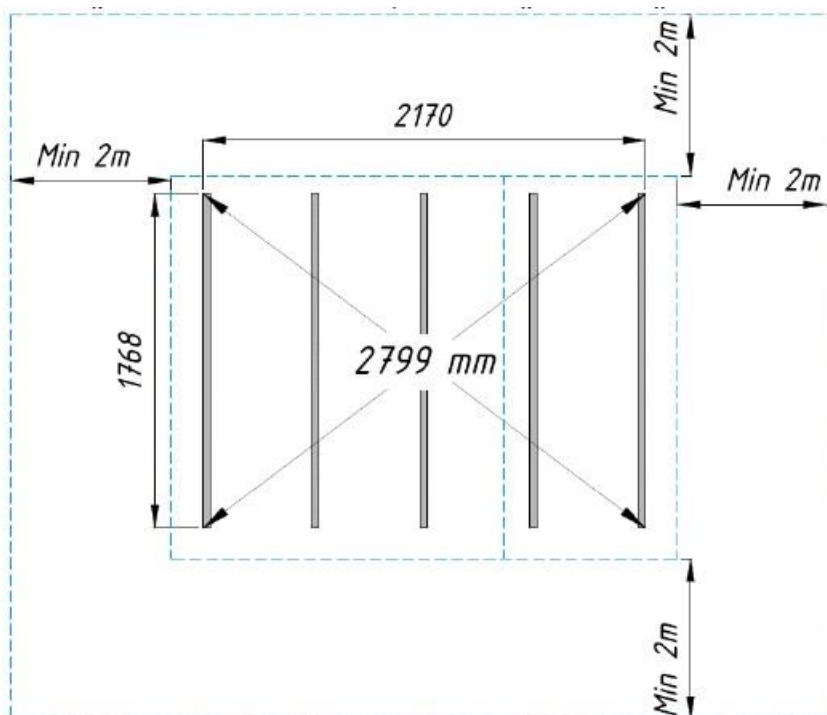
blyant

**ANBEFALING:** Vi anbefaler deg å ta på vernehansker under montasjearbeidet for å unngå mulige flisskader. Vi anbefaler også bruk av vernebriller under montasjearbeidet for å beskytte øynene fra sagflis.

Vennligst bor hull før skruing for å unngå sprekker i trevirke.

Alle skruer skal forsenkes inn i trevirke og skarpe kanter skal slipes ned umiddelbart etter montasje for å unngå eventuelle skader.

Jevn ut grunnen og monter grunnmursdragere i henhold til tegningen nede:



# Vejledning for montering og vedligehold

## Legehus ELBD16-2218

Bredde 220 x Dybde 180 cm  
Vægtykkelse 16 mm



### **ADVARSLER:**

Ikke egnet for børn under 3 år. Risiko for trykskade.

Må kun anvendes under opsyn af en voksen. Risiko for fald.

Kun til udendørs privat brug.

Må ikke anvendes i nærheden af åben ild.

Produktet leveres usamlet. Samling skal foretages af en voksen.

Beregnet til børn mellem 3 og 14 år (max. 50 kg/person).

### **Opmærksomhed!**

- Det er ikke tilladt at klatre på rækværk og tag på det monterede hus.
- Dele af træ kan indeholde splinter eller skarpe ender og kanter.
- Sovearealet må ikke bruges af flere end 2 børn samtidigt!
- Der medfølger intet tagdækningsmateriale. Inden du begynder at anvende huset, skal du anskaffe passende tagdækningsmateriale (tagpap i ruller eller fliser) og montere det i henhold til producentens anvisninger. Det anbefales ikke at efterlade huset uden tag i regnvejr, da garantien dermed bortfalder!
- Produktet leveres umalet!

## 1 Generelt



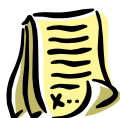
**Kære kunde,**

Tak fordi du valgte vores havehus!

**Venligst læs hele monteringsvejledning igennem før du går i gang** for at undgå unødvendig tidsspilde og problemer!

### Rekomendacje

- Opbevar pakken med havehuset tørt, beskyttet mod vejr og vind og ikke direkte på jordoverfladen indtil monteringen er afsluttet. Pakken må ej heller være i nærheden af en varmekilde.
- Saml produktet på en jævn overflade mindst 2 m fra bygning eller anden hindring som f.eks. hegn, garage, hus, overhængende grene fra træer, tørresnore og elektriske ledninger.
- Ved placeringen af havehuset vær opmærksom på, at huset ikke kommer til at stå i ekstreme vejrforhold (stærk vind, meget sne i.lign.), i så fald skal huset fæstnes med passende ankere til grunden.
- Eftersom bjælkelaget er i konstant kontakt med jordoverfladen, skal det behandles med særlig træbeskyttelse. Hør med en specialist om hvilke typer maling, der er passende til ubehandlet nåletræ og følg producentens vejledning.



### Garanti

Havehuset er fremstillet af højkvalitativ grantræ og leveres i ubehandlet stand. Hvis der på trods af vores grundig kvalitetskontrol skulle være klager eller mangler ved huset, skal disse indgives til sælgeren sammen med udfyldt kontrolskema og indkøbskvittering.

**OBS: Venligst opbevar vedlagte dokumentation til havehuset! Husets kontrolnummer fremgår af kontrolskemaet. Klager kan kun indgives hvis I oplyser kontrolnummeret til sælgeren.**

Garantien omfatter ikke følgende:

- Ujævnheder og afvigelser grundet træets naturlige egenskaber
- Detaljer som allerede er behandlet med træbeskyttelse
- Detaljer som indeholder hele knaster der ikke påvirker husets stabilitet
- Afvigelser i træets farvenuancer som ikke påvirker træets levetid
- Detaljer som indeholder små sprækker opstået ved tørning der ikke er gennemgående og som ikke påvirker husets konstruktion
- Trædetaljer med skævhed, der stadig kan monteres
- Tag- og gulvbrædder, der indeholder uhøvlede pletter, farveafvigelser eller andre pletter i ikke synlige steder
- Klager der opstået pga. ukyndig montering af huset eller ved placeringen af huset på et ukorrekt udført fundament
- Klager, der er opstået pga. egne tiltag eller ændringer ved huset, såsom skævhed af trædetaljer, døre og vinduer pga ukyndig behandling af træet; stormlisternes for stram montering; dørkarme fastmonteret i vægdetaljer o.lign.

**Garantien udøves ved at ombytte den fejlbehæftede element med en ny. Alle andre krav tilgodeses ikke!**





### Havehusets maling og vedligeholdelse

Træ er et naturmateriale, der bevæger sig afhængigt af vejrforhold. Små og store sprækker, farveafvigelser og ændringer, samt ændret træstruktur er ikke fejl, men træets egenskaber som naturmateriale.

Ubehandlet træ (undtagen fundamentalsprosser) ændres efterhånden til gråligt, kan endda blive blåligt og muggent. For at beskytte dit havehus og dens trædele bedst, skal du så hurtigt som muligt behandle træet med træbeskyttelse.

**OBS! Huset leveres uforarbejdet. For at reducere brandfaren bør du anvende maling eller træbeskyttelse, som reducerer risikoen for, at en brand kan sprede sig! Brug vandbaseret maling og træbeskyttelse og undgå produkter, der er baseret på opløsningsmidler!**

**Rådfør dig med en specialist i maling af uforarbejdet nåletræ og følg producentens anvisninger.**

**Det er ikke tilladt at behandle produktet med lak eller maling, der har en flammespredningsrate på overfladen, som er højere end 20mm/s.**

Efter monteringen af huset anbefaler vi brugen af en passende maling for at beskytte ydersiden mod vejr, vind og UV-stråling.

Brug højkvalitative redskaber og maling under malingsarbejdet, følg instruktioner og anbefalinger fra malingsproducenten. Mal aldrig i direkte sollys eller i regnvejr. Søg tips og råd hos din malingsforhandler og følg deres instruktioner.

- Lange perioder med tørt vejr kan få træet til at trække sig sammen, og de steder, hvor der er fastgjort skruer eller bolte, kan miste deres styrke. Kontroller regelmæssigt og stram skruer/bolte efter behov (mindst hver sjette måned)! Ellers kan produktet være farligt at anvende.
- Underlagets egnethed, korrosion af udstyr og råd i træværk bør tjekkes mindst en gang årligt. Bevægelige dele skal smøres og slidte og/eller defekte dele udskiftes med dele, som er leveret af producenten.
- Vær især nøje med kontrollen af rækværk og dørindføjning.
- Det anbefales at gennemgå huset grundigt en gang årligt. Regelmæssig maling af huset vil forlænge dets levetid betragteligt.
- Du bør også kontrollere taget med henblik på at afsløre lækager så tidligt som muligt. Tæt lækager med det samme, når du finder dem, for at undgå, at regnvand beskadiger taget eller andre trædele i huset.

**OBS! Brud kun identiske dele til reparation af produktet. Specifikationen for komponenterne findes i den dokumentation, der medfølger sættet.**



**Pøj-pøj med monteringen af Dit nye havehus! Vi håber, I får glæde af det mange år frem i tiden!**

## 2 Vejledning for montering

### Redskaber og forberedelse af alle elementer

For monteringen har du brug for følgende redskaber og værktøj:



en hjælper



stige



hammer



vatterpass



skruetrækker



sav



kniv



målebånd



tang



boremaskine



fil



skiftenøgle



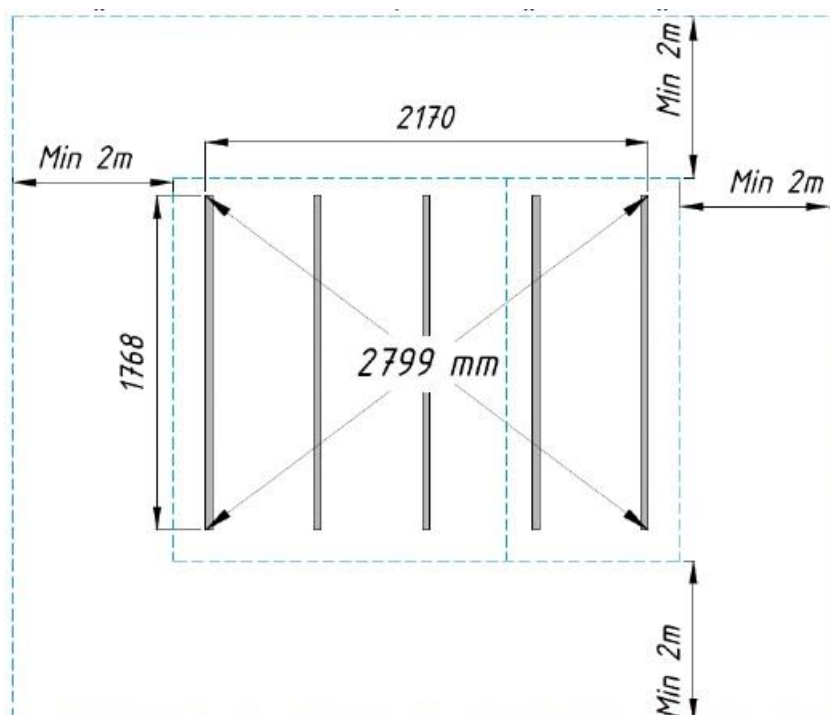
blyant

**BEMÆRK:** For at undgå skader fra splinter anbefaler vi at anvende passende beskytteshandsker under monteringen. Vi anbefaler at anvende beskyttelsesbriller under monteringen for at beskytte dine øjne mod savspåner.

For at undgå sprækker i træet bør du forbore, inden du skruer skrue i.

Alle udstående skrue og skarpe kanter skal slibes ned umiddelbart efter monteringen for at undgå mulige skader.

Gør grunden plan og monter bjælkelaget, som det fremgår af tegningen nedenfor:



# Kokoamis-, asennus- ja huolto-ohje

## Leikkimökki ELBD16-2218

Leveys 220 x Syvyys 180 cm  
Seinän paksuus 16 mm



### **VAROITUKSET:**

Ei alle 3-vuotiaille lapsille. Litistymisvaara.

Lelua saa käyttää vain aikuisen välittömässä valvonnassa. Kaatumisvaara.

Ainoastaan kotikäyttöön ulkotiloissa.

Varo avotulta.

Tuote toimitetaan osina. Aikuisen koottava.

Tarkoitettu 3–14-vuotiaille lapsille (enintään 50 kg).

### **Huomio!**

- Kootun mökin kaiteilla ja katolla ei saa kiipeillä.
- Puuosista saattaa irrota tikkuja, ja niissä voi olla teräviä reunoja.
- Nukkumatilassa saa olla kerrallaan enintään 2 lasta!
- Toimitus ei sisällä katon katemateriaalia. Ennen mökin käytön aloittamista sopiva katemateriaali (bitumipaanu tai huopa) tulee ostaa ja asentaa valmistajan ohjeiden mukaisesti! Mökkiä ei tule jättää sateeseen ilman katemateriaalia, sillä se johtaa takuun raukeamiseen!
- Tuote toimitetaan maalaamattomana!

## 1 Kokoamisohje



**Hyvä asiakas,**

Olemme iloisia, että valintasi kohdistui tuotteeseemme!

**Ole hyvä ja lue kokoamisohje huolellisesti ennen pystytyksen aloittamista!** Tämä auttaa välttämään ongelmia ja säästää aikaa.

### **Suosituksia:**

- Säilytä pystytystä odottava mökkipaketti kuivassa paikassa, joka ei ole suorassa kosketuksessa maan kanssa, ja säältä suojassa (kosteus, aurinko jne.). Älä pidä pakettia lämmitetyssä tilassa!
- Kokoa tuote tasaisella alustalla vähintään 2 metrin päässä mistä tahansa rakenteesta tai esteestä, kuten aita, autotalli, talo, yläpuolella olevat puunoksot, pyykkinarut ja sähköjohdot.
- Valitessasi mökille paikkaa varmista, ettei se tule joutumaan alttiiksi äärimmäisille sääoloille (voimakkaalle lumentulolle tai koviille tuulille); muuten se tulee kiinnittää (esim. ankkureilla) maaperään.
- Koska lattiapalkit ovat jatkuvassa kosketuksessa maan kanssa, ne tulee käsitellä erityisellä puunkyllästysaineella. Kysy asiantuntijalta käsittelemättömälle havupuulle sopivista maaleista ja noudata maalinvalmistajan ohjeita.



### **Takuu**

Mökkisi on valmistettu korkealuokkaisesta kuusesta ja toimitetaan luonnollisessa (käsittelemättömässä) muodossa. Mikäli perusteellisesta tarkastuksestamme huolimatta sinulla on tuotteesta huomautettavaa, ole hyvä ja toimita täytetty valvontailmoitus ja ostolasku tuotteen myyjälle.

**HUOM! Muista säilyttää mökkipaketin mukana tulevat asiakirjat! Valvontailmoituksessa on tuotteen valvontanumero. Mahdollisten valitusten käsittely edellyttää, että mökin valvontanumero ilmoitetaan myyjälle!**

Takuu ei kata seuraavia:

- Puun erikoispiirteet luonnonmateriaalina
- Puuosat, jotka on jo maalattu (käsitelty kyllästysaineella)
- Puuosien oksakohdat silloin, kun ne eivät vaaranna mökin vakautta
- Puun rakenteesta johtuvat sävyerot, jotka eivät vaikuta puun kestävyYTEEN
- Puuosissa olevat (kuivumisen aiheuttamat) pienet halkeamat/raot, jotka eivät mene puun läpi, eivätkä vaikuta talon rakenteeseen
- Taipuneet puuosat, jotka voidaan kaikesta huolimatta asentaa
- Katto- ja lattialaudat, joiden piiloon jäävällä puolella saattaa olla höyläämättömiä kohtia, värieroja tai vajaasärmiiä
- Valitukset, jotka johtuvat mökin virheellisestä pystytyksestä tai puutteellisen perustuksen aiheuttamasta vajoamisesta
- Valitukset, jotka johtuvat mökkiin oma-aloitteisesti tehdyistä muutoksista, kuten taitamattomasta käsittelystä johtuva puuosien ja ovien/ikkunoiden vääntyminen; jäykisteiden liian tiukka asentaminen, ovenkarmien ruuvaaminen seinäpuihin yms.

**Takuun piiriin kuuluvat huomautukset hoidetaan vaihtamalla viallinen/väärä materiaali uuteen. Muita mahdollisia vaateita ei huomioida!**



## Mökin maalaaminen ja huolto

Puu on luonnonmateriaali, joka laajenee ja elää sääolojen mukaan. Pienet ja suuret raot, värisävyerot ja -muutokset sekä puun rakenteen vaihtelu eivät ole virheitä, vaan ne johtuvat puun laajenemisesta ja luonnonmateriaalin ominaisuuksista.

Käsittämätön puu muuttuu ajan myötä harmahtavaksi, ja saattaa sinertyä ja homehtua. Tämän vuoksi mökin puuosat tulee välittömästi suojata kyllästysaineella.

**Huom!** Talo toimitetaan ilman koristuksia. Palovaaraa vähentääksesi käytä maaleja tai kyllästeitä, jotka estävät tulta leviämästä! Käytä vesiliukoisia maaleja ja yllästeitä, ja vältä liuotinpohjaisia tuotteita!

**Kysy asiantuntijalta käsittelemättömälle havupuulle sopivista maaleista ja noudata maalinvalmistajan ohjeita.**

**Tuotetta ei tule käsitellä lakalla tai maalilla, jonka pinnan liekinleviämisnopeus on yli 20 mm/s.**

Mökin pystytyksen jälkeen se kannattaa käsitellä kauttaaltaan sään vaikutuksilta suojaavalla maalilla, joka suojaa puuta kosteudelta ja UV-säteilyltä.

Maalatessa käytä laadukkaita työvälineitä ja maaleja, noudata maalausohjetta sekä valmistajan turvallisuus- ja käyttöohjeita. Älä koskaan maalaa suorassa auringonpaisteessa tai sateella. Kysy asiantuntijalta käsittelemättömälle havupuulle sopivista maaleista ja noudata maalinvalmistajan ohjeita.

- Pitkään jatkuvalla kuivalla säällä puu voi kutistua ja ruuvit/pultit voivat löystyä. Suorita säännöllisiä tarkastuksia ja kiristä ruuvit/pultit tarvittaessa (vähintään 6 kuukauden välein)! Muussa tapauksessa tuotteesta voi tulla vaarallinen.
- Kerran vuodessa on tarkastettava alustan materiaalin kuntoa, osien ruostumista ja puuosien lahoamista. Liikkuvat osat tulee öljytä ja kuluneet tai vioittuneet osat vaihtaa uusiin. Pultteja ja köysiä täytyy kiristää tarvittaessa.
- Kiinnitä erityistä huomiota kaiteisiin ja oven heloihin.
- Mökki kannattaa tarkastaa huolellisesti kerran vuodessa. Mökin säännöllinen maalaaminen pidentää sen käyttöikää huomattavasti.
- Tarkasta myös katon kunto löytääksesi vuodot mahdollisimman aikaisessa vaiheessa. Paikkaa löytämäsi vuotokohta heti, jotta sadevesi ei pääse vaurioittamaan kattoa ja muita mökin puuosia.

**Huom!** Käytä tuotteen korjaamiseen vain samanlaisia osia. Osaluettelo on mökkipaketin mukana tulevien asiakirjojen joukossa.



**Toivotamme menestystä mökin kokoamisessa ja kosolti iloa sen parissa tulevina vuosina!**

## 2 Asennusohje

### Työkalut ja osien valmistelu

Mökin pystyttämisessä tarvitaan seuraavia työkaluja:



apulainen



tikkaat



vasara



vatupassi



ruuvimeisseli



saha



veitsi



rullamitta



pihdit



pora



viila



jakoavain



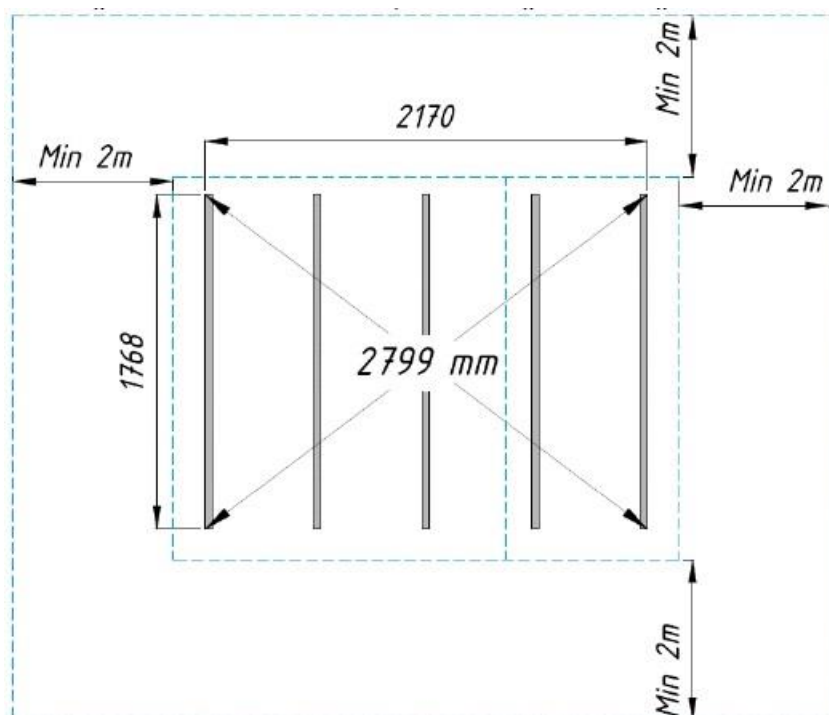
lyijykynä

**NEUVO:** Asennuksen yhteydessä on suositeltavaa käyttää asianmukaisia suojakäsineitä, jotta sormiin ei mene tikkuja. Myös suojalasien käyttö asentamisen yhteydessä on suositeltavaa, jotta silmiin ei joudu sahajauhoa.

Poraa ennen ruuvaamista esireikä, joka auttaa vähentämään puun halkeilua.

Kaikki ulkonevat ruuvit ja terävät reunat tulee hioa tasaiseksi heti asennuksen jälkeen mahdollisten vammojen ehkäisemiseksi.

Tasoita alusta ja asenna lattiapalkit alla olevan piirustuksen mukaan:



# Monterings-, installations- och underhållsmanual

## Lekstuga ELBD16-2218

Bredd 220 x Djup 180 cm  
Vägg tjocklek 16 mm



### **VARNINGAR:**

Inte lämplig för barn under 3 år. Risk för att klämma sig.  
Ska användas under tillsyn av vuxen. Barnet kan falla av.  
Endast för hemmabruk utomhus.  
Använd inte nära öppen låga.  
Produkten levereras omonterad. Montering av en vuxen krävs.  
Lämplig för barn från 3 till 14 år (max. 50 kg/användare).

### **Se upp!**

- Det är inte tillåtet att klättra på det monterade husets räcken och tak.
- Trädetaljer kan ha grova ytor, vassa kanter eller spetsiga ändar.
- Sovutrymmet får inte användas av fler än två barn samtidigt!
- Den levererade byggsatsen innehåller inte något takbeläggingsmaterial. Innan du börjar använda huset måste du skaffa ett lämpligt tackbeläggingsmaterial (shingel eller papp av bitumen) och montera detta enligt tillverkarens anvisningar! Man bör inte låta huset stå utomhus i regn utan tackbeläggning, detta upphäver garantin!
- Produkten levereras obehandlad!

## 1 Monteringsmanual



**Bäste kund,**

Vi är glada för att du valt att skaffa ett trädgårdshus från oss!

**Vänligen läs monteringsanvisningarna noggrant innan du påbörjar monteringen av huset!** Du undviker därigenom problem och spillar ingen tid.

### Rekommendationer:

- Förvara husets förpackning, tills det är färdigmonterat, på en torr plats, men inte i direkt kontakt med marken, skyddad från väder och vind (fukt, solljus, etc.). Förvara inte husets förpackning i ett uppvärmt utrymme!
- Montera produkten på ett jämnt underlag, minst två meter från någon konstruktion eller hinder så som staket, garage, hus, ovanför belägna trädgrenar, klädsträck eller elektriska ledningar.
- När du väljer plats för trädgårdshuset, försäkra dig om att huset inte utsätts för extrema väderförhållanden (områden med kraftigt snöfall eller vindar); i så fall bör du förankra huset (till exempel med jordankare) i marken.
- Eftersom grundsyllarna ständigt har kontakt med marken måste dessa vara behandlade med ett specialmedel för träimpregnering. Rådgör med en specialist om färger som lämpar sig för obehandlat barrträ och följ färgtillverkarens anvisningar.



### Garanti

Ditt hus är tillverkat av gran av hög kvalitet och levereras i naturlig (obehandlad) form. Om du, trots vår noggranna besiktning, skulle ha några reklamationer, vänligen skicka den ifyllda kontrollblanketten och inköpsbeviset till vår återförsäljare.

**SE UPP! Vänligen se till att behålla dokumentationen tillsammans med husets förpackning!  
Kontrollblanketten innehåller husets kontrollnummer. Vi kan enbart granska reklamationer om du skickar med husets kontrollnummer till återförsäljaren!**

### Garantin omfattar inte:

- Egenheter för trä som ett naturmaterial.
- Redan målade trädetaljer (behandlade med träskyddsmedel)
- Trädetaljer som innehåller hela kvistar som inte äventyrar husets stabilitet
- Variationer i färgton orsakade av olikheter i träets struktur som inte påverkar träets livslängd
- Trädetaljer som innehåller mindre sprickor/spalter (orsakade av torkning) som inte är genomgående och inte påverkar husets konstruktion
- Skeva trädetaljer som ändå går att montera
- Tak och golvbrädor som på sina dolda ytor kan ha vissa ohyvlade områden, färgskiftningar och -mattning
- Reklamationer på grund av oskicklig montering av huset eller sättningskador på grund av en felaktigt uppförd grund
- Reklamationer orsakade av egna ändringar av huset, så som deformation av trädetaljer och dörrar/fönster på grund av ett oskickligt tillvägagångssätt vid montering av trädetaljer; fastsättning av stormbeslag för styvt, dörrkarmar som skruvas i väggreglar, mm.

**Reklamationer som omfattas av garantin tillgodoses i den omfattningen att det bristfälliga/felaktiga materialet ersätts. Alla andra anspråk lämnas utan åtgärd!**





## Målning och underhåll av trädgårdshus

Trä är ett naturmaterial som växer och anpassar sig efter väderförhållanden. Större och mindre sprickor, förändringar och skiftningar i färgton, samt även förändringar i träets struktur är inte felaktigheter, utan ett resultat av träets tillväxt och egenheter för trä som ett naturmaterial.

Obehandlat trä blir gråaktiga efter att ha lämnats orörda ett tag, de kan bli blå och börja mögla. För att skydda trädetaljer på ditt trädgårdshus måste du omedelbart behandla dem med träskyddsmedel.

**Se upp!** Huset levereras inte i slutbehandlat utförande. För att minska brandrisken bör du använda färger eller skyddsmedel som hindrar brand från att sprida sig! Använd vattenbaserade färger och skyddsmedel och undvik ösningsmedelbaserade produkter!

**Rådgör med en specialist om färger som lämpar sig för obehandlat barrträ och följ färgtillverkarens anvisningar.**

**Det är inte tillåtet att betryka produkten med lack eller färg vars flamspridningshastighet är högre än 20mm/s.**

Efter att huset är färdigmonterat, rekommenderar vi att slutbehandla det med en väderbeständig färg som skyddar träet från fukt och UV-strålning.

Använd redskap och färg av bra kvalitet vid målningen, följ användaranvisningen för färgen samt tillverkarens säkerhets- och användarinstruktioner. Måla aldrig en yta i starkt solljus eller vid regnväder. Rådgör med en specialist om färger som lämpar sig för obehandlat barrträ och följ färgtillverkarens anvisningar.

- Vid längre perioder med torr väderlek kan trä krympa och skruv/bultförband försvagas. Utför regelbundna kontroller och dra åt skruvar/bultar om nödvändigt (inte mer sällan än var 6:e månad)! Annars kan produkten bli riskfylld.
- En gång om året skall underlagsmaterialets lämplighet, tillbehörens korrosion och eventuell ruttnad av trädelar kontrolleras. Rörliga delar måste smörjas samt slitna och/eller defekta delar måste bytas ut mot tillverkarens reservdelar. Skruvar och rep måste efterdras och spännas.
- Var speciellt uppmärksam vid kontroll av räcken och dörrinfästningar.
- Huset bör besiktigas noggrant en gång om året. Regelbunden målning av huset förlänger avsevärt dess livslängd.
- Du bör dessutom kontrollera takets tillstånd för att upptäcka eventuella läckage så tidigt som möjligt. Åtgärda läckage direkt när de påträffas för att förhindra att regnvatten skadar taket och andra trädelar av huset.

**Se upp!** Använd enbart identiska detaljer vid reparation av huset. En komponentlista återfinns i den dokumentation som medföljer huspaketet.



**Vi önskar dig lycka till med monteringen av trädgårdshuset och mycket glädje i många år framåt!**

## 2 Installationsmanual

### Verktyg och förberedelse av komponenter

För att montera trädgårdshuset behöver du följande verktyg:



monteringshjälp



stege



hammare



vattenpass



skruvmejsel



såg



kniv



måttband



tång



set of drill



fil



skiftnyckel



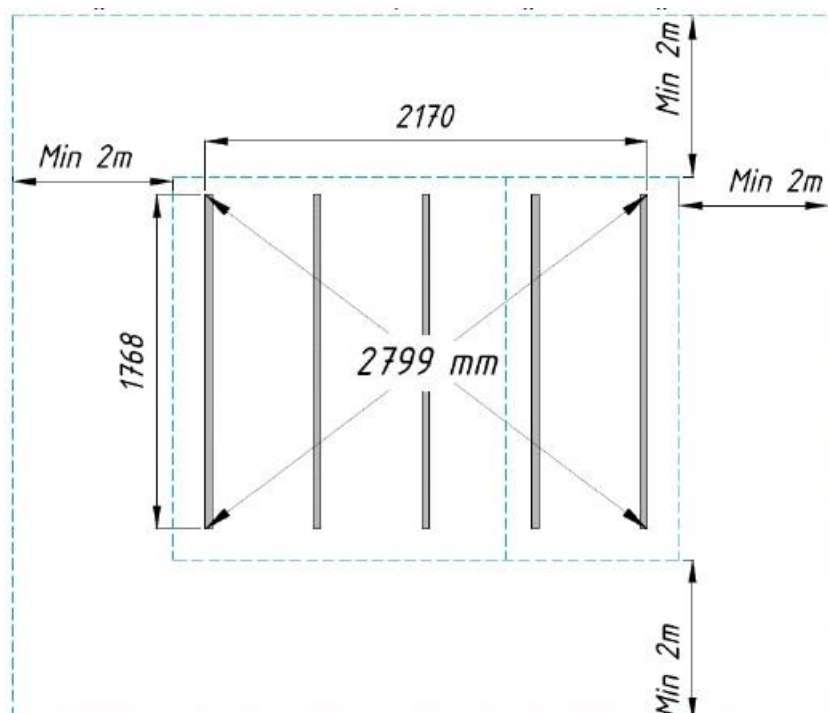
blyertspenna

**RÅD:** För att undvika stickor rekommenderar vi att du använder arbetshandskar under monteringen. För att skydda dina ögon från sågspån rekommenderar vi att du bär skyddsglasögon under monteringen.

För att undvika att träet spricker när du skruvar i det bör du använda förborrade hål.

Alla utskjutande skruvar och vassa kanter måste noggrant slipas jämna omedelbart efter monteringen för att undvika potentiella skador.

Tasoita alusta ja asenna lattiapalkit alla olevan piirustuksen mukaan:



# Návod k montáži, instalaci a údržbě

## Domek na hraní ELBD16-2218

Šířka 220 x Hloubka 180 cm  
Tloušťka stěn 16 mm



### UPOZORNĚNÍ:

Nevhodné pro děti do 3 let. Riziko rozdrčení.

Používat pouze pod dohledem dospělé osoby. Nebezpečí pádu.

Jen pro domácí, venkovní použití.

Nenechávat v blízkosti ohně.

Výrobek je dodáván rozmontovaný. Nutné sestavení hračky dospělou osobou.

Tento výrobek je určen pro děti ve věku od 3 do 14 let (max 50 kg) a pouze pod dohledem dospělých.

### Pozor!

- Na stěny a střechu smontovaného domku není povoleno lézt.
- Dřevěné části mohou obsahovat drobná vytrhaná vlákna nebo ostré konce a hrany.
- Oblast určenou pro spánek mohou ve stejném okamžiku používat maximálně 2 děti!
- Dodaná souprava neobsahuje žádný materiál na zakrytí střechy. Než začnete domek používat, musíte si zajistit vhodnou krytinu střechy (asfaltové šindele nebo válce) a nainstalovat je v souladu s pokyny výrobce! Nedoporučuje se nechávat domek bez střešní krytiny na dešti, v takovém případě dojde ke zrušení záruky!
- Výrobek je dodáván nedokončený!

## 1 Návod k montáži



**Vážený kliente,**

Jsme rádi, že jste se rozhodli zakoupit si náš zahradní domek!

**Než přejdete k instalaci domku, prosím, pečlivě si přečtete návod k montáži!** Tak se vyvarujete problémů a neztratíte čas. Dokumentaci přiloženou k balení domku uchovejte, prosím!

### Doporučení:

- Balení domku ponechte až do úplné montáže na suchém místě, ale ne v přímém kontaktu se zemí, na místě chráněném před povětrnostními vlivy (vlhkost, slunce, atd.). Balení domku neuchovávejte ve vytápěné místnosti!
- Produkt smontujte na hladkém povrchu, minimálně 2 metry od stavby nebo překážky jako je plot, garáž, dům, mimo dosah větví stromů, šňůr na sušení prádla a elektrických kabelů.
- Při výběru umístění domku na zahradě se ujistěte, že domek nebude vystaven extrémním povětrnostním vlivům (místa se silným větrem, atd.).
- Vzhledem k tomu, že se produkt dodává neopracovaný, je dobré začít s konzervací dřeva. Při výběru vhodné ochrany dřeva podstupuje dle bezpečnostních informací na kartě.



### Záruka

Váš domek je vyroben z vysoce kvalitního smrku a dodává se v přírodním (neopracovaném) provedení. Pokud máte, navzdory naší kontrole, stížnosti, zašlete vyplněný kontrolní list a fakturu prodejci produktu.

**Pozor! Dokumentaci přiloženou k balení domku uchovejte, prosím! Kontrolní list obsahuje kontrolní číslo domku. Stížnostmi se můžeme zabývat pouze pokud prodejci oznámíte kontrolní číslo domku.**

Záruka se nevztahuje na:

- Zvláštnosti dřeva coby přírodního materiálu
- Dřevěné detaily, již namalované (zpracované konzervantem dřeva)
- Dřevěné detaily obsahující celé větve, které neohrožují stabilitu domku
- Odchyšky barevnosti způsobené rozdíly struktury dřeva
- Dřevěné detaily obsahující (v důsledku sušení) malé praskliny/mezery, které neprochází a neovlivňují konstrukci domu
- Zakřivené dřevěné detaily, pokud jsou přesto nainstalovány
- Střešní a podlažní desku, které mohou mít po celém povrchu barevné rozdíly a různé odstíny
- Stížnosti v důsledku nekompetentního způsobu instalace domku nebo klesání domku v důsledku neodborně provedených základů
- Stížnosti způsobené provedením vlastních změn na domku, např. deformace dřevěných detailů a dveří/oken v důsledku nekompetentního způsobu zpracování dřeva; příliš pevné nástavce, rámy dveří přišroubované ke stěnám, atd.

**Stížnosti kryté zárukou jsou uspokojeny do rozsahu výměny vadného/závadného materiálu. Všechny další požadavky budou vyloučeny!**



### Nátěr a údržba zahradního domku

Dřevo je přírodní materiál, který roste a přizpůsobuje se v závislosti na okolních povětrnostních podmínkách. Velké a malé praskliny, rozdíly barevných tónů, například změna struktury dřeva, nejsou chybami, ale důsledkem růstu dřeva a zvláštností dřeva coby přírodního materiálu.

Nezpracované dřevo začne po chvíli, kdy bylo ponecháno bez ošetření, šedivět, může začít modrat a hnit. Abyste ochránili dřevěné prvky vašeho zahradního domku, musíte dřevo okamžitě ošetřit konzervačním přípravkem.

**Pozor!** Domek se dodává bez rozpracovaného zpracování. Abyste snížili nebezpečí vzniku požáru, musíte použít barvy nebo impregnace, které brání šíření ohně! Použijte barvy a impregnace na bázi vody a vyvarujte se použití produktů na bázi ředidla!

**Ohledně nátěru vhodného pro nezpracované měkké dřevo se poraďte s odborníkem a postupujte dle pokynů výrobce.**

**Není dovoleno natírat produkt lakem nebo barvou, na jejímž povrchu se plameny šíří rychlostí vyšší než 20 mm/s.**

Při natírání používejte vysoce kvalitní nástroje a barvy, dodržujte návod k aplikaci barvy a bezpečnostní pokyny a pokyny k použití. Povrch nikdy nenatírejte na silném slunečním světle nebo za deštivého počasí.

Po dokončení montáže domku doporučujeme pro celkovou ochranu použít nátěr odolný povětrnostním vlivům, který dřevo ochrání před vlhkostí a UV zářením.

- Při dlouhých obdobích suchého počasí může dřevo sesychat a šrouby/vruty se mohou uvolnit. Provádějte pravidelné kontroly a šrouby/vruty utáhněte dle potřeby (nejméně jednou za 6 měsíců). V opačném případě se produkt stane nebezpečným.
- Vhodnost materiálu základny, koroze příslušenství a rozklad dřevěných částí je třeba kontrolovat jednou ročně. Pohyblivé části musí být namazány a/nebo vadné části musí být odstraněny za částí dodané výrobcem.
- Zejména dávejte pozor při kontrole překážek a nástavců dveří.
- Důkladná kontrola domku se doporučuje jednou ročně. Pravidelné natírání domku prodlouží jeho životnost.
- Rovněž musíte kontrolovat stav střechy, abyste mohli co nejdříve objevit jakékoli netěsnosti. Netěsnosti odstraňte ihned, jak je najdete, abyste předešli tomu, že dešťová voda poškodí střechu a další dřevěné části domku.

**Pozor!** Při opravě produktu používejte pouze identické díly. Technické údaje komponentů lze najít v dokumentaci přiložené k balení.



**S instalací zahradního domku vám přejeme úspěch a přejeme vám mnoho radostných let s naším domkem!**

## 2 Návod k instalaci

### Nástroje a příprava komponentů

K montáži zahradního domku budete potřebovat následující nástroje:



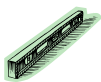
montážní držák



žebřík



kladivo



vodováha



šroubovák



pila



nůž



metr



kleště



sada vrtáků



drát



francouzský klíč



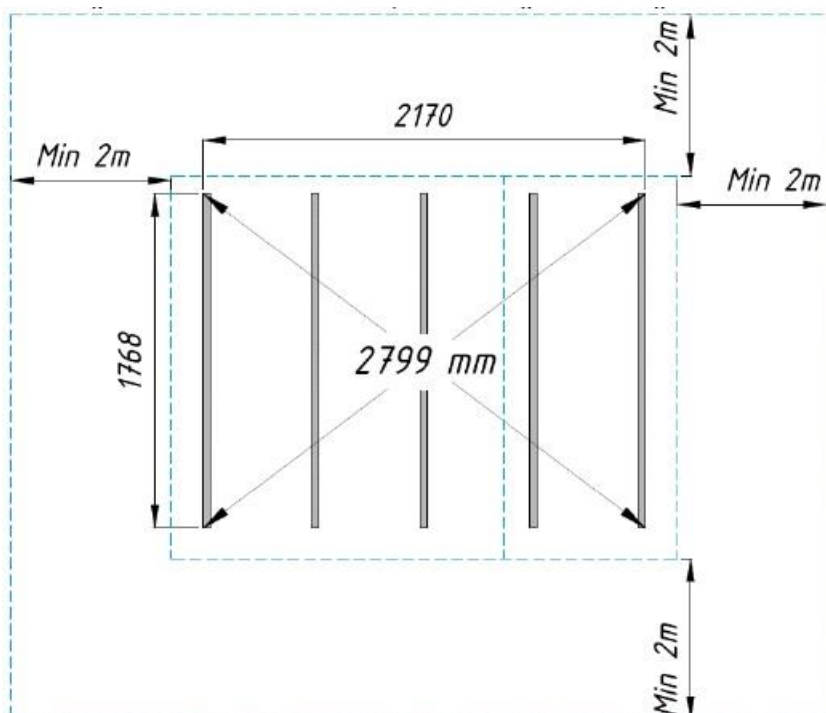
tužka

**RADA:** Abyste předešli možným zraněním, doporučujeme, abyste během montáže nosili vhodné ochranné rukavice. Chcete-li své oči ochránit před prachem z pilin, doporučujeme, abyste během procesu montáže nosili ochranné brýle.

Před šroubováním vyvrtejte díru, abyste předešli vytvoření prasklin ve dřevě.

Všechny vyčnívající šrouby a ostré hrany musí být vyhlazeny bezprostředně po instalaci, aby se předešlo možným zraněním.

Vyrovnejte podklad a nainstalujte základní spoje, v souladu s nákresem níže:



# Montāžas, uzstādīšanas un kopšanas rokasgrāmata

## Rotaļu mājiņa ELBD16-2218

Platums 220 x Dziļums 180 cm  
Sienu biezums 16 mm



### **BRĪDINĀJUMI:**

Nav piemērots bērniem līdz 3 gadu vecumam. Saspiešanas risks.

Izmantot vienīgi tiešā pieaugušo uzraudzībā. Nokrišanas risks.

Izmantot tikai mājās ir paredzēts lietošanai ārā.

Sargāt no uguns.

Izstrādājums tiek piegādāts izjauktā veidā. Jāsaliek pieaugušam cilvēkam.

Piemērots bērniem vecumā no 3-14 gadiem (ne vairāk par 50 kg).

### **Uzmanību!**

- Ir aizliegt kāpt uz gatavās mājiņas margām un jumta.
- Koka detaļām var būt skabargas, asi gali un malas.
- Guļamzonu vienlaikus var izmantot ne vairāk kā divi bērni.
- Komplektā neietilpst jumta segums. Pirms mājiņas izmantošanas jāiegādājas piemērots jumta segums (bitumena dakstiņi vai klājums) un jāuzstāda tas, ievērojot ražotāja norādījumus. Nav ieteicams izmantot mājiņu bez jumta seguma lietainos apstākļos, jo tādā gadījumā garantija zaudēs spēku.
- Izstrādājums tiek piegādāts nepabeigts!

## 1 Montāžas rokasgrāmata



**Cienītais klient,**

Mums ir prieks, ka esat izvēlējies mūsu dārza mājiņu!

**Pirms uzsākat mājiņas uzstādīšanu, lūdzu, rūpīgi izlasiet montāžas rokasgrāmatu!** Tā jūs izvairīsieties no sarežģījumiem un ietaupīsiet laiku. Lūdzu, saglabājiet dokumentus, kas nāk komplektā mājiņai!

### leteikumi:

- Saglabājiet mājiņas komplektu, līdz esat to uzstādījis sausā vietā, izvairoties no tiešas saskares ar zemi un pasargājot to no laikapstākļu ietekmes (mitrums, saule u. c.). Neuzglabājiet mājiņas komplektu apsildītās telpās!
- Montējiet izstrādājumu uz gludas virsmas vismaz 2 m attālumā no jebkāda veida konstrukcijām vai norobežojumiem, piemēram, žoga, garāžas, mājas, kā arī koku zariem, veļas striķiem un elektrības vadiem, kas atrodas virs galvas.
- Izvēloties dārza mājiņas atrašanās vietu, pārliecinieties, ka tā netiks pakļauta skarbiem laikapstākļiem (spēcīgam vējam u. tml.).
- Tā kā izstrādājums tiek piegādāts neapstrādātā veidā, pamatu sijas jāapstrādā ar koksnes antiseptiķi. Lai izvēlētos piemērotu antiseptiķi koksnes aizsardzībai, sekojiet informācijai drošības kartē.



### Garantija

Jūsu mājiņa ir izgatavota no augstas kvalitātes egles koksnes un tiek piegādāta dabīgā (neapstrādātā) veidā. Ja, neraugoties uz mūsu rūpīgo pārbaudi, jums ir kādas sūdzības, lūdzu, iesniedziet aizpildītu kontrollapu kopā ar pirkuma čeku izstrādājuma pārdevējam.

**UZMANĪBU: Lūdzu, saglabājiet dokumentus, kas nāk komplektā mājiņai! Kontrollapā ir norādīts mājiņas kontroles numurs. Mēs varam izskatīt sūdzības tikai tad, ja esat iesniedzis pārdevējam mājiņas kontroles numuru!**

### Garantija nesedz:

- Koka kā dabīga materiāla īpatnības.
- Jau krāsotas (ar antiseptiķi apstrādātas) koka detaļas.
- Koka detaļas ar zaru vietām, kas neapdraud mājiņas stabilitāti.
- Nokrāsas variācijas koka struktūras atšķirību dēļ, kas neietekmē koksni.
- Koka detaļas ar mazām plaisām/spraugām (kas radušās žūstot), kuras nav caurejošas un neietekmē mājiņas konstrukciju.
- Savērpusās koka detaļas, kuras joprojām var izmantot.
- Jumta un grīdas dēļus, kuriem uz segtajām virsmām ir neēvelētas vietas, nevienmērīga krāsa vai nodilums.
- Sūdzības saistībā ar nekompetenti uzstādītām mājiņām vai iegrimušām mājiņām nekompetenti sagatavotu pamatu dēļ.
- Sūdzības saistībā ar patvaļīgi veiktām izmaiņām mājiņas konstrukcijā, piemēram, koka detaļu un durvju/logu deformācija nekompetentas koksnes apstrādāšanas rezultātā, pārāk stingra pretvēja stiprinājumu pievilksana, durvju rāmju pieskrūvēšana pie sienu dēļiem u. tml.

**Garantijas segtās sūdzības tiek apmierinātas, apmainot defektīvo/bojāto materiālu. Visas citas prasības tiks noraidītas!**





### Dārza mājiņas krāsošana un kopšana

Koks ir dabīgs materiāls, kas mainās un pielāgojas atkarībā no laikapstākļiem. Lielas un mazas plaisas, nokrāsas variācijas un izmaiņas, kā arī izmaiņas koka struktūrā nav defekti, bet gan dabisku pārmaiņu rezultāts un koka kā dabīga materiāla īpatnība.

Neapstrādāts koks ar laiku kļūst pelēcīgs, bet var kļūt arī zilgans un pelēt. Lai aizsargātu savas dārza mājiņas koka detaļas, nekavējoties apstrādājiet tās ar koksnes antiseptiķi.

**Uzmanību!** Mājiņa tiek piegādāta bez apdares. Lai samazinātu ugunsgrēka risku, izmantojiet krāsu vai piesūcināšanas vielas, kas neļaus ugunij izplatīties. Izmantojiet krāsu un piesūcināšanas vielas uz ūdens bāzes un izvairieties no produktiem uz šķīdinātāja bāzes.

**Konsultējieties ar speciālistu par krāsām, kas piemērotas neapstrādātai skujkoku koksnei, un ievērojiet krāsas ražotāja norādījumus.**

**Izstrādājumu nedrīkst pārklāt ar laku vai krāsu, kuras liesmu izplatīšanās ātrums ir lielāks par 20 mm/s.**

Krāsošanai izmantojiet augstas kvalitātes darbarīkus un krāsu un ievērojiet krāsas uzklāšanas norādījumus un ražotāja drošības un lietošanas instrukcijas. Nekad nekrāsojiet virsmas spēcīgā saules gaismā vai lietainā laikā.

Kad mājiņas montāža ir pabeigta, iesakām veikt pēdējo apdari ar krāsu, kas aizsargās koku no laikapstākļu iedarbības – mitruma un UV starojuma.

- Ilgstošu sausu laikapstākļu gadījumā koks var sarauties un skrūves var kļūt vaļīgas. Veiciet regulāras pārbaudes un pēc vajadzības pievelciet skrūves (ne retāk kā reizi sešos mēnešos)! Citādi izstrādājums var kļūt bīstams.
- Pamatnes piemērotība, furnitūras korozija un koka detaļu pūšana jāpārbauda reizi gadā. Kustīgās daļas jāieeļļo un nodilušās un/vai defektīvās detaļas jānomaina pret jaunām ražotāja piedāvātām detaļām.
- Īpaši rūpīgi pārbaudiet margu un durvju stiprinājumus.
- Ir ieteicams reizi gadā rūpīgi pārbaudīt visu mājiņu. Regulāri pārkrāsojot mājiņu, jūs ievērojami paildzināsiet tās mūžu
- Jāpārbauda arī jumta stāvoklis, lai pēc iespējas ātrāk atklātu sūces. Novērsiet sūces, tiklīdz tās atklājat, lai izvairītos no lietusūdens radītiem jumta un citu mājiņas koka detaļu bojājumiem.

**Uzmanību!** Izstrādājuma labošanai izmantojiet tikai identiskas detaļas. Sastāvdaļu specifikāciju varat atrast dokumentos, kas nāk komplektā mājiņai!



**Vēlam jums veiksmīgu dārza mājiņas uzstādīšanu un neskaitāmus prieka mirkļus tajā daudzu gadu garumā!**

## 2 Uzstādīšanas rokasgrāmata

### Darbarīki un sastāvdaļu sagatavošana

Lai samontētu dārza mājiņu, jums būs nepieciešami šādi darbarīki:



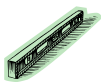
montāžas palīglīdzekļi



kāpnes



āmurs



līmeņrādis



skrūvgriezis



zāģis



nazis



mērlente



knaibles



urbju komplekts



vīle



bīdatslēga



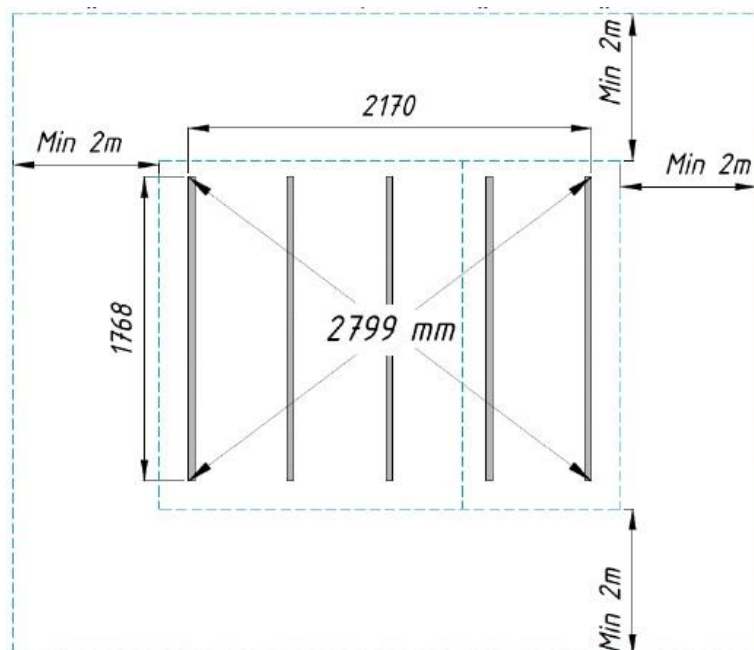
zīmulis

**PADOMS:** lai izvairītos no iespējamām skabargu radītām traumām, iesakām montāžas laikā valkāt piemērotus aizsargcimdus. Lai pasargātu acis no zāģu skaidām, iesakām montāžas laikā valkāt aizsargbrilles.

Pirms skrūvēšanas, lūdzu, izurbiet caurumus, lai izvairītos no plaisām kokā.

Visas izvirzītās skrūves un asie stūri uzreiz pēc uzstādīšanas ir jānogludina, lai izvairītos no potenciāliem ievainojumiem.

Izlīdziniet zemi un uzstādiet pamatu sijas atbilstoši šim zīmējumam:



# Surinkimo, montavimo ir priežiūros vadovas

## Žaislinis namelis ELBD16-2218

Plotis 220 x Aukštis 180 cm  
Sienelės storis 16 mm



### **ĮSPĖJIMAI:**

Netinka vaikams iki 3 metų. Sutraikymo pavojus.  
Galima naudoti tik prižiūrint suaugusiesiems. Rizika pargriūti.  
Tik buitiniam naudojimui, lauke.  
Laikykite atokiau nuo ugnies.  
Gaminys tiekiamas nesurinktas. Surinkti turi suaugusieji.  
Tinka nuo 3 iki 14 metų vaikams (ne daugiau kaip 50 kg).

### **Dėmesio!**

- Draudžiama lipti ant surinkto namelio barjerų ir stogo.
- Medinėse detalėse gali būti atplaišų, aštrių kampų ir kraštų.
- Miego zonoje vienu metu gali būti ne daugiau negu 2 vaikai.
- Komplekte nėra stogo dangos medžiagos. Prieš pradėdami naudoti namelį, turite pasirūpinti tinkama stogo dangos medžiaga (bituminėmis čerpėmis arba bet kokia kita danga) ir įrengti ją pagal gamintojo nurodymus! Nerekomenduojama palikti namelio be stogo dangos, kai lyja, nes nustos galioti garantija!
- Gaminys tiekiamas neužbaigtas!

## 1 Surinkimo vadovas



**Gerb. kliente,**

Džiaugiamės, kad nusprendėte įsigyti mūsų sodo namelį!

**Prieš pradėdami jį įrengti, atidžiai perskaitykite surinkimo vadovą!** Taip išvengsite problemų ir sutaupysite laiko. Būtinai išsaugokite dokumentus, pristatomus su nameliu!

### **Rekomendacijos:**

- Išsaugokite namelio pakuotę, kol jį visiškai surinksite sausoje vietoje, tačiau ne tiesiai ant žemės. Vieta turi būti apsaugota nuo klimato sąlygų (drėgmės, saulės ir pan.). Namelio pakuotės nelaikykite šildomose patalpose!
- Surinkite produktą ant lygaus paviršiaus mažiausiai 2 m atstumu nuo bet kokio statinio arba kliūties, pavyzdžiui, tvoros, garažo, namo, virš medžių šakų, skalbinių virvių ir elektros laidų.
- Kai renkatės sodo namelio vietą, įsitikinkite, kad namelis nepatirs ekstremalių klimato sąlygų (stipraus vėjo ir pan.).
- Kadangi produktas pristatomas be apdailos, būtina pamato sijas padengti medienos apsaugos priemone. Rinkdamiesi tinkamą medienos apsaugos priemonę, vadovaukitės informacija, pateikta saugos kortelėje.



### **Garantija**

Jūsų namelis pagamintas iš aukštos kokybės eglės ir pristatomas be apdailos. Jei, nepaisant atliktos kruopščios patikros, turėtumėte pretenzijų, pateikite užpildytą kontrolinį lapą ir pirkimo kvitą produkto pardavėjui.

**DĖMESIO: būtinai išsaugokite dokumentus, pristatomus namelio pakuotėje! Kontroliniame lape pateikiamas kontrolinis namelio numeris. Mes galime peržiūrėti pretenzijas tik tuo atveju, jei pardavėjui nurodytas namelio kontrolinis numeris!**

#### Garantija netaikoma:

- natūralioms medinėms dalims;
- nudažytoms medinėms dalims (apdorotoms medienos apsaugos priemone);
- medinėms dalims, kuriose yra visų šakų, nekeliančių pavojaus namelio stabilumui;
- atspalvių variacijoms dėl medienos struktūros skirtumų, nedarančių įtakos medienai;
- medinėms dalims, kuriose (dėl džiūvimo) atsirado įtrūkimų / tarpelių, kurie yra nepraeinami ir neturi įtakos namelio konstrukcijai;
- susisukusioms medinėms dalims, jei jos vis tiek gali būti įrengtos;
- stogo ir grindų plokštėms, ant kurių paviršiaus gali būti užslėptų neplanuotų sričių, spalvos skirtumų ir nusitrynimų;
- pretenzijoms dėl netinkamo namelio įrengimo arba dėl namelio įgriuvimo dėl netinkamai įrengto pamato;
- pretenzijoms dėl savo iniciatyva atliktų namelio pakeitimų, pavyzdžiui, medinių dalių ir durų / langų deformacijos atlikus netinkamą medienos apdailą; dėl per stipraus apsaugų įveržimo; dėl durų rėmo įtvirtinimo prie sienos rąstų ir pan.

**Pretenzijos, kurioms taikoma garantija, patenkinamos pakeičiant brokuotą / sugedusią medžiagą. Visos kitos pretenzijos nesvarstomos!**



### Sodo namelio dažymas ir techninė priežiūra

Mediena yra natūrali medžiaga, auganti ir prisitaikanti pagal klimato sąlygas. Dideli ir maži įtrūkimai, atspalvių skirtumai ir pasikeitimai bei medienos struktūros pokyčiai nėra klaidos, tai tik medienos augimo rezultatas ir medienos, kaip natūralaus produkto, savybė.

Neapdorota mediena, neliečiama ilgesnį laiką, papilkėja, gali įgyti net mėlyną atspalvį arba apipelyti. Norėdami apsaugoti medines sodo namelio dalis, turite nedelsdami apdoroti jas medienos apsaugos priemone.

**Dėmesio!** Namelis pristatomas be apdailos. Siekdami sumažinti gaisro riziką, turėtumėte naudoti dažus arba impregnavimo priemones, kurie neleistų plisti ugniai! Naudokite vandens pagrindo dažus ir impregnavimo medžiagas, venkite tirpiklio pagrindo produktų!

**Pasikonsultuokite su specialistu dėl spygliuočių medienai tinkančių dažų ir vadovaukitės gamintojo instrukcijomis.**

**Draudžiama dengti produktą laku arba dažais, jei jo paviršiumi liepsna plinta greičiau negu 20 mm/s.**

Dažydami naudokite aukštos kokybės įrankius ir dažus, vadovaukitės dažymo vadovu ir gamintojo saugos ir naudojimo instrukcijomis. Nedažykite paviršiaus, jei stipriai šviečia saulė arba lyja.

Surinkus namelį, rekomenduojame padengti jį paskutiniu apdailos sluoksniu, saugančiu nuo klimato sąlygų, t. y. drėgmės ir ultravioletinių spindulių.

- Jei namelis ilgai laikomas sausomis oro sąlygomis, mediena gali susitraukti ir varžtai / veržlės gali atsilaisvinti. Reguliariai tikrinkite varžtus / veržles ir, jei reikia, priveržkite juos (ne rečiau negu kas 6 mėnesius). Priešingu atveju produktas gali tapti pavojingas.
- Vieną kartą per metus reiktų tikrinti, ar pagrindo medžiaga vis dar tinkama, ar nesurūdiję priedai, ar dar tinkamos naudoti medinės dalys. Judančias dalis reiktų sutepti alyva, o nusidėvėjusias ir (arba) brokuotas dalys turėtų būti pakeistos naujomis gamintojo tiekiamomis dalimis.
- Būkite itin atidūs, kai tikrinatė barjerus ir durų priedus.
- Rekomenduojama kartą per metus atidžiai tikrinti namelį. Jei namelis reguliariai dažomas, reikšmingai prailginamas jo naudojimo laikas.
- Taip pat turėtumėte tikrinti stogo būklę, kad kuo anksčiau pastebėtumėte plyšius. Vos pastebėję plyšį, jį pašalinkite, kad lietaus vanduo nepažeistų stogo ir kitų medinių namelio dalių.

**Dėmesio!** Atlikdami namelio remonto darbus, naudokite tik tokias pačias dalis. Komponentų specifikacija pateikiama dokumentuose, esančiuose pakuotėje su nameliu.



**Linkime visokeriopos sėkmės įrengiant sodo namelį bei smagiai juo naudotis ilgą laiką!**

## 2 Montavimo vadovas

### Įrankiai ir komponentų parengimas

Surinkti sodo namelį reikės šių įrankių:



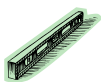
pagalbinės surinkimo priemonės



kopėčių



plaktuko



vandens lygio matuoklio



atsuktuvo



pjūklo



peilio



matavimo juostos



replių



grąžtų komplekto



dildės



reguliuojamo veržliarakčio



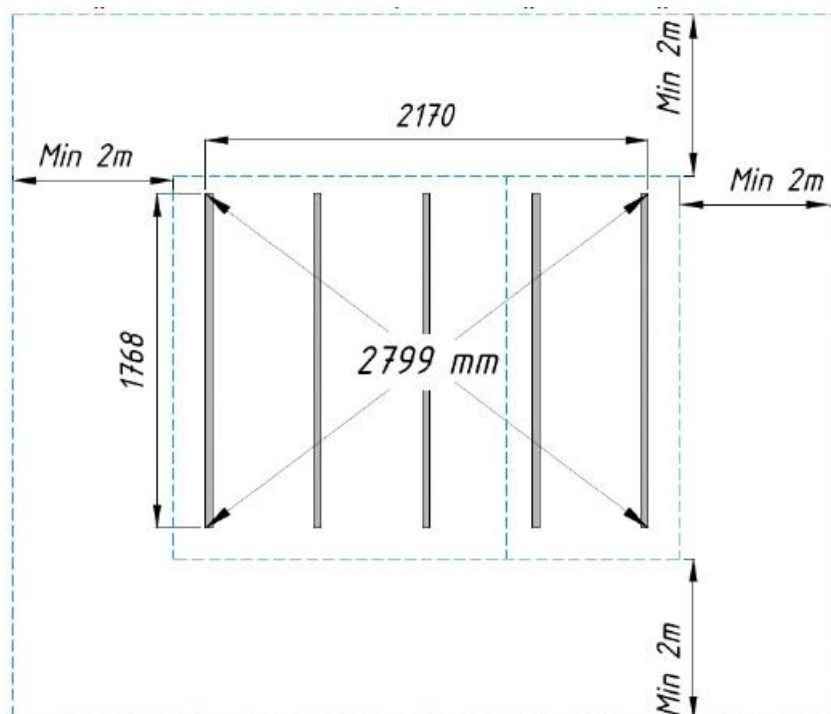
Pieštuko

**PATARIMAS:** siekiant išvengti galimų sužalojimų dėl skeveldrų, rekomenduojame surenkant mūvėti atitinkamas apsaugines pirštines. Siekiant apsaugoti akis nuo pjuvenų, rekomenduojame naudoti apsauginius akinius.

Prieš verždami išgręžkite skylę, kad mediena nelūžtų.

Įrengus namelį, negali likti išsikišusių varžtų ir aštrių kraštų, kad būtų išvengta sužalojimų.

Išlyginkite žemę ir įrenkite pamato gegnes pagal pateiktą brėžinį:



# Instrukcja montażu, instalacji i konserwacji

## Domek do zabawy ELBD16-2218

Szerokość 220 x Głębokość 180 cm  
Grubość ścian 16 mm



### **OSTRZEŻENIA:**

Nie nadaje się dla dzieci w wieku poniżej 3 lat. Ryzyko zmiżdżenia.

Do użytku pod bezpośrednim nadzorem osoby dorosłej. Ryzyko upadku.

Wyłącznie do użytku domowego w warunkach zewnętrznych.

Trzymaj z dala od ognia.

Produkt dostarczany jest w elementach. Wymagany montaż przez osobę dorosłą.

Przeznaczony dla dzieci od 3 do 14 lat (maksymalnie 50 kg/użytkownik).

### **Uwaga!**

- Nie wolno wspinać się na bariereki ani dach złożonego domu.
- Na elementach drewnianych mogą wystąpić drzazgi, ostre krawędzie i końce.
- Część sypialną może jednocześnie używać nie więcej niż 2 dzieci!
- W zestawie nie dołączono obicia dachowego. Przed użytkowaniem należy zakupić odpowiednie obicie dachowe (gont bitumiczny lub papa) i zamocować je zgodnie z zaleceniami producenta. Pozostawienie na deszczu domu bez stosownego obicia dachu powoduje utratę gwarancji!
- Produkt dostarczany jest w postaci niewykończonej!

## 1 Instrukcja montażu



**Drogi kliencie,**

Dziękujemy za wybór naszego domu ogrodowego!

**Przed montażem prosimy o dokładne zapoznanie się z instrukcją!** Pozwoli to uniknąć problemów i oszczędzi czas. Dokumentację załączoną do produktu należy zachować.

### Zalecenia:

- Przed przystąpieniem do montażu opakowanie z domem należy przechowywać w suchym miejscu, nie w bezpośrednim kontakcie z podłożem i zabezpieczone przed czynnikami atmosferycznymi (wilgoć, słońce, itp.) Nie należy przechowywać opakowania z produktem w ogrzewanym pomieszczeniu!
- Montaż domu należy przeprowadzić na gładkiej nawierzchni i przynajmniej w odstępnie 2m od innych konstrukcji lub ogrodzeń takich jak płot, garaż, dom, a także z dala od gałęzi drzew, sznurów na pranie i przewodów elektrycznych.
- Wybierając miejsce na dom ogrodowy upewnij się, że dom nie będzie wystawiony na szkodliwe działanie warunków atmosferycznych (silnego wiatru, itp.)
- Produkt dostarczany jest w stanie surowym. Belki fundamentowe należy zabezpieczyć środkiem ochronnym do drewna. W celu wybrania odpowiedniego preparatu, zapoznaj się z kartą informacyjną produktu.



### Gwarancja

Dom ogrodowy jest wykonany z wysokiej jakości drewna jodłowego i dostarczany w postaci naturalnej (nieprzetworzonej). Przeprowadzamy dokładną kontrolę jakości naszych produktów, jednak w przypadku znalezienia jakiejś wady, prosimy przesłać wypełnioną kartę kontrolną wraz z załączoną fakturą.

**UWAGA: Dokumentację dołączoną do produktu należy zachować! Na karcie kontrolnej zamieszczono numer kontrolny domu. Uznajemy wyłącznie reklamacje, w których podano numer kontrolny domu.**

Gwarancja nie obejmuje:

- Naturalnych osobliwości drewna
- Elementów drewnianych, które zostały pomalowane (zabezpieczone preparatem)
- Elementów drewnianych zawierających gałęzie, które nie mają wpływu na stabilność domu
- Naturalnych różnic w kolorze i strukturze drewna
- Drobnych pęknięć / szczelin w drewnie, spowodowanych jego wysychaniem, które nie mają wpływu na strukturę domu
- Wygiętych elementów drewnianych, które da się zamontować
- Listew podłogowych i dachowych, które w partiach zasłoniętych są miejscowo niedoszlifowane, odbarwione lub osłabione
- Wad spowodowanych wadliwym montażem domu lub zapadnięcia domu wywołanego niewłaściwie wykonanymi fundamentami
- Reklamacji spowodowanych dokonywaniem własnych przeróbek domu lub niewłaściwym malowaniem drewna, takich jak odkształcenia elementów drewnianych, drzwi/okien, oraz zbyt ciasnym dokręceniem uchwytów, drzwi dokręconych do bali ścian, itp.

**Rozpatrzone pomyślnie reklamacje objęte gwarancją oznaczają wymianę uszkodzonego/wadliwego elementu. Inne żądania nie będą uwzględnione.**





### Malowanie i konserwacja domu ogrodowego

Drewno jest naturalnym materiałem, który pracuje i zmienia się pod wpływem warunków atmosferycznych. Większe i mniejsze pęknięcia, przebarwienia oraz zmiany struktury drewna nie są wadami a jedynie częścią naturalnego procesu przemian materiału.

Drewno pozostawione na jakiś czas bez zabezpieczenia szarzeje, a z czasem robi się niebieskie i pleśnieje. Aby temu zapobiec, należy zabezpieczyć odpowiednim preparatem wszystkie drewniane elementy ogrodu natychmiast po zakupie.

**Uwaga!** Dom dostarczany jest w postaci surowej przeznaczonej do samodzielnego montażu. Zastosuj farby i impregnaty ognioodporne, aby zmniejszyć ryzyko pożaru! Unikaj rozpuszczalnika; stosuj farby wodorozcieńczalne.

**W celu dobrania farb odpowiednich do surowego drewna, skonsultuj się ze specjalistą i przestrzegaj instrukcji producenta.**

**Malowanie produktu farbą lub lakierem, których współczynnik rozprzestrzeniania się ognia przekracza 20mm/s jest zabronione!**

Podczas malowania używaj wyłącznie wysokiej jakości narzędzi i farb, przestrzegaj instrukcji producenta i środków ostrożności. Nigdy nie maluj na dużym słońcu ani podczas deszczu.

Po zakończeniu montażu zaleca się wykończenie domu warstwą farby odpornej na szkodliwe działanie warunków atmosferycznych, która ochroni drewno przed wilgocią i promieniowaniem UV.

- Drewno może kurczyć się a śruby luzować podczas długich okresów suszy. Przeprowadzaj regularne kontrole i dokręcaj śruby w razie potrzeby (nie rzadziej niż co 6 miesięcy)! W przeciwnym razie korzystanie z produktu stanie się niebezpieczne.
- Raz w roku należy sprawdzać stan domu pod kątem jego stabilności podstawy, korozji elementów metalowych i pleśnienia elementów drewnianych. Części ruchome należy oliwić a części zużyte wymieniać na części nowe od producenta.
- Należy szczególnie uważnie sprawdzać mocowania barierek i drzwi.
- Zalecamy szczegółową kontrolę całego domu raz na rok. Regularne malowanie domu wydłuży jego żywotność.
- Sprawdzaj stan dachu, żeby wcześniej wykrywać przecieki. W razie odkrycia przecieku, jak najszybciej zabezpiecz dach, żeby zapobiec niszczeniu elementów drewnianych wystawionych na działanie wody.

**Uwaga!** Do napraw używaj wyłącznie takich samych części. Specyfikację produktu zamieszczono w dokumentacji dołączonej do opakowania.



**Życzymy udanego montażu i wielu radości z korzystania domu przez wiele lat!**

## 2 Instrukcja instalacji

### Narzędzia i przygotowanie

Do montażu domu ogrodowego potrzebne będą następujące narzędzia:



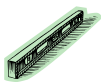
pryzrząd montażowy



drabina



młotek



poziomica



śrubokręt



piła



nóż



miarka



kombinerki



zestaw wiertel



pilnik



klucz francuski



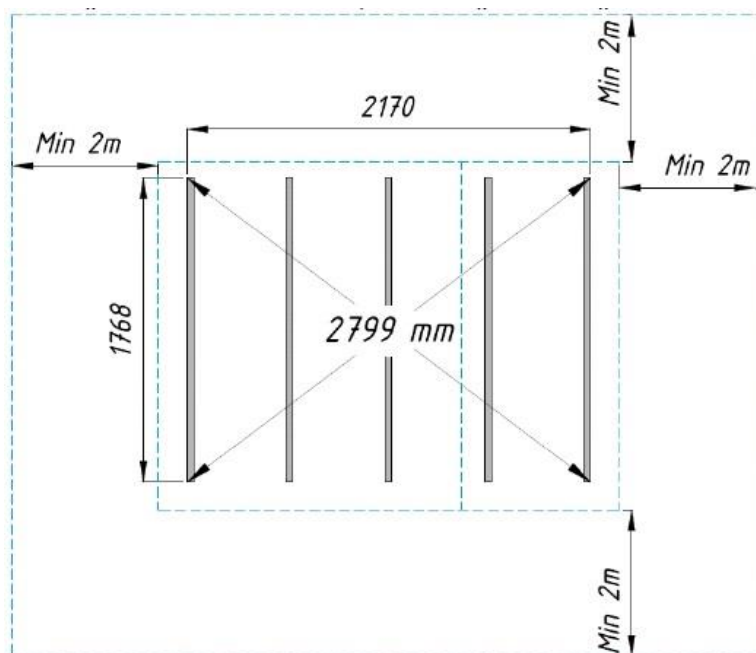
ołówek

**PORADA:** Aby zapobiec skaleczeniom drzazgami, zalecamy używanie rękawic ochronnych podczas montażu. Gogle ochronne zabezpieczą oczy przed pyłem.

Przed skręceniem wywierć otwór, aby zapobiec pęknięciom drewna.

Wszystkie ostre śruby i krawędzie należy opłować na gładko natychmiast po złożeniu domu, aby uniknąć urazów.

Wyrównaj podłoże i zamocuj belki fundamentowe zgodnie z poniższym rysunkiem:



# Manual de montagem, instalação e manutenção

## Casa de brincar ELBD16-2218

Largura 220 x Profundidade 180 cm  
Largura da parede 16 mm



### **AVISOS:**

**Contra-indicado para crianças com menos de 3 anos. Risco de esmagamento.**

**A utilizar sob a vigilância directa de adultos. Risco de queda.**

**Apenas para uso doméstico no exterior.**

**Manter afastado do fogo.**

**O produto é entregue desmontado. Necessária montagem por um adulto.**

**Destinado a crianças entre 3 e 14 anos (max 50 kg/utilizador).**

### **Atenção!**

- Não é permitido subir para o telhado nem para as barreiras da casa montada.
- Os detalhes de madeira poderão ter rasgos e extremidades ou pontas afiadas.
- A zona de dormir pode ser utilizada simultaneamente por não mais de 2 crianças!
- O kit fornecido não inclui qualquer material de cobertura de telhado. Antes de começar a utilizar a casa, deve adquirir um material adequado de cobertura de telhado (telhas ou rolos de betume) e instalá-lo em conformidade com as instruções do fabricante! Não é recomendável deixar a casa à chuva sem uma cobertura de telhado ou irá anular a garantia!
- O produto é entregue sem acabamentos!

## 1 Manual de montagem



**Caro cliente,**

Ficamos satisfeitos que se tenha escolhido a nossa casa de jardim.

**Por favor, leia cuidadosamente as instruções de montagem antes de iniciar a montagem da casa!** Assim evitará problemas e percas de tempo. Por favor, certifique-se de que mantém a documentação que acompanha a embalagem da casa!

### **Recomendações:**

- Mantenha a embalagem da casa até a sua completa montagem num local seco, mas não em contacto direto com o solo, protegido contra intempéries (humidade, sol, etc.). Não mantenha a embalagem da casa numa sala aquecida!
- Monte o produto sobre uma superfície suave com uma distância de pelo menos 2m de qualquer construção ou barreira tal como uma cerca, garagem, casa, galhos de árvore situados por cima, varões e cabos elétricos.
- Ao selecionar a localização da casa de jardim, certifique-se de que a casa não será submetida a condições meteorológicas extremas (áreas de ventos fortes, etc.)
- Como o produto é entregue no seu estado inalterado é necessário utilizar um preservador de madeira nas vigas de fundação. Para a escolha adequada do conservante de proteção da madeira siga a informação no cartão de segurança.



### **Garantia**

A sua casa é feita de abeto de alta qualidade e entregue na forma natural (não processado). Se, apesar da nossa rigorosa inspeção, tiver alguma reclamação, por favor envie para o vendedor do produto o documento de controlo preenchido e a fatura de compra.

**ATENÇÃO: Por favor, certifique-se de que mantém a documentação que acompanha a embalagem da casa! O documento de controlo inclui o número de controlo da casa. Só poderemos analisar reclamações se enviar o número de controlo da casa ao vendedor!**

A garantia não cobre:

- Peculiaridades da madeira como um material natural
- Detalhes de madeira já pintada (processada com um preservador de madeira)
- Detalhes de madeira que contenham ramos que não coloquem em perigo a estabilidade da casa
- Variações de tom de cor causadas por diferenças de estrutura de madeira que não influenciem a madeira
- Detalhes da madeira que contenham (causadas por secagem) pequenas rachaduras/falhas que não passam de um lado ao outro e que não influenciam a estrutura da casa
- Detalhes de madeira torcida caso possam, ainda assim ser instalados
- Telhado e placas de piso que possam ter nas suas superfícies algumas áreas não-aplanadas, diferenças de cor e declives
- Reclamações resultantes de uma incorreta forma de montagem da casa ou de declive devido a uma fundação executada de forma incorreta
- As reclamações causadas por alterações introduzidas por autoiniciativa, tais como a deformação de detalhes da madeira e portas/janelas devido a uma forma incompetente de processamento da madeira; a montagem demasiado rígida de suportes de tempestade, inserção de ombreiras através de parafusos nas paredes, etc.

**As reclamações cobertas pela garantia são satisfeitas na medida da substituição do material defeituoso/deficiente. Quaisquer outros pedidos serão excluídos!**



### **Pintura e manutenção da casa de jardim**

A madeira é um material natural, crescendo e adaptando-se, dependendo das condições meteorológicas. Rachaduras grandes e pequenas, diferenças de tom de cor e alterações, bem como uma mudança de estrutura de madeira não são erros, mas um resultado do crescimento da madeira e uma peculiaridade da madeira como um material natural.

A madeira não processada torna-se acinzentada, depois de ter sido deixada intocada por um determinado tempo e pode tornar-se azul e criar mofo. Para proteger os detalhes da madeira da sua casa de jardim, deve processá-los imediatamente com um preservador de madeira.

**Atenção!** **Atenção! A casa é fornecida sem mão-de-obra elaborativo. Para reduzir o risco de incêndio, deve utilizar tintas ou impregnação de substâncias que impeçam a propagação de fogo! Utilize tintas à base de água e substâncias de impregnação e evite produtos à base de solventes!**

**Consulte um especialista sobre tintas para coníferas não transformadas e siga as instruções do fabricante da tinta.**

**Não é permitido cobrir o produto com laca ou tinta, em cuja superfície a chama taxa de expansão de chama é superior a 20mm/s.**

Ao pintar, utilize tintas e ferramentas de alta qualidade, siga o manual de aplicação de tinta e as instruções de segurança e utilização do fabricante. Nunca pinte uma superfície sob sol forte ou tempo de chuva.

Depois de concluída a montagem da casa, recomendamos para o acabamento conclusivo a utilização de uma pintura de proteção do clima que irá proteger a madeira da humidade e da radiação UV.

- Em longos períodos de tempo seco a madeira pode encolher e os locais dos parafusos e das dobradiças podem tornar-se fracos. Efetue controlos regulares e aperte os parafusos/dobradiças conforme necessário (pelo menos a cada 6 meses)! Caso contrário o produto pode tornar-se perigoso.
- A adequação do material base, a corrosão dos acessórios e o apodrecimento das peças de madeira devem ser verificados uma vez por ano. As partes móveis devem ser oleadas e as peças desgastadas e/ou com defeito devem ser substituídas com peças fornecidas pelo fabricante.
- Esteja especialmente atento ao verificar os apoios das traves e da porta.
- Recomenda-se que inspecione a casa, de forma completa, uma vez em um ano. A pintura regular da casa prolongará substancialmente a sua vida útil.
- Também deve verificar o estado do telhado para descobrir todas as ruturas tão cedo quanto possível. Elimine as ruturas à medida que as vai encontrando para impedir que a água da chuva danifique o telhado e outras peças de madeira da casa.

**Atenção!** **Para reparar o produto utilize apenas detalhes idênticos. A especificação dos componentes pode ser encontrada na documentação que acompanha a embalagem de casa.**



**Desejamos-lhe sucesso total com a instalação da casa de jardim e muita alegria com esta casa por muitos anos!**

## 2 Manual de instalação

### Ferramentas e preparação de componentes

Para montar a casa de jardim irá necessitar as seguintes ferramentas:



ajuda na montagem



escada



martelo



nível de água



chave de fendas



serrote



faca



fita métrica



alicates



conjunto de brocas



ficheiro



chave inglesa ajustável



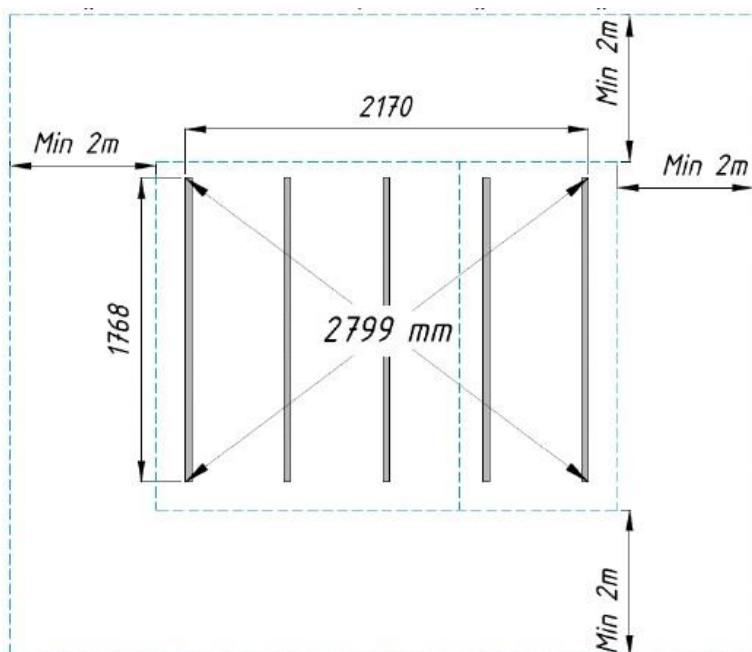
lápiz

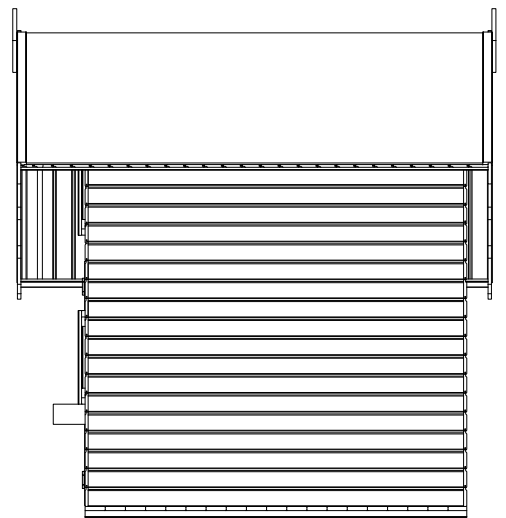
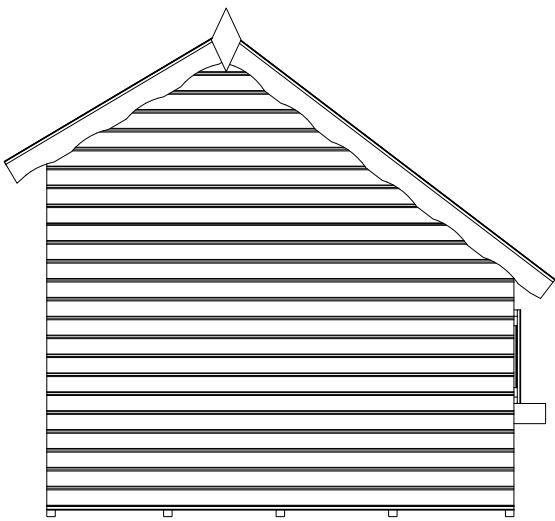
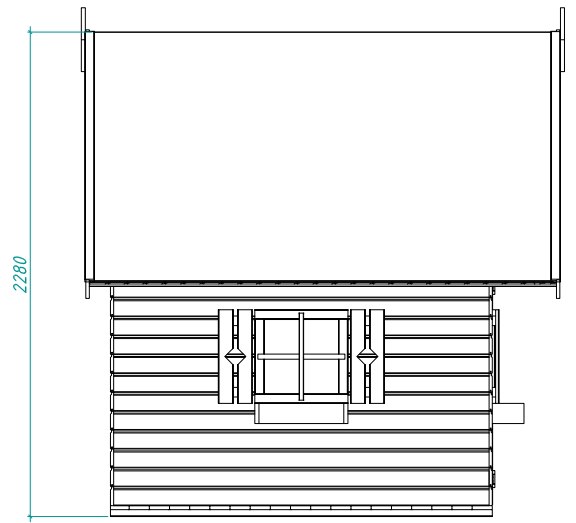
**CONSELHO:** Para evitar possíveis lesões com lascas, recomendamos a utilização de luvas protetoras durante o processo de montagem. Para proteger os seus olhos do pó das serragens, recomendamos a utilização de óculos protetores durante o processo de montagem.

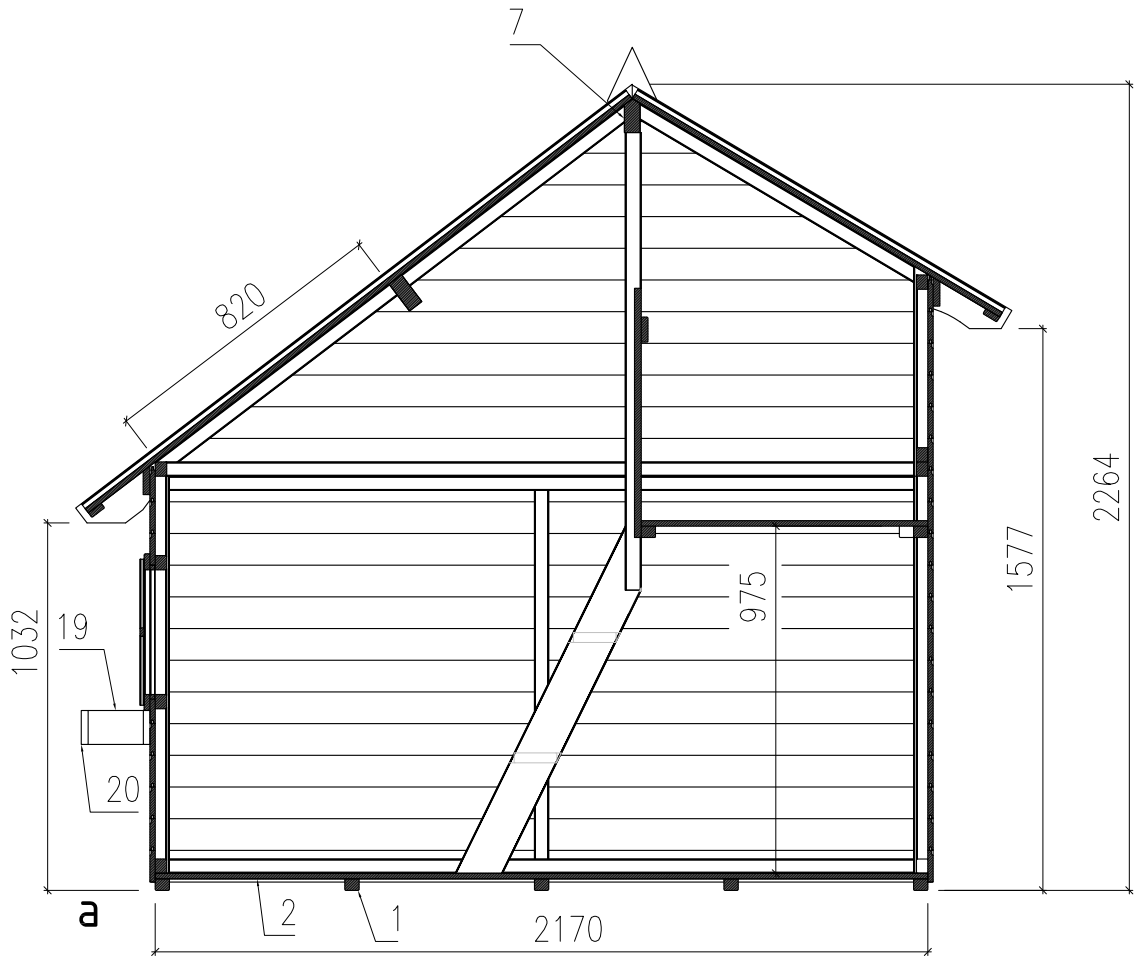
Antes de aparafusar faça um furo de forma a evitar que a madeira crie rachas.

Todos os parafusos salientes e as arestas afiadas devem ser aplainados suavemente imediatamente após a instalação para evitar possíveis ferimentos.

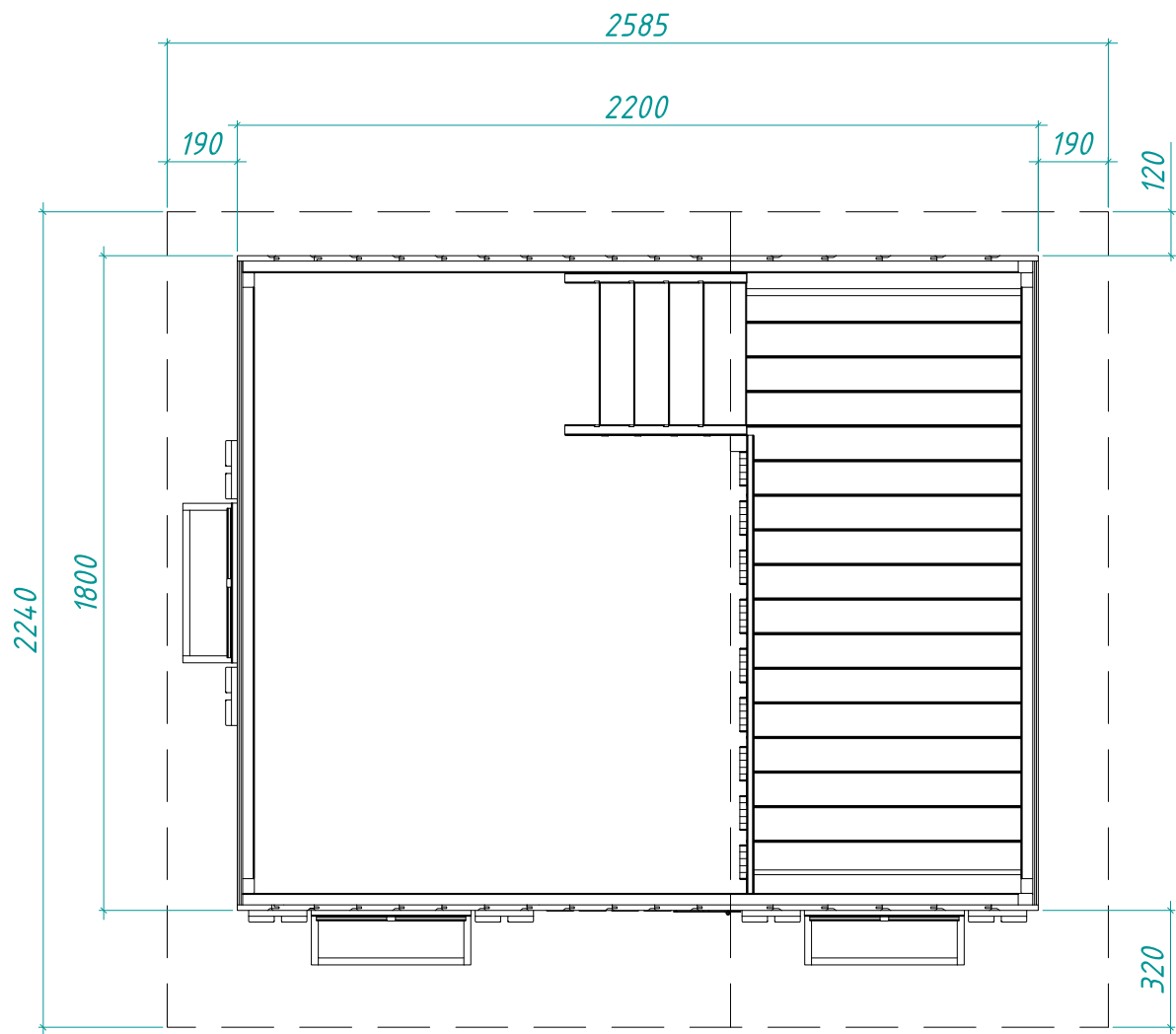
Nivele o terreno e instale as vigas de fundação, de acordo com o desenho abaixo:

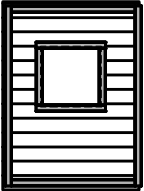
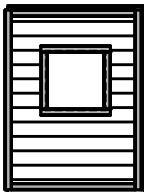
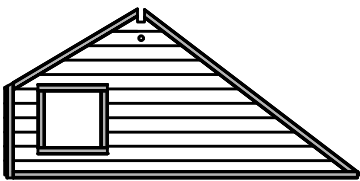
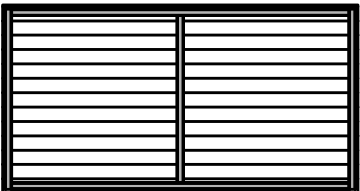
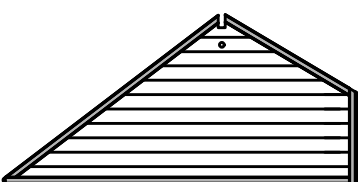
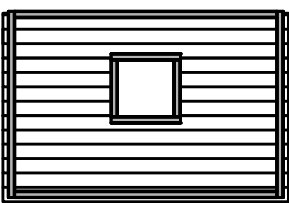
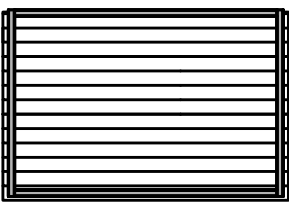



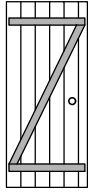
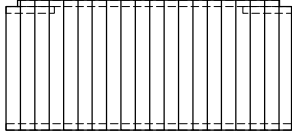
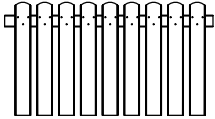

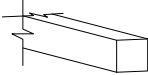
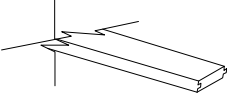
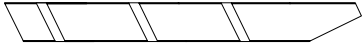
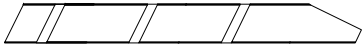
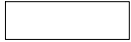
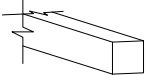
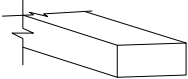
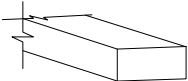


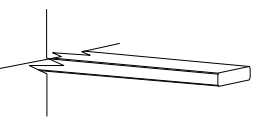
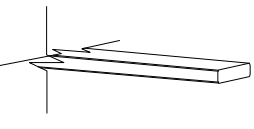
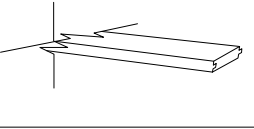
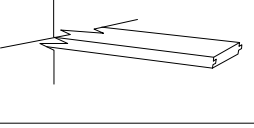
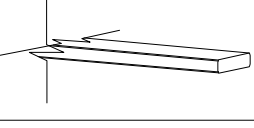
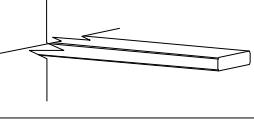
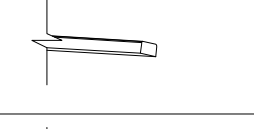
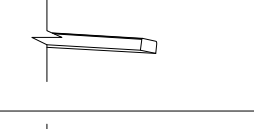
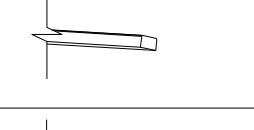
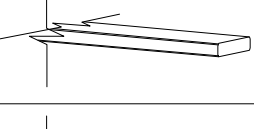
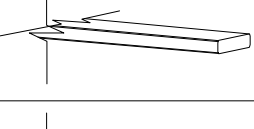
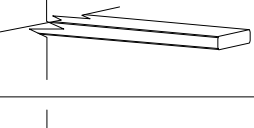
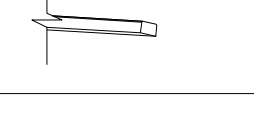
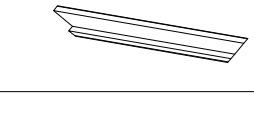


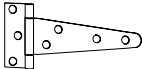

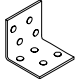
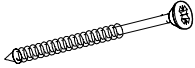




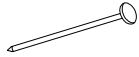

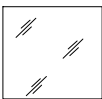




□□1		845 x 1167 x 48	1
□□2		845 x 1167 x 48	1
□□3		2200 x 1047 x 48	1
□□4		2200 x 1167 x 48	1
□□5		2200 x 1047 x 48	1
□□6		1768 x 1180 x 48	1
□□7		1768 x 1180 x 48	1
□□8		1768 x 548 x 48	1

EL9		482 x 1150 x 48	1
EL10		805 x 1768 x 48	1
EL11		1290 x 700 x 35	1
EL12		160 x 440 x 32	8
1		32 x 40 x 1768	5
2		16 x 89 x 2170	20
3		28 x 120 x 1106	1
4		28 x 120 x 1106	1
5		28 x 120 x 400	3
6		45 x 45 x 1285	1
7		44 x 95 x 2200	1
8		44 x 95 x 1768	1

9		80 x 19 x 2200	1
10		80 x 19 x 2200	1
11		16 x 89 x 1920	25
12		16 x 89 x 1200	25
13		16 x 120 x 1965	2
14		16 x 120 x 1240	2
15		16 x 45 x 1965	2
16		16 x 45 x 1240	2
17		16 x 45 x 2200	2
18		19 x 120 x 270	2
19		19 x 95 x 193	6
20		19 x 95 x 400	9
21		12 x 24 x 410	8
22		29 x 45 x 435	16

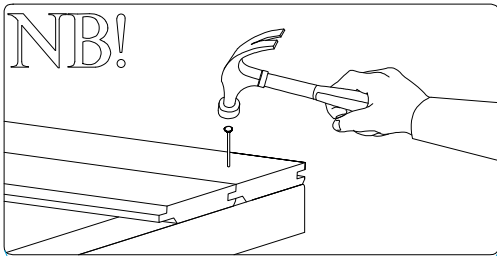
F1		150 mm	2
F3		45 x 15 x 13	1
F4		40 x 40 x 40	8
F5		Ø 4.5 x 70	90
F6		Ø 4.5 x 50	54
F7		Ø 3.5 x 40	76
F8		Ø 3.5 x 30	64
F9		Ø 3 x 16	34
F10		Ø 2.5 x 50	225
F11		1.4 x 40	64
F12		370 x 370 x 1.5	4



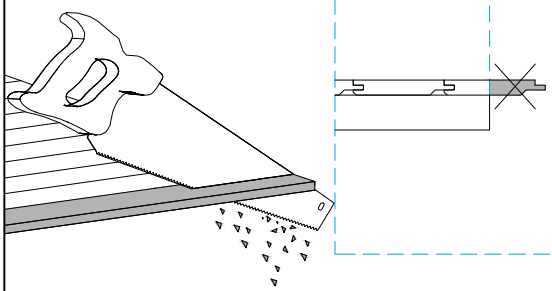
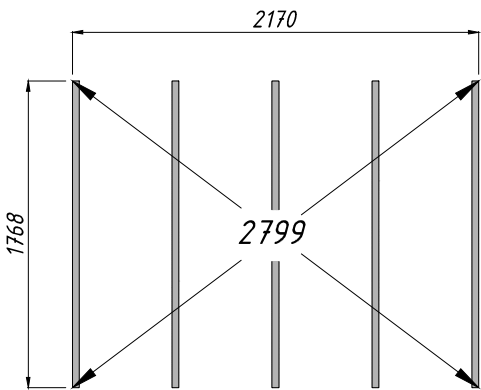
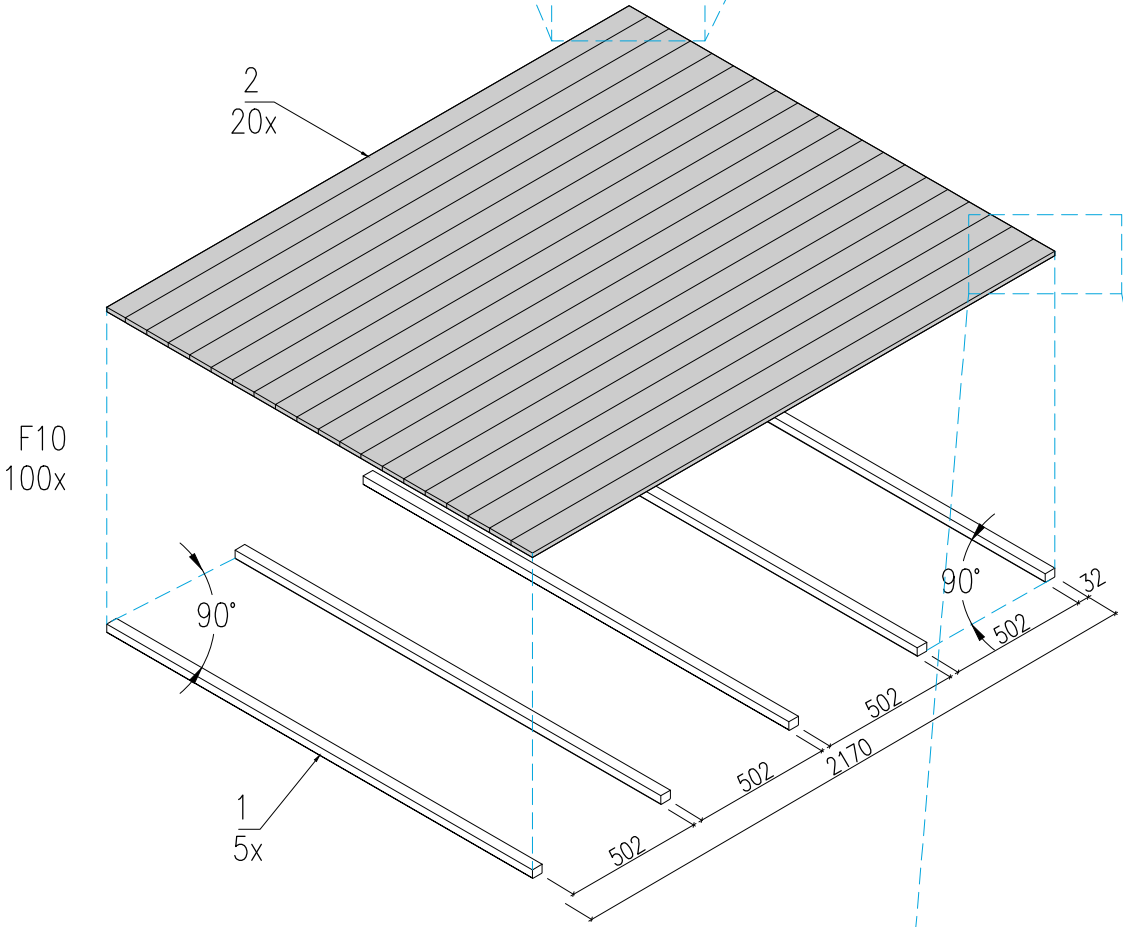
## 2. Assembly manual. ELBD 16-2218



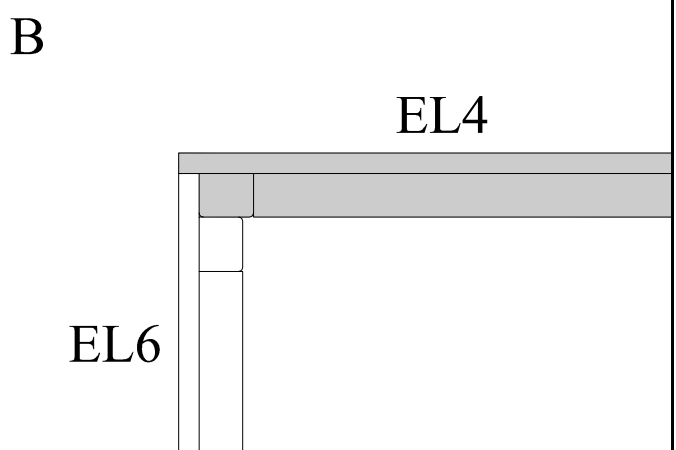
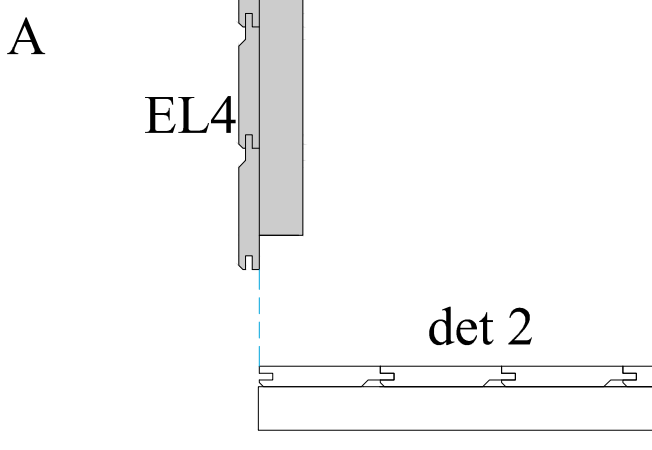
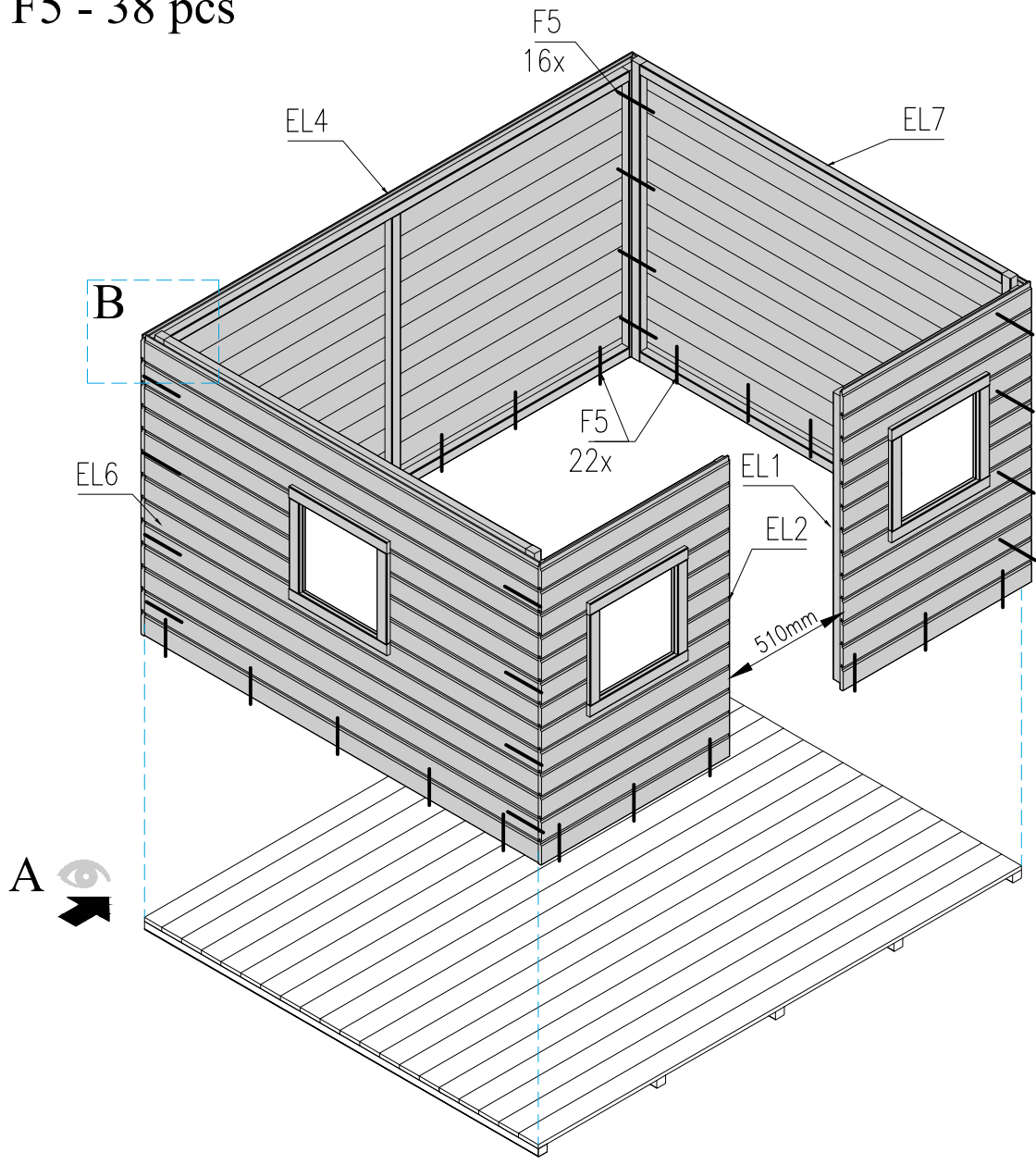
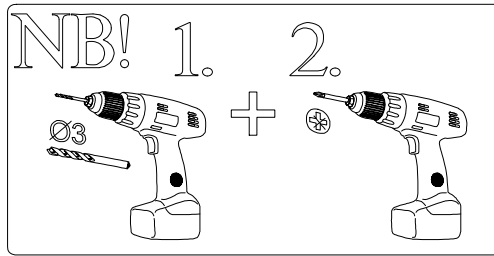
det 1 - 5 pcs  
det 2 - 20 pcs  
F10 - 100 pcs



1

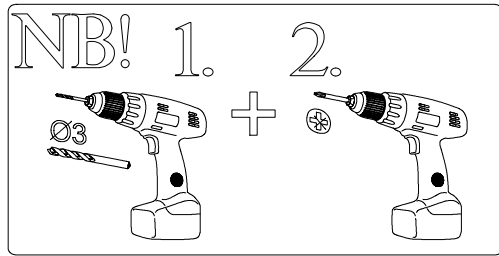


- EL1 - 1 pcs
- EL2 - 1 pcs
- EL4 - 1 pcs
- EL6 - 1 pcs
- EL7 - 1 pcs
- F5 - 38 pcs

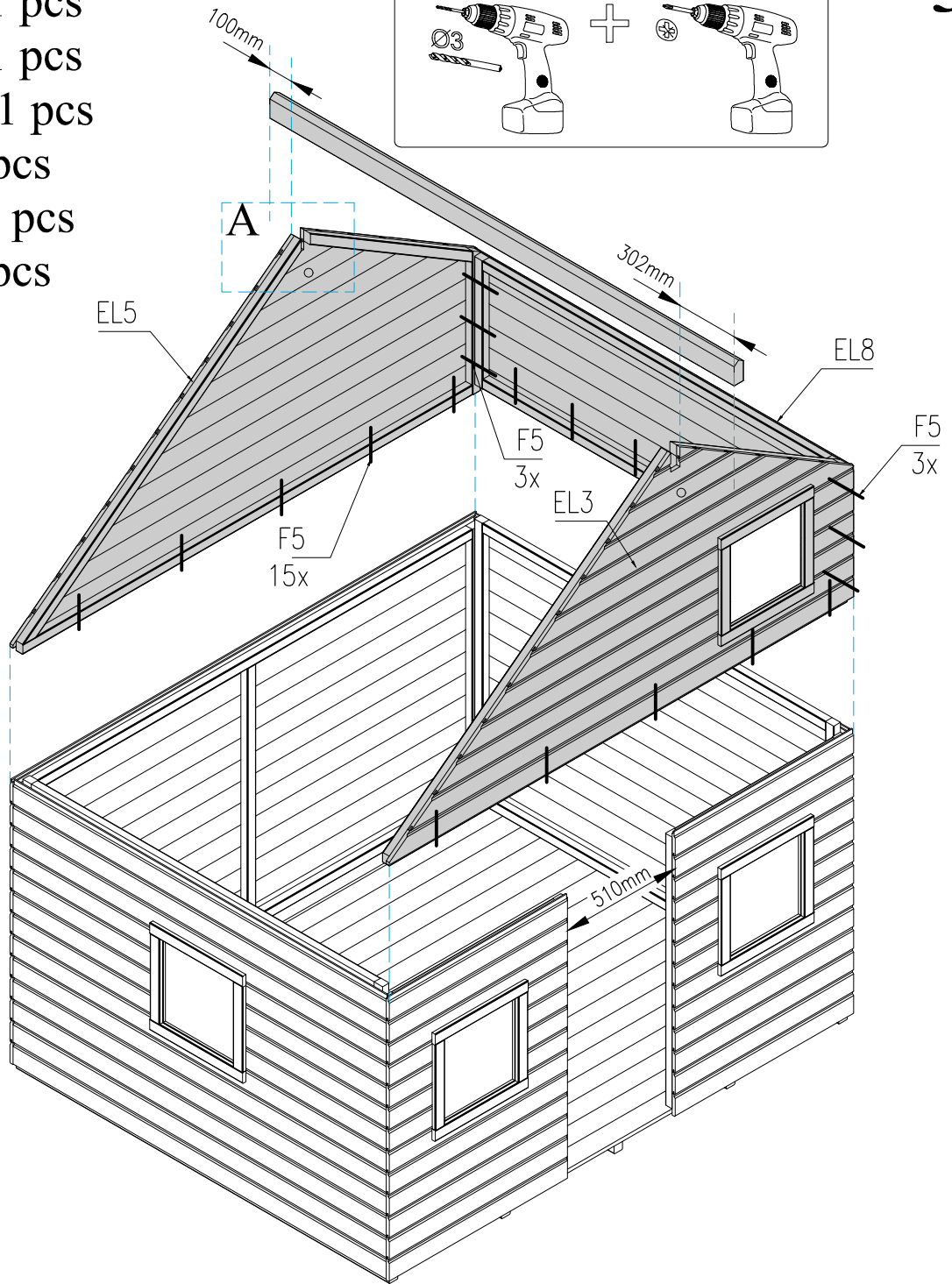




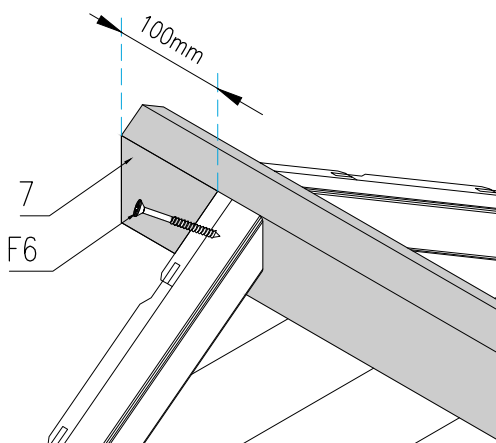
- EL3 - 1 pcs
- EL5 - 1 pcs
- EL8 - 1 pcs
- det 7 - 1 pcs
- F3 - 1 pcs
- F5 - 21 pcs
- F6 - 2 pcs



3

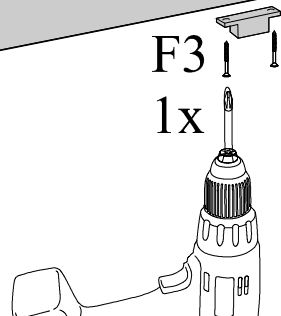


A



EL3

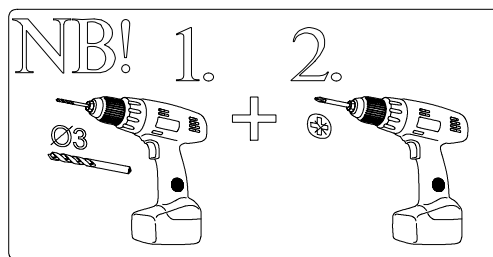
F3  
1x



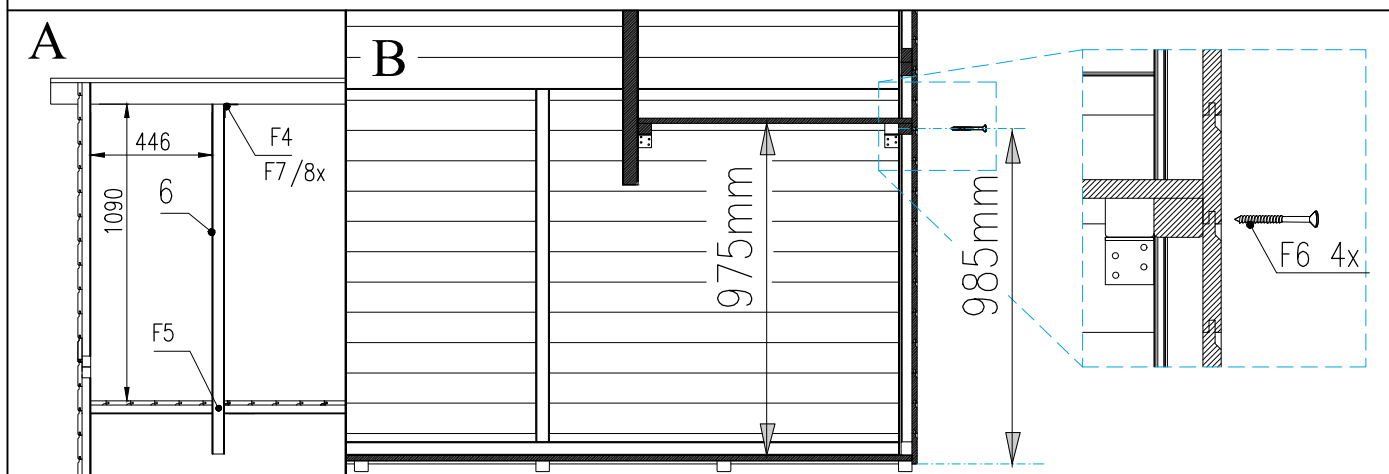
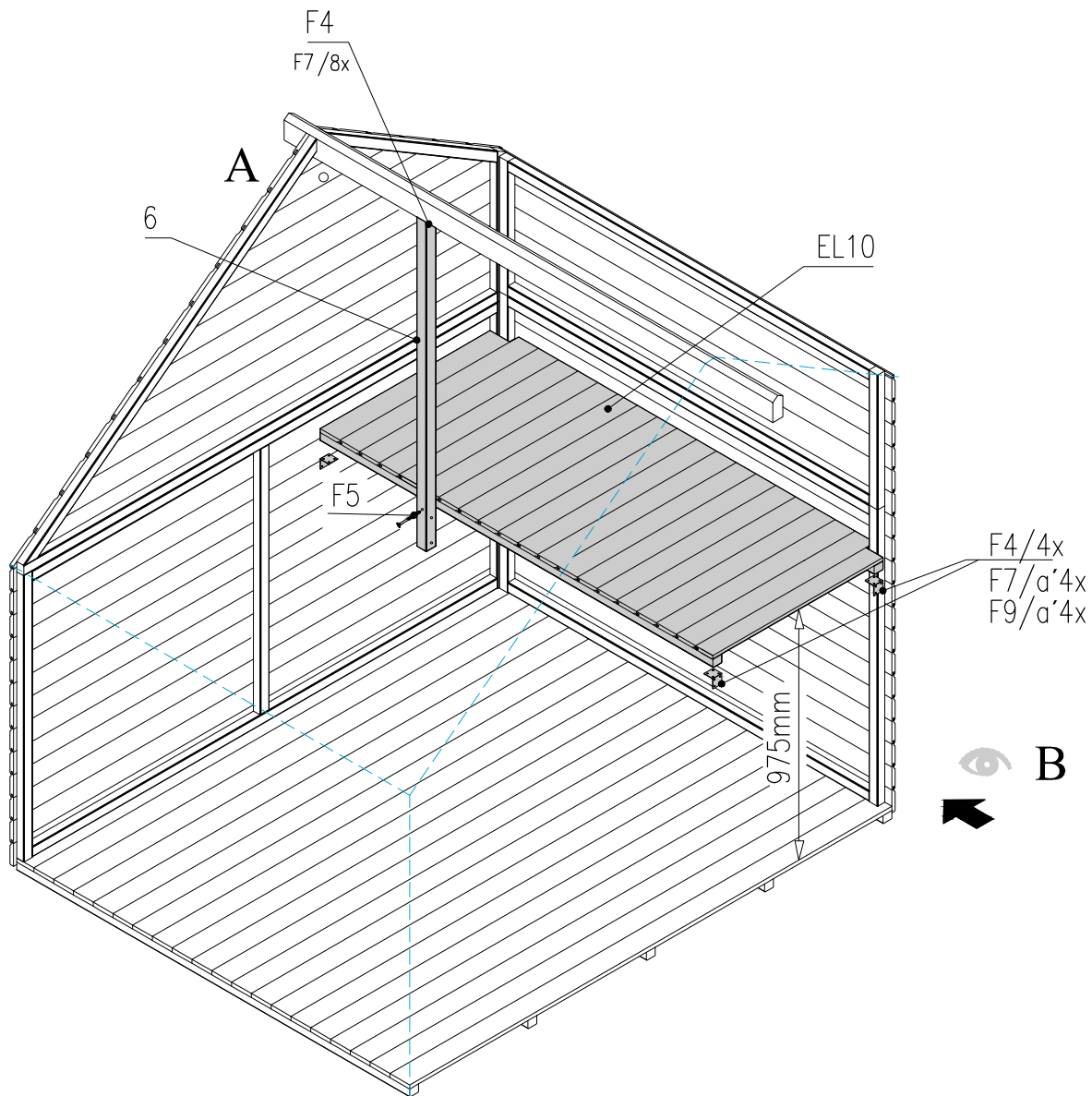
EL2

EL10 - 1 pcs  
 det 6 - 1 pcs  
 F4 - 5 pcs  
 F5 - 1 pcs  
 F6 - 4 pcs

F7- 24 pcs  
 F9- 16 pcs

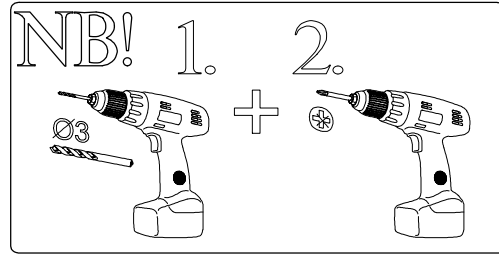


4

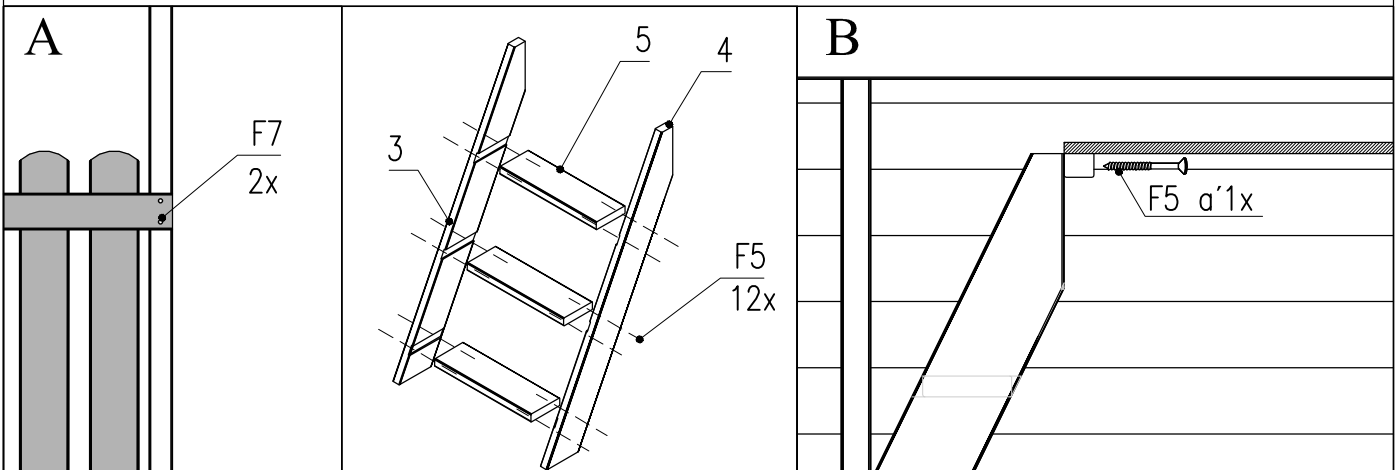
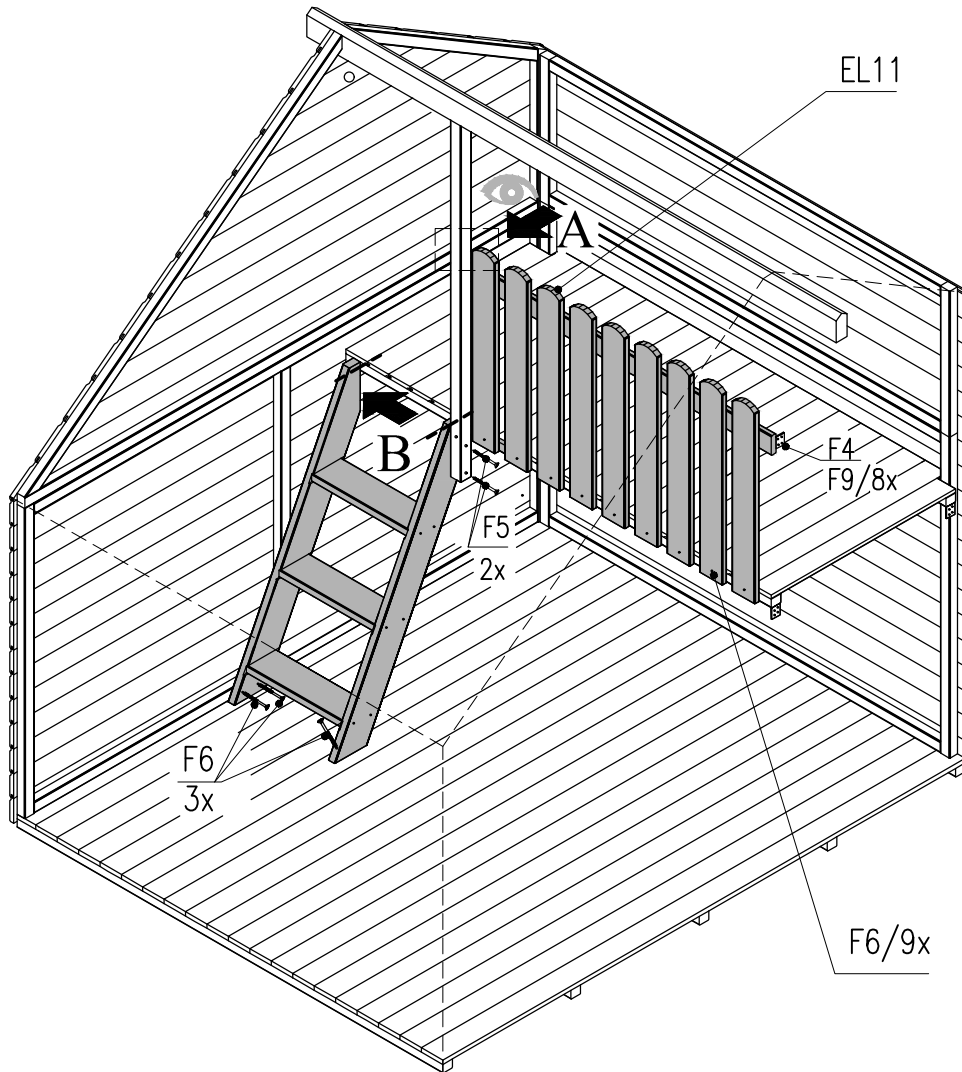


EL11 - 1 pcs  
 det 3 - 1 pcs  
 det 4 - 1 pcs  
 det 5 - 3 pcs  
 F4 - 1 pcs  
 F5 - 16 pcs  
 F6 - 12 pcs

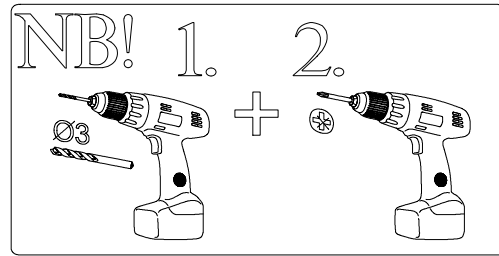
F7- 2 pcs  
 F9- 8 pcs



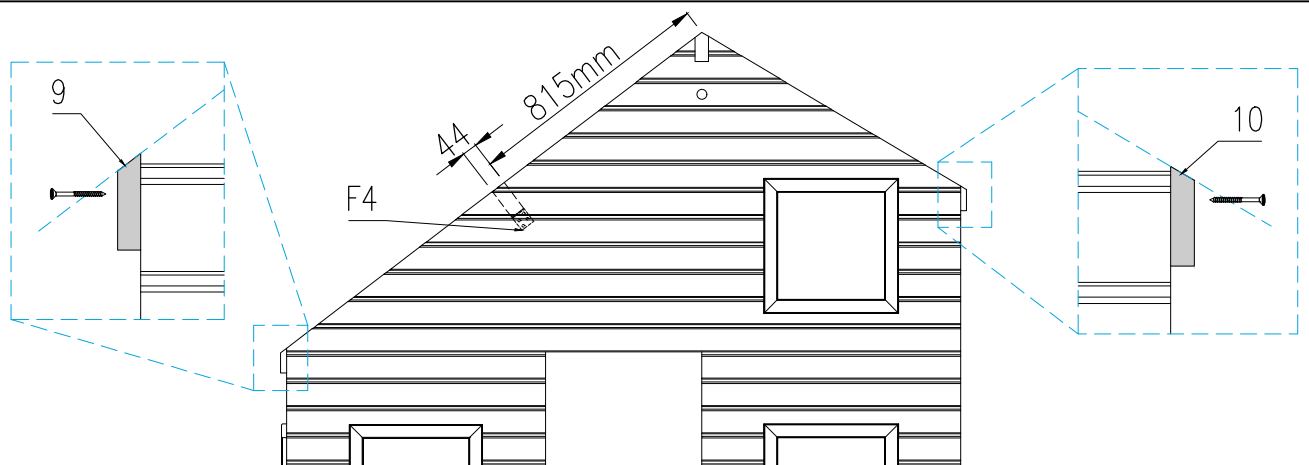
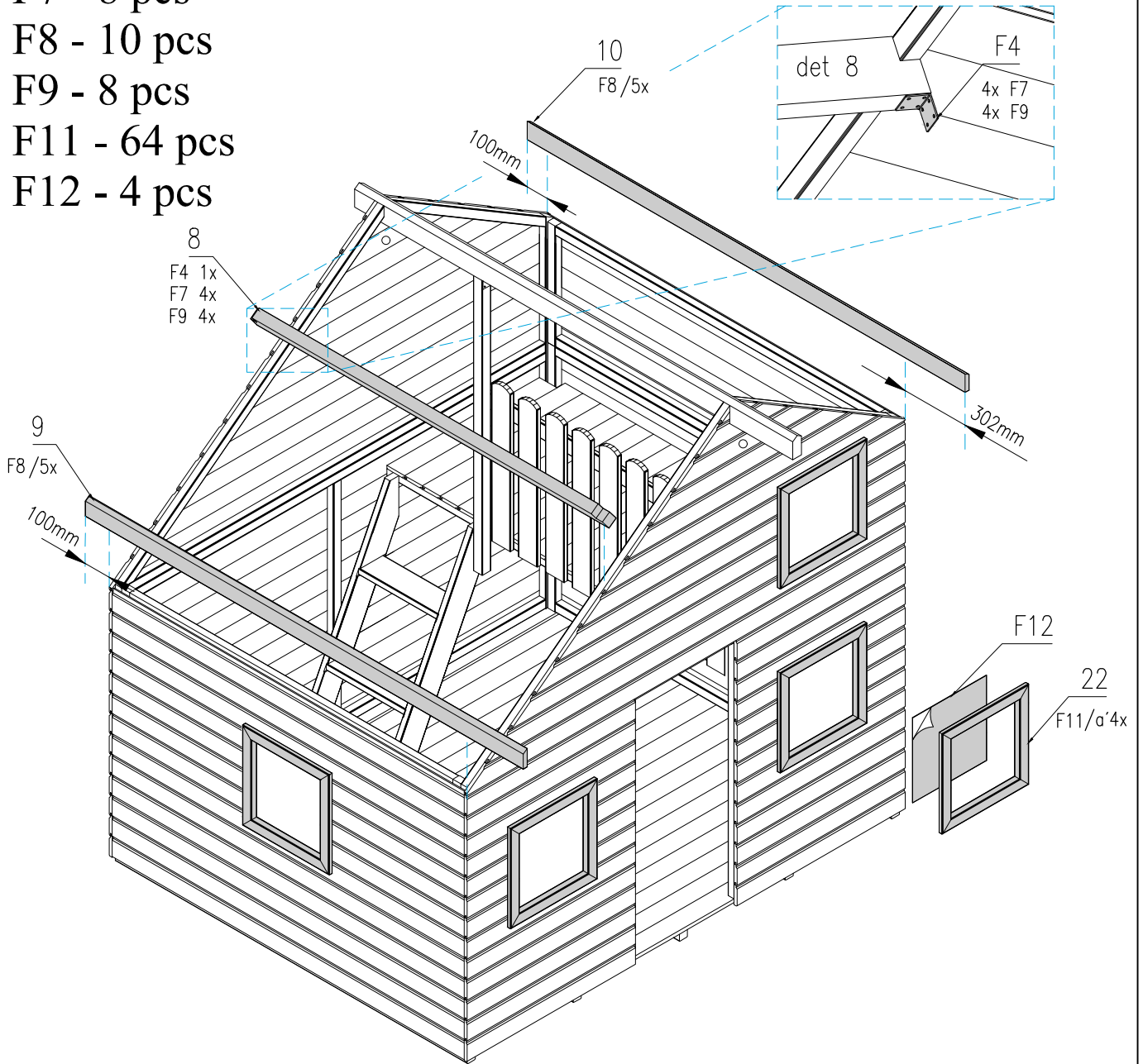
5



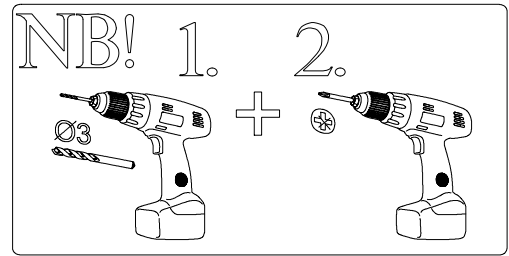
- det 8 - 1 pcs
- det 9 - 1 pcs
- det 10 - 1 pcs
- det 22 - 16 pcs
- F4 - 2 pcs
- F7 - 8 pcs
- F8 - 10 pcs
- F9 - 8 pcs
- F11 - 64 pcs
- F12 - 4 pcs



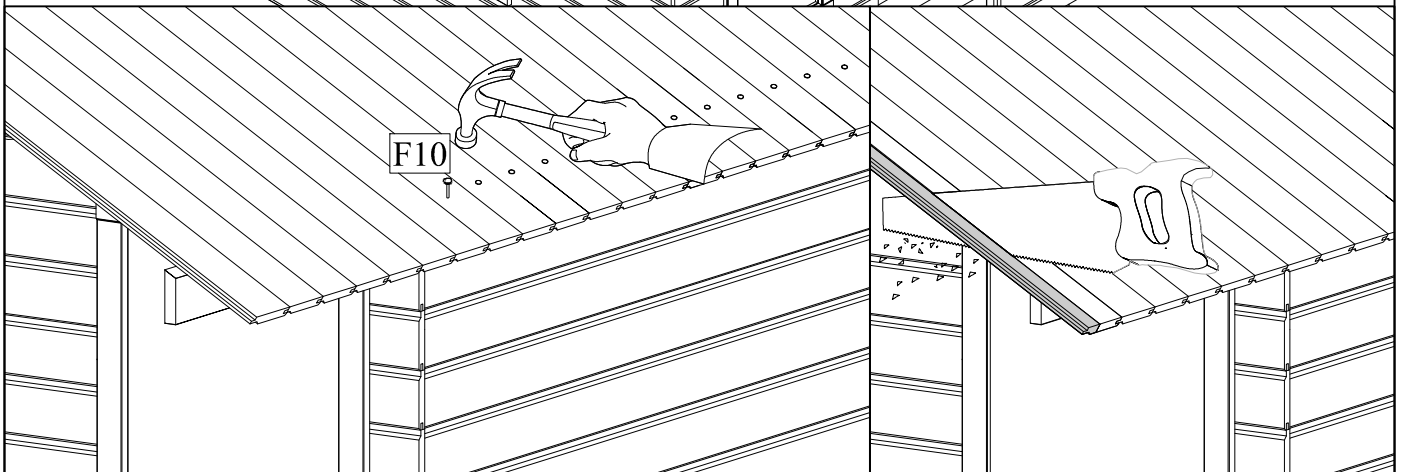
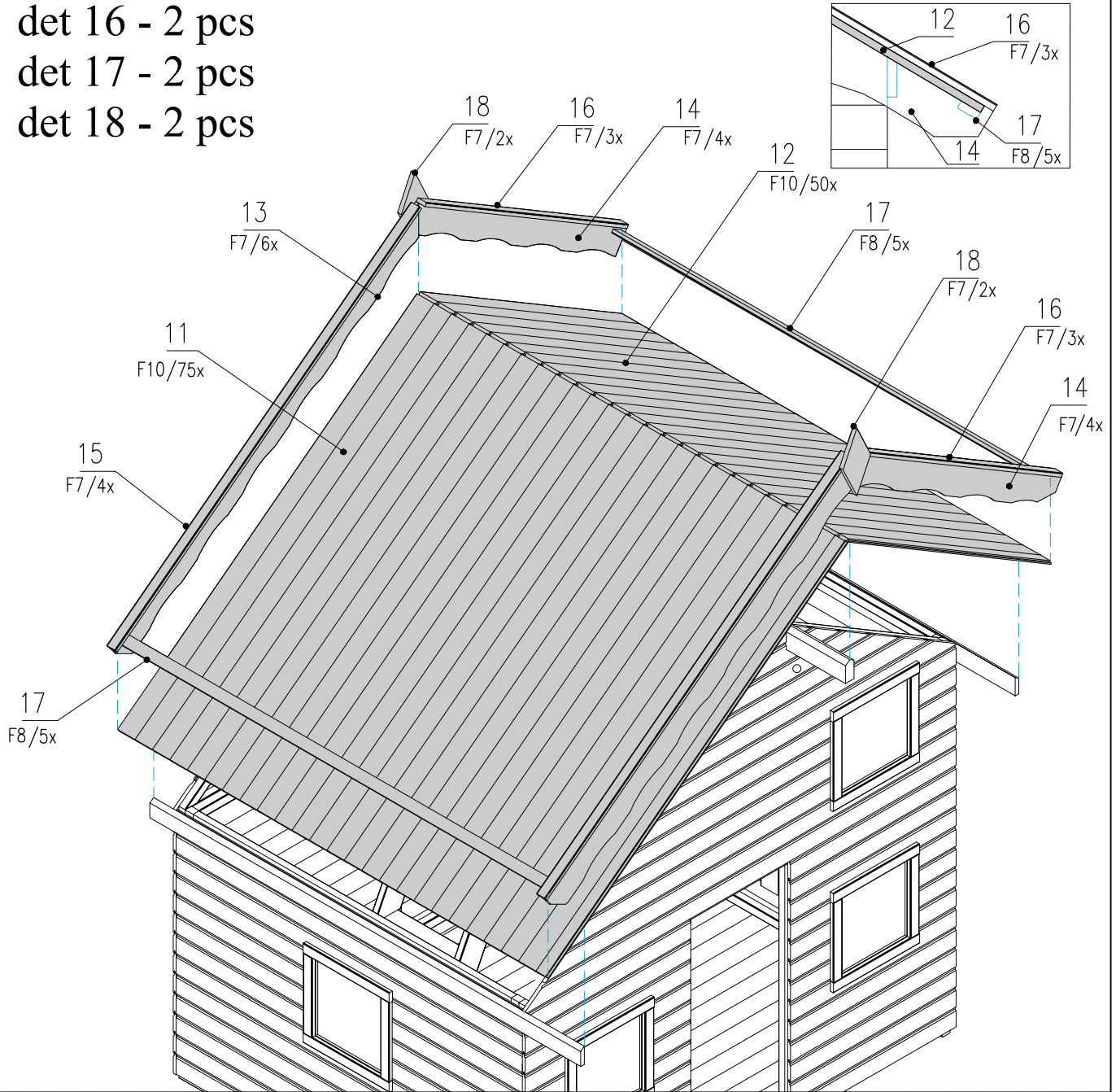
6



- det 11 - 25 pcs
  - det 12 - 25 pcs
  - det 13 - 2 pcs
  - det 14 - 2 pcs
  - det 15 - 2 pcs
  - det 16 - 2 pcs
  - det 17 - 2 pcs
  - det 18 - 2 pcs
- F7 - 40 pcs
  - F8 - 10 pcs
  - F10 - 125 pcs



7



EL 9 - 1 pcs

det 19 - 6 pcs

det 20 - 9 pcs

F1 - 2 pcs

F3 - 1 pcs

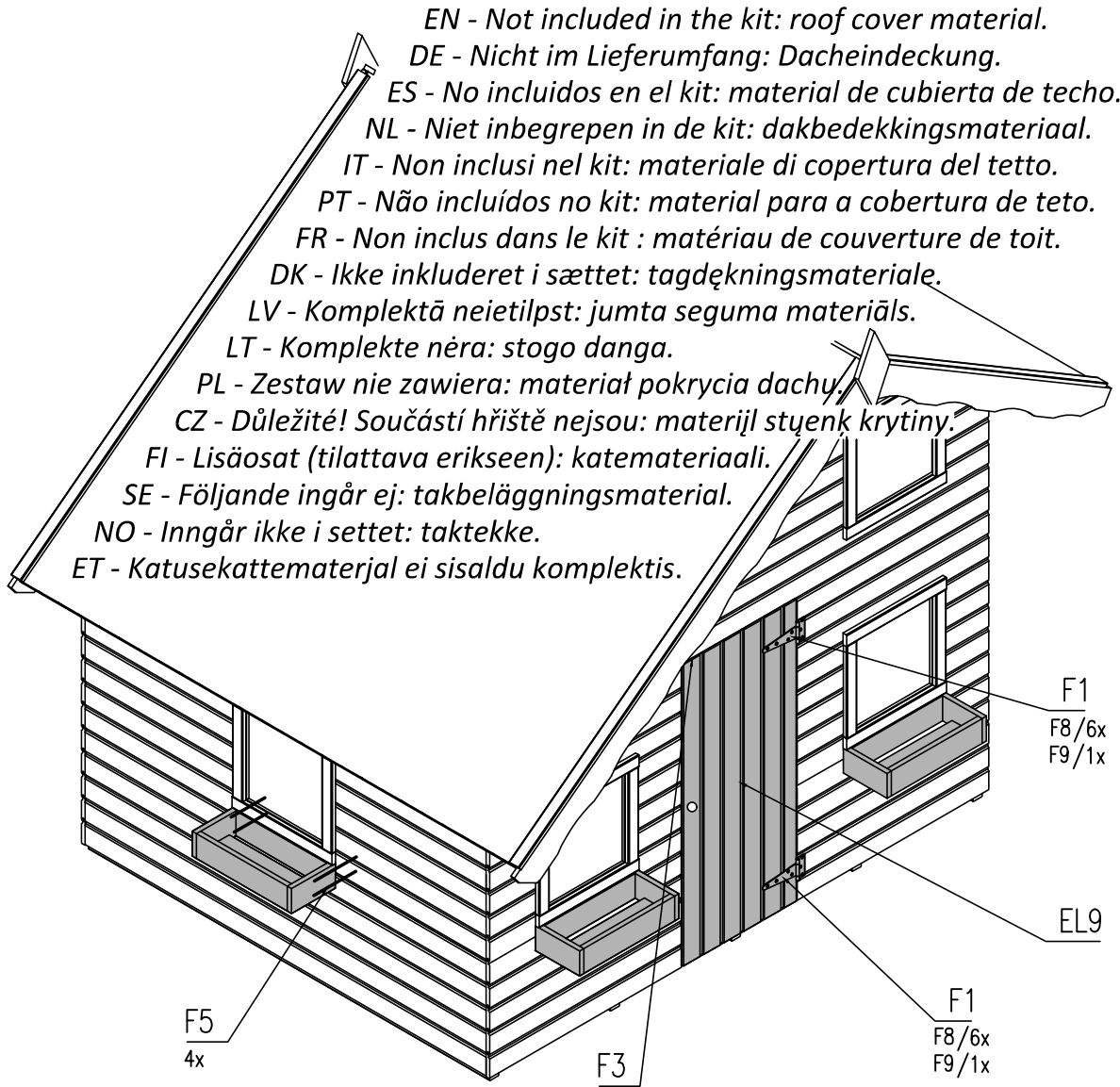
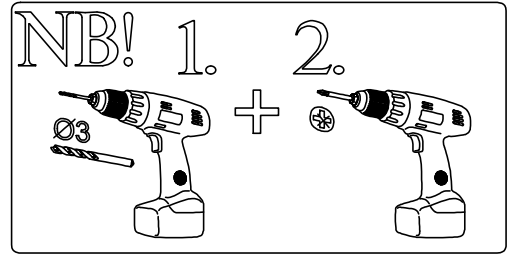
F5 - 12 pcs

F6 - 36 pcs

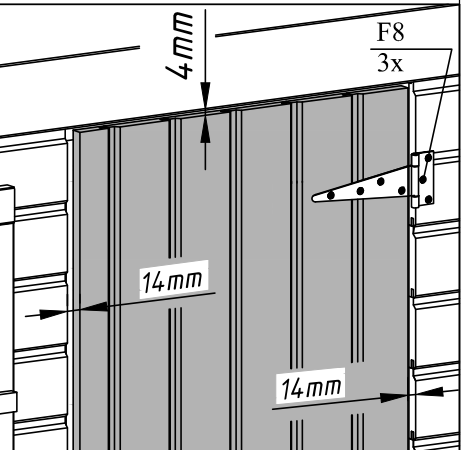
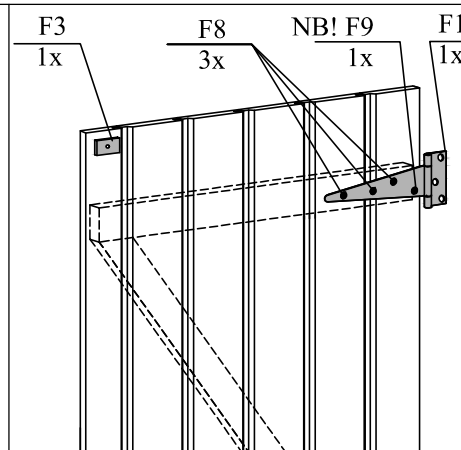
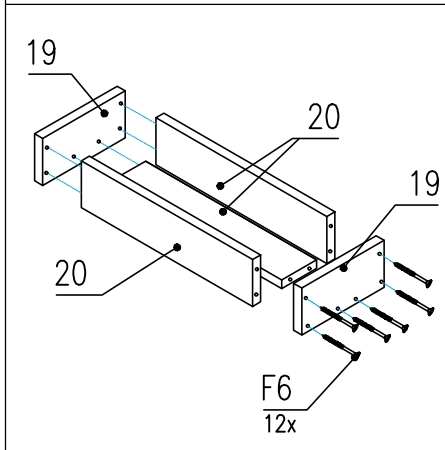
F7 - 2 pcs

F8 - 12 pcs

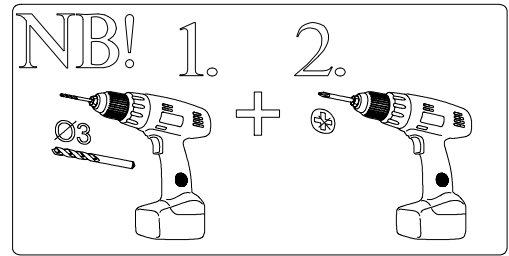
F9 - 2 pcs



EN - Not included in the kit: roof cover material.  
 DE - Nicht im Lieferumfang: Dacheindeckung.  
 ES - No incluidos en el kit: material de cubierta de techo.  
 NL - Niet inbegrepen in de kit: dakbedekkingsmateriaal.  
 IT - Non inclusi nel kit: materiale di copertura del tetto.  
 PT - Não incluídos no kit: material para a cobertura de teto.  
 FR - Non inclus dans le kit : matériau de couverture de toit.  
 DK - Ikke inkluderet i sættet: tagdækningsmateriale.  
 LV - Komplektā neietilpst: jumta seguma materiāls.  
 LT - Komplekte nėra: stogo dangas.  
 PL - Zestaw nie zawiera: materiał pokrycia dachu.  
 CZ - Důležité! Součástí hříště nejsou: materiál stěnek krytiny.  
 FI - Lisäosat (tilattava erikseen): katemateriaali.  
 SE - Följande ingår ej: takbeläggningmaterial.  
 NO - Inngår ikke i settet: taktekke.  
 ET - Katusekattematerjal ei sisaldu komplektis.



EL 12 - 8 pcs  
det 21 - 8 pcs  
F8 - 32 pcs



9

