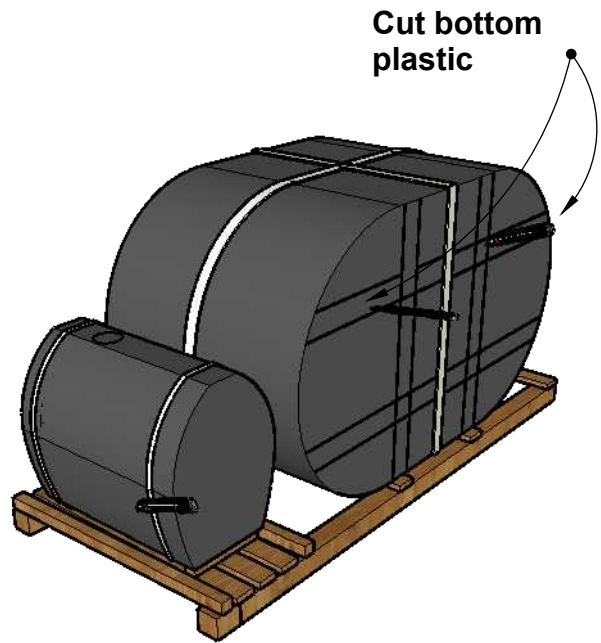
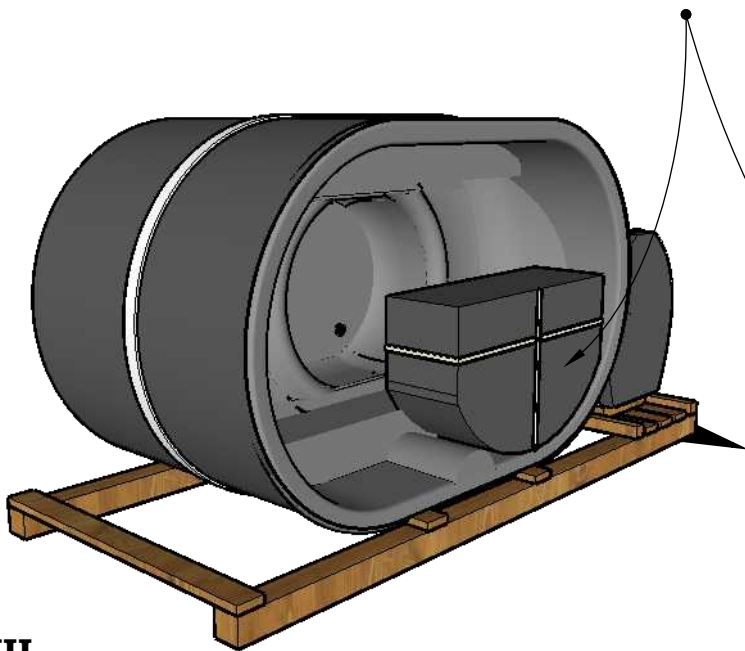


I



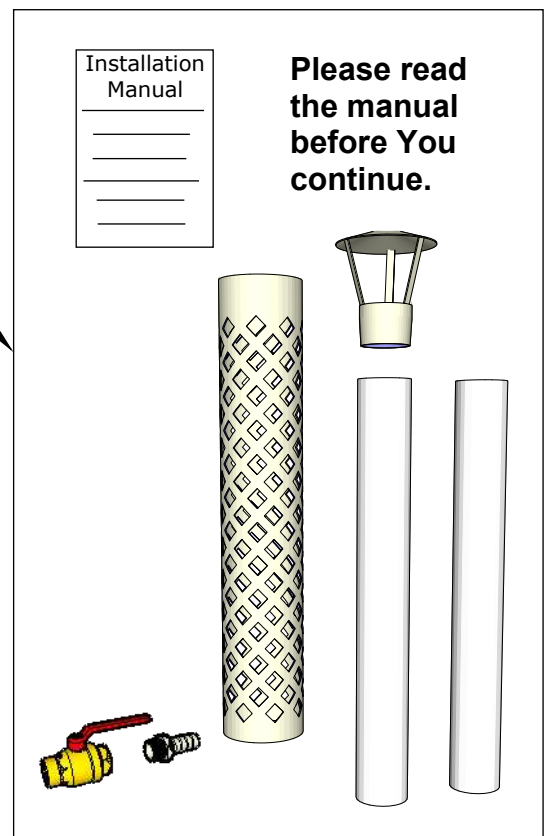
II

Remove parts and make sure that the set is complete.



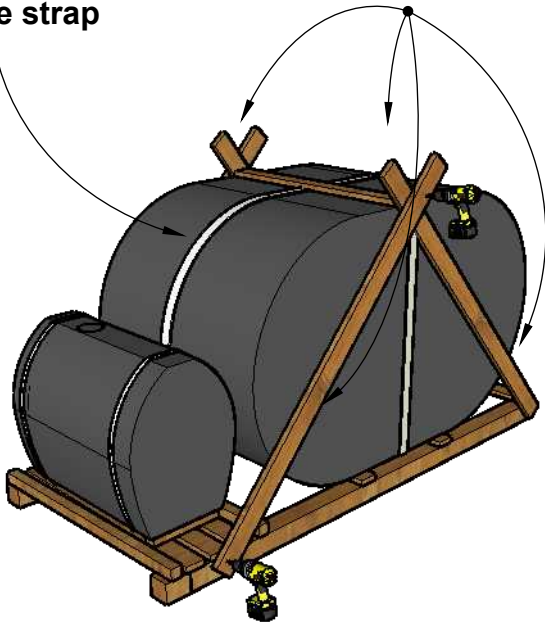
III

Installation Manual	Please read the manual before You continue.



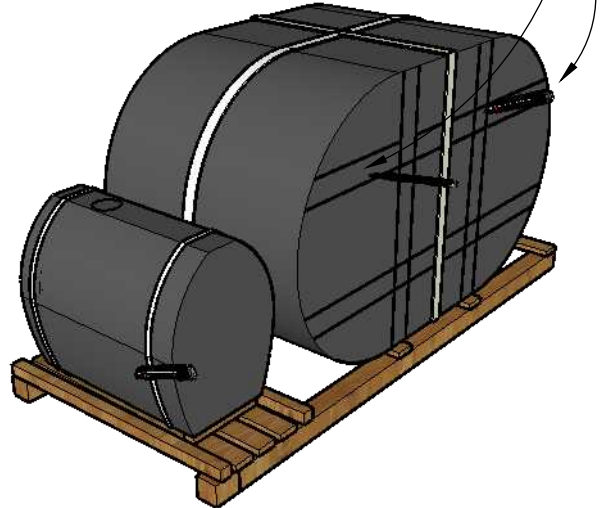
NB! Do not cut the strap

Remove boards



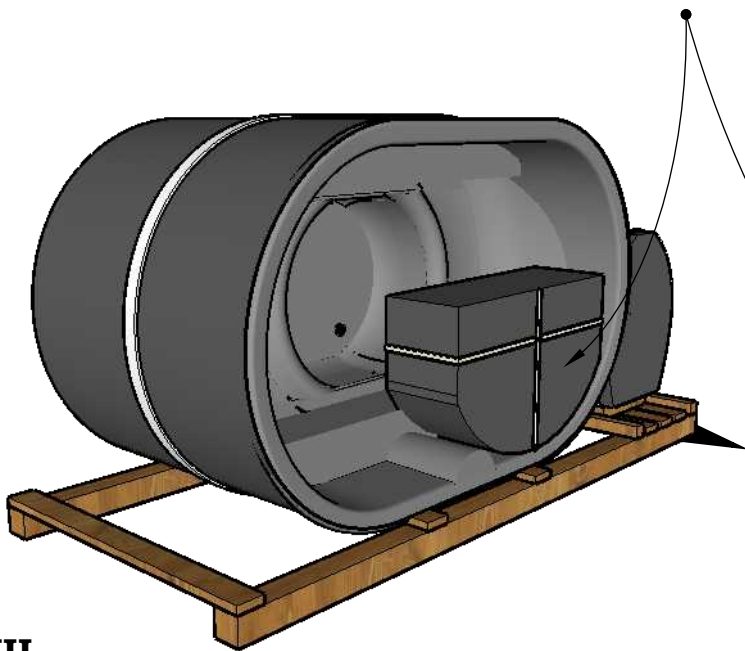
I

Cut bottom plastic



II

Remove parts and make sure that the set is complete.



III

Installation Manual

Please read the manual before You continue.

