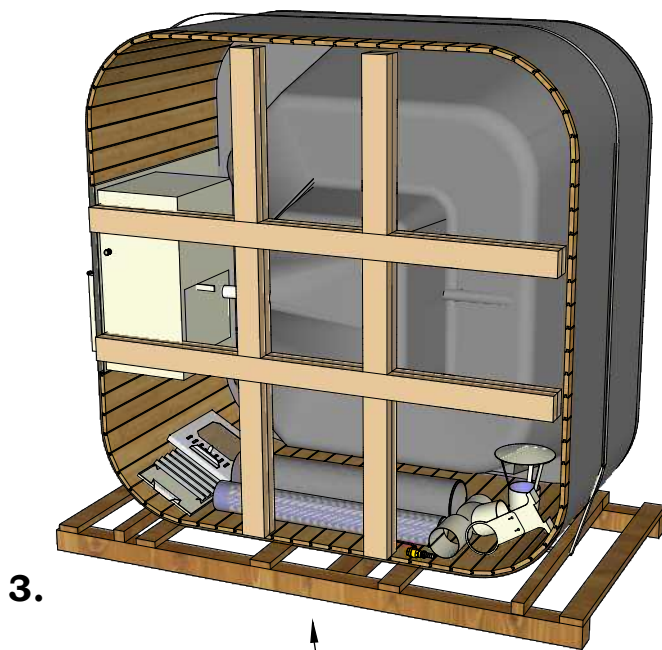
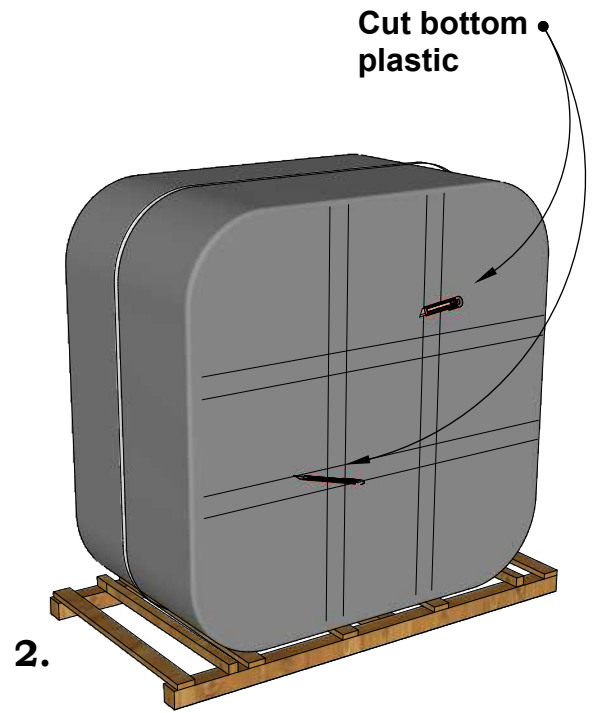
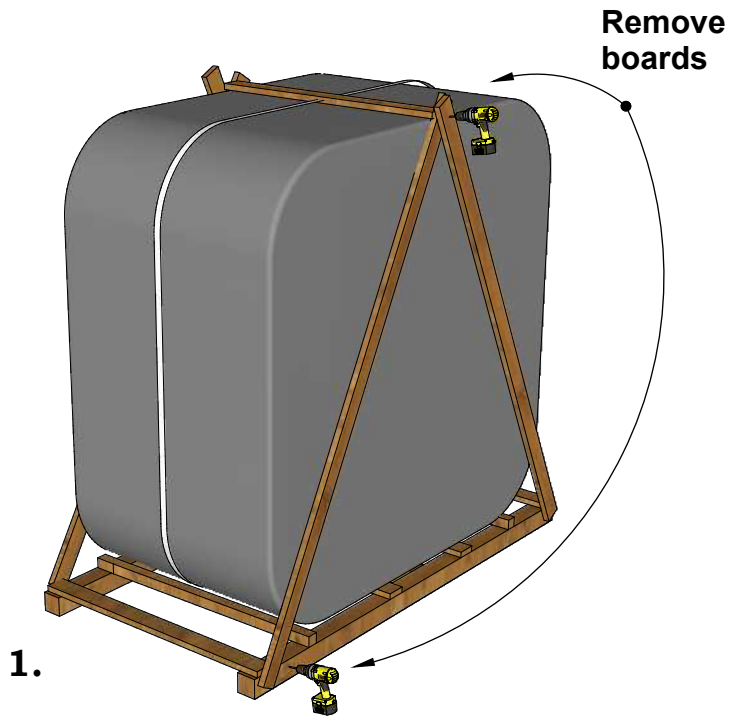
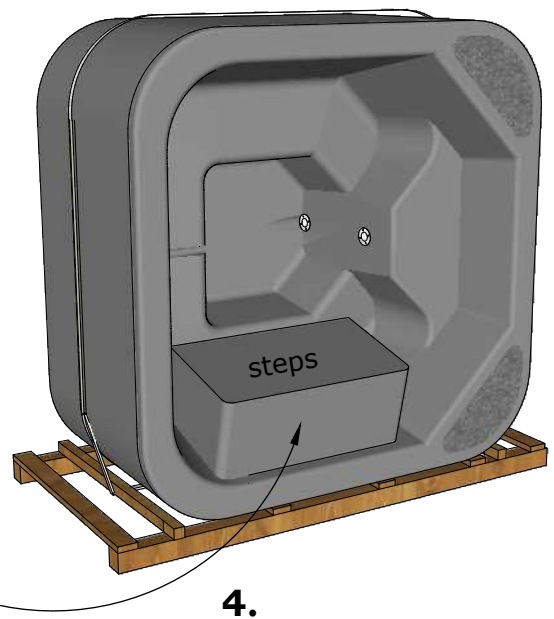


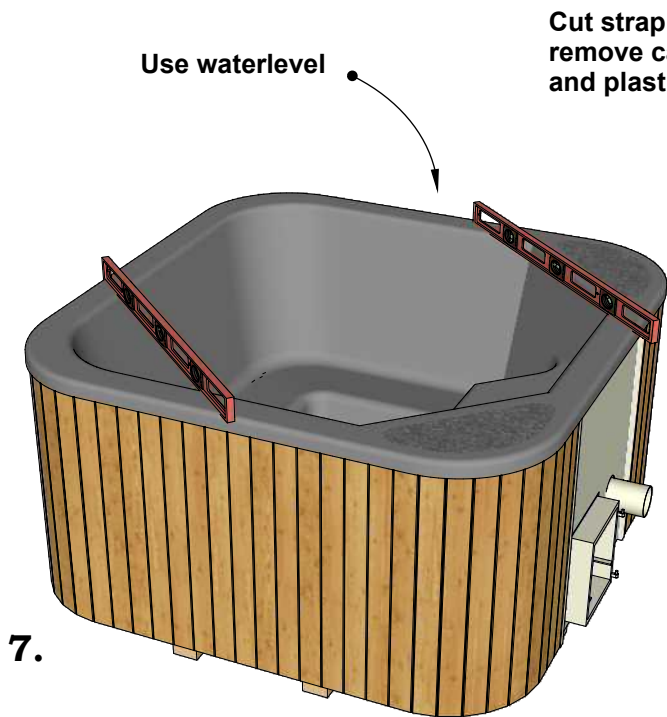
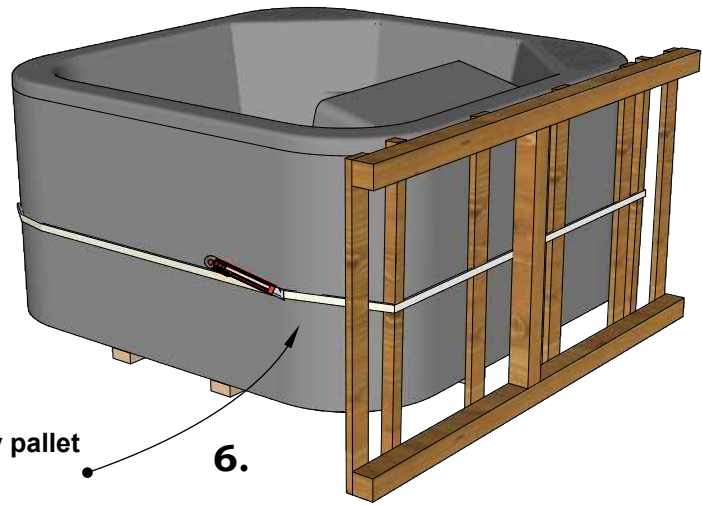
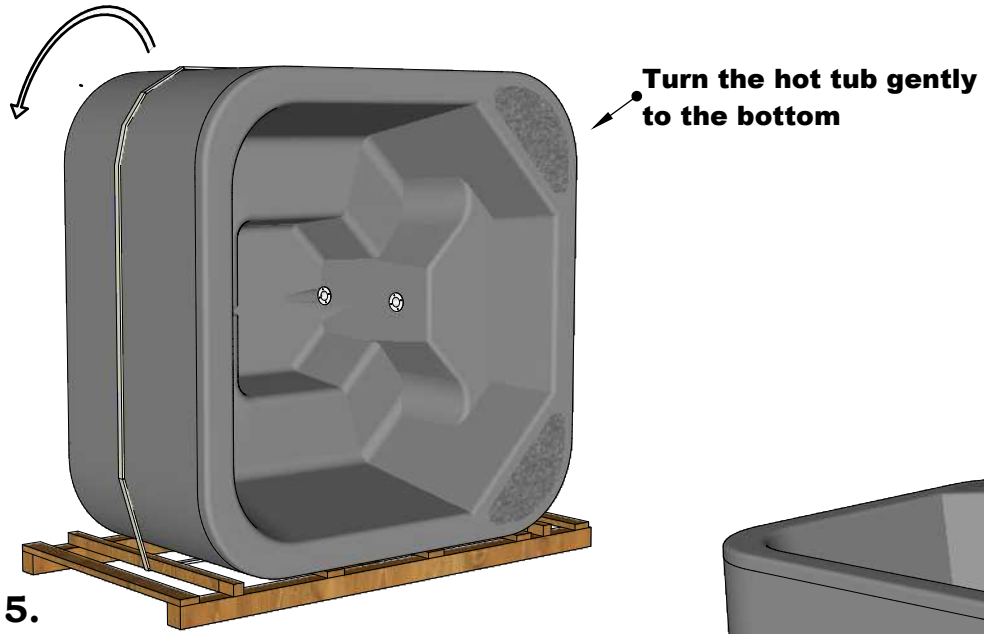
# Icon Tub 200 installation



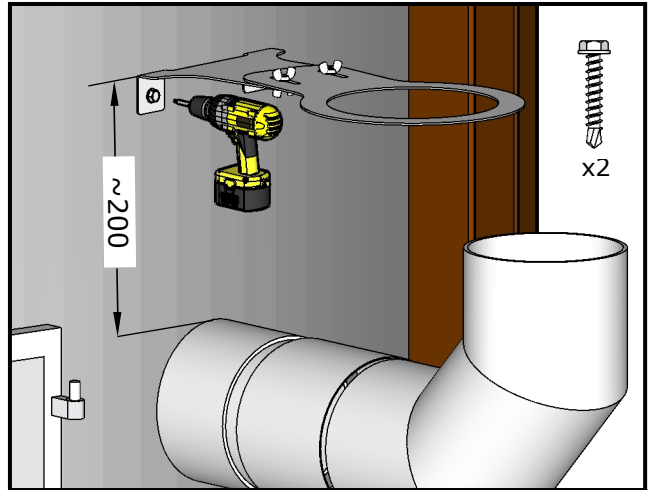
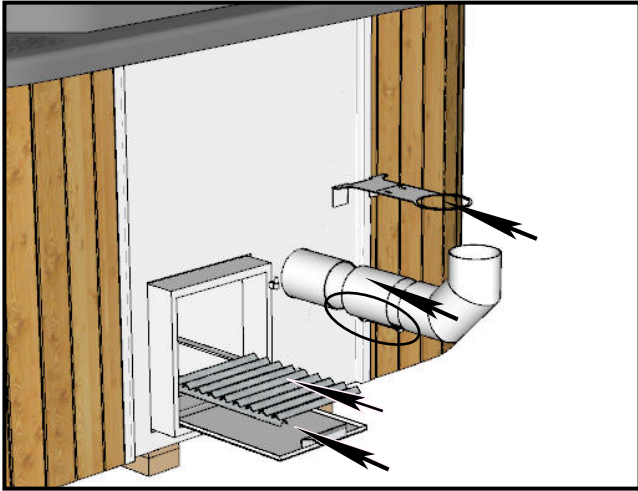
**Remove parts and make sure that the set is complete.**



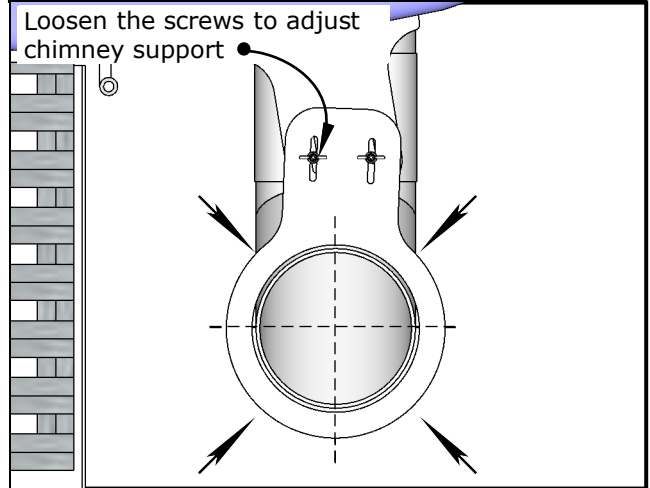
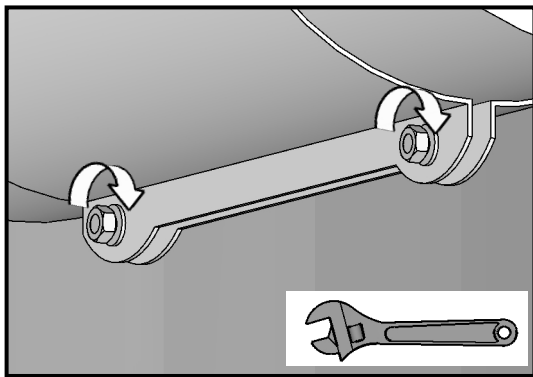
# Icon Tub 200 installation



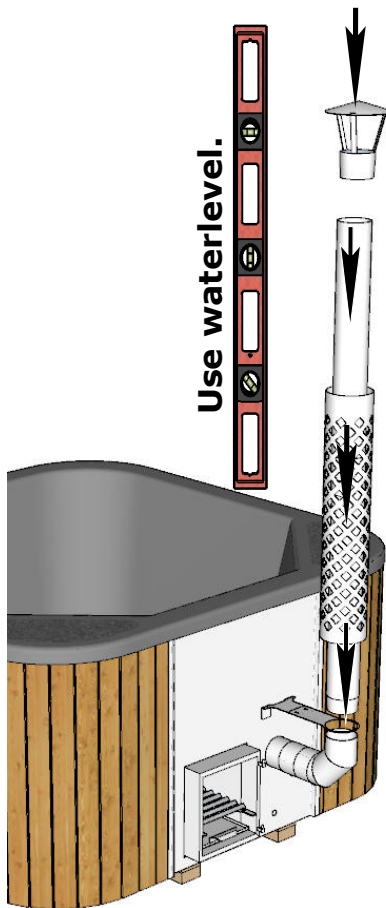
# Icon Tub 200 installation



8.

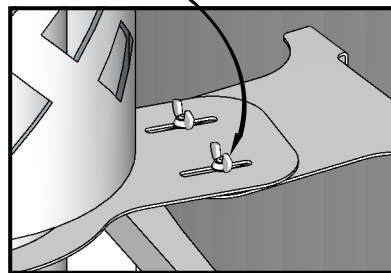


9.

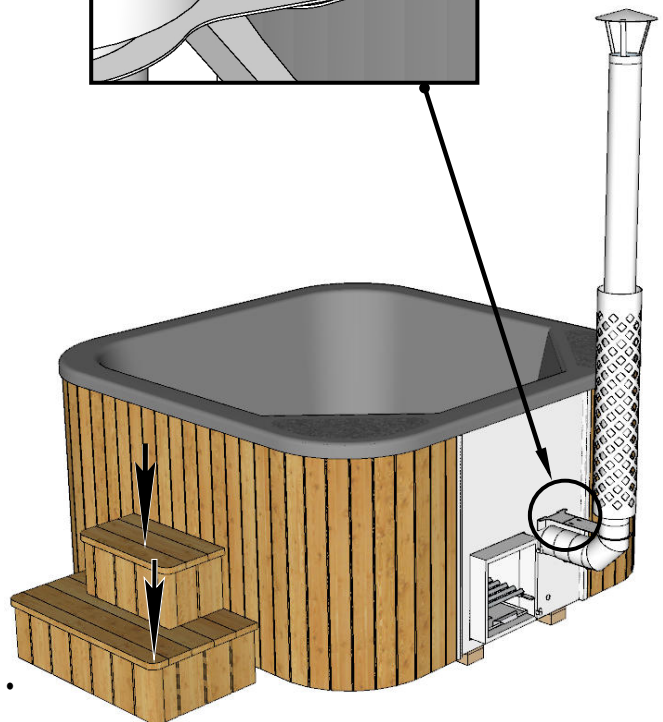


10.

Tighten the screws after chimney is mounted

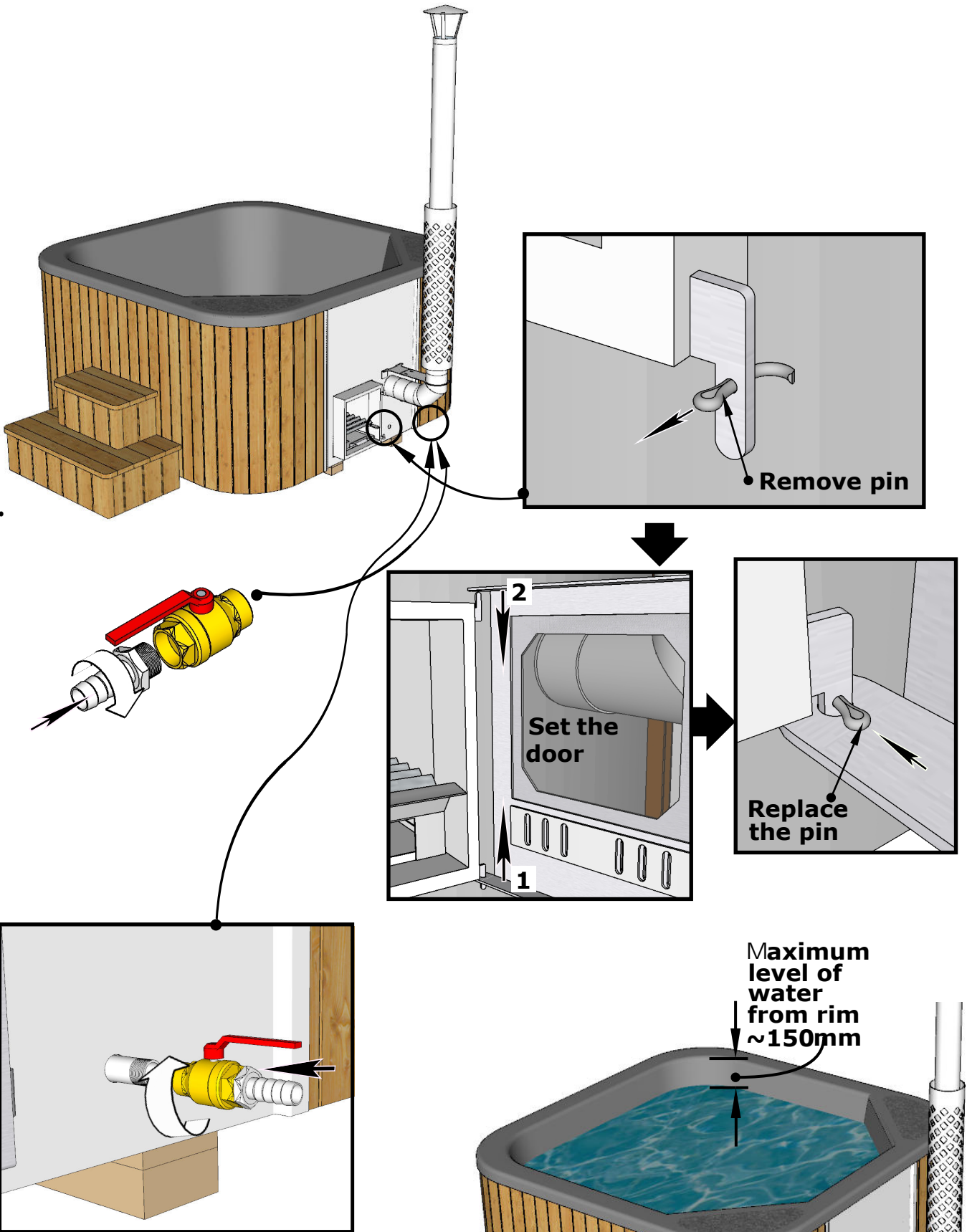


11.



# Icon Tub 200 installation

12.



13.

