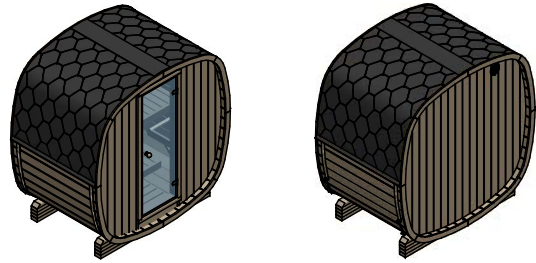


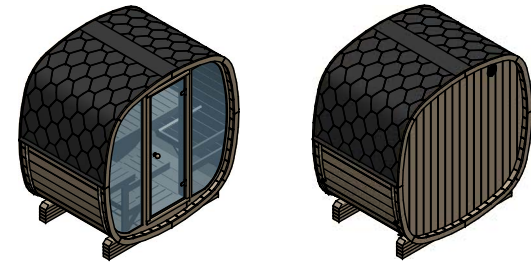
BUS 130 ϕ 200

Serial no:

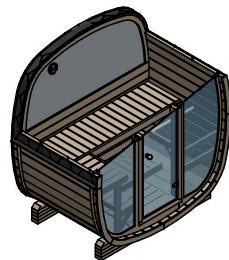
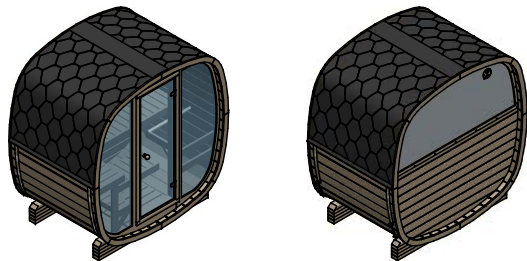
17.01.25



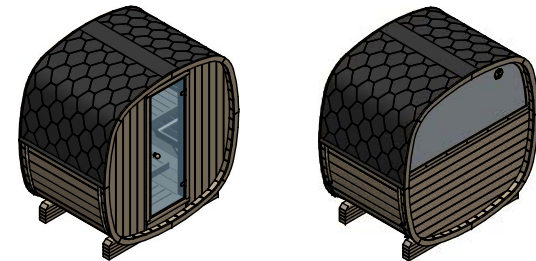
Basic



Extra 1

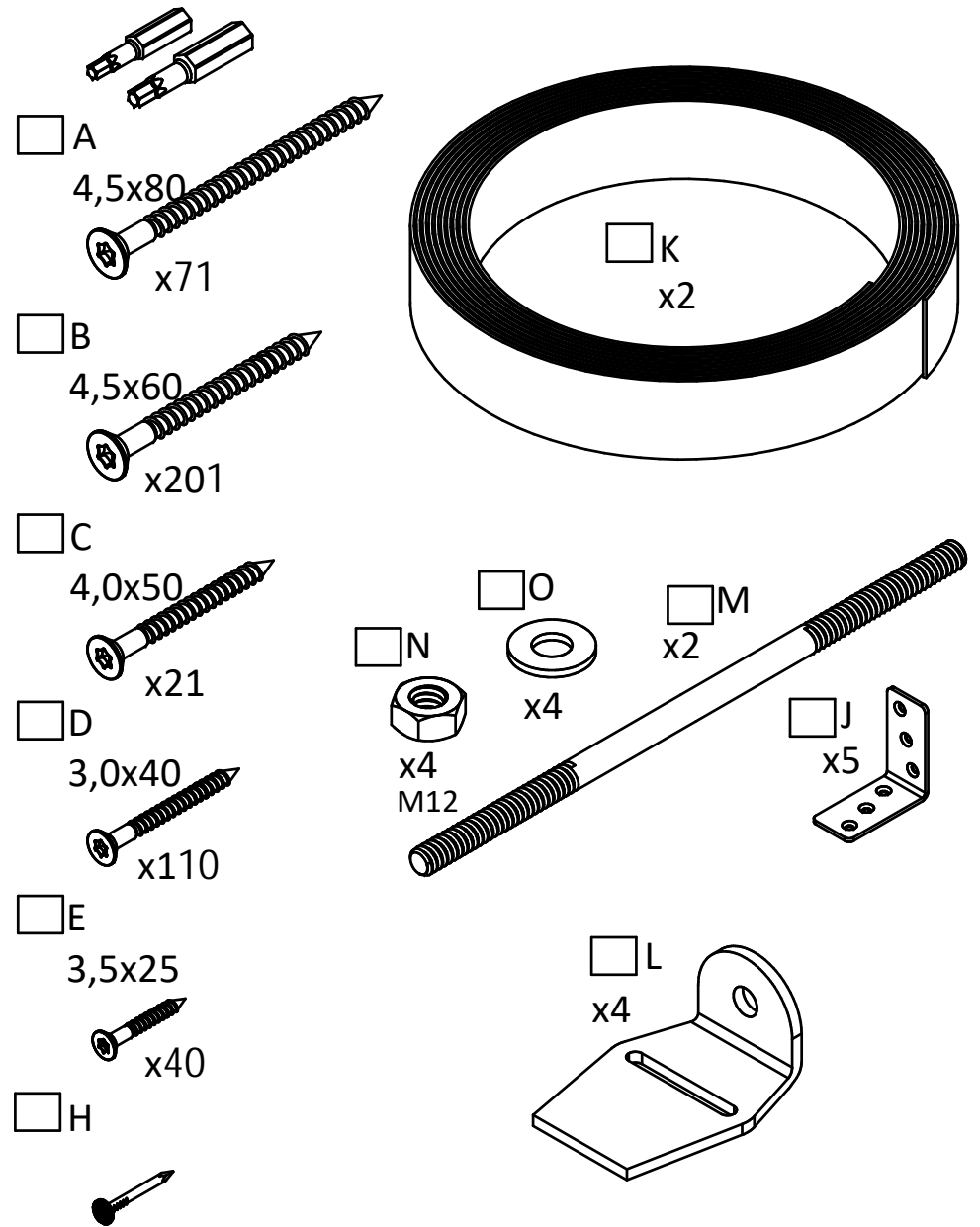
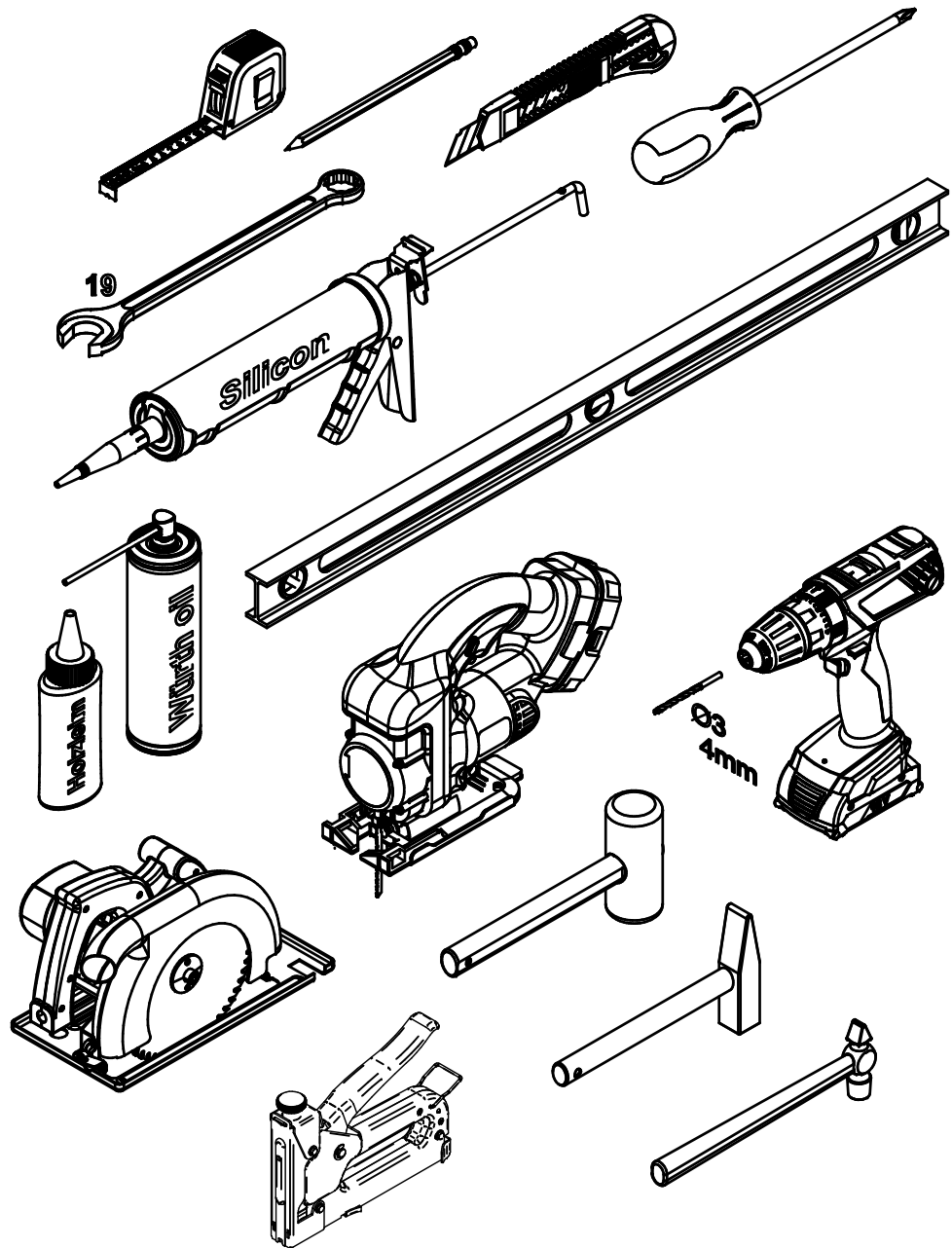


Extra 2

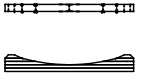
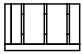

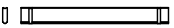



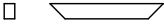




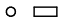
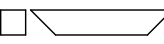
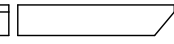
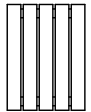
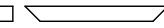
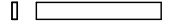


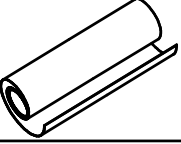
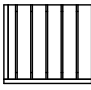
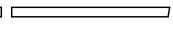


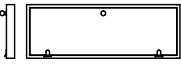



Extra 3




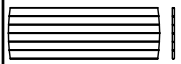
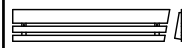

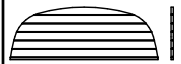
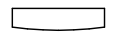

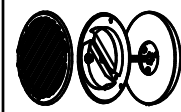
Tools that make your construction easier.
Not included in the delivery.

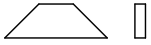


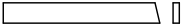
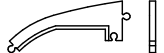

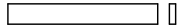

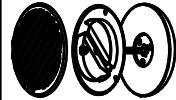


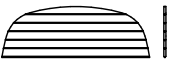
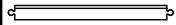
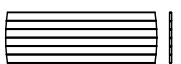
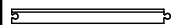

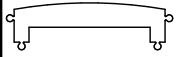
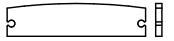



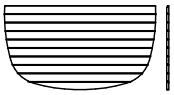

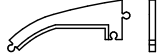
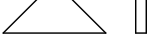


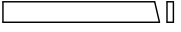


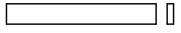






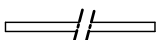


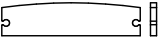
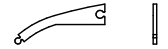



BASE

No.	L x W x H	Qt		No.	L x W x H	Qt		No.	L x W x H	Qt	
1	1700x220x94	2		84	312x205	1		102	1670x45x15	2	
3	1300x103x42	65		87	450x44x44	2		103	660x45x15	2	
4	1300x44x44	2		91	300x40x28	1		104	1690x28x28	2	
21	D24x537	2		92	120x44x44	4		105	646x28x28	2	
22	D24x60	2		93	250x44x44	1		121	460x90x28	1	
71	700x514	1		94	420x44x44	2		122	655x90x28	1	
81	1940x520	1		95	705x44x44	1		141	4100x1100	1	
82	580x520	1		96	746x44x44	2		142	L1000x320	40	
83	919x350	1		101	1690x590x90	1		143	L1000x250	2	


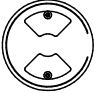
BASE

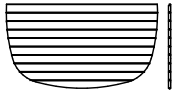


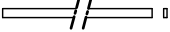

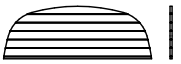

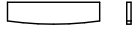

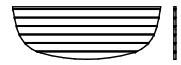

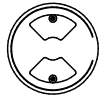


				Basic				Optional			
No.	L x W x H	Qt		No.	L x W x H	Qt		No.	L x W x H	Qt	
151	680x68x28	16		511	1955x675x28	1		85	1920x210x56	1	
				512	2000x680x28	1		86	1040x210x56	1	
				513	1955x675x28	1					
				611	1960x695x28	1					
				612	610x145x28	2					
				613	1960x695x28	1					
				Q	Air grille	1					

Extra 1				Extra 1				Extra 1			
No.	L x W x H	Qt		No.	L x W x H	Qt		No.	L x W x H	Qt	
97	271x90x28	1		622	Plywood 27mm	2		633	Plywood 15mm	2	
98	687x90x28	1		623	Plywood 27mm	2		634	Plywood 15mm	2	
122	655x90x28	2		624	Plywood 27mm	2		Q	Air grille	1	
161	Glas	2		625	Plywood 27mm	2					
511	1955x675x28	1		626	Plywood 27mm	2					
512	2000x680x28	1		627	Plywood 27mm	2					
513	1955x675x28	1		631	Plywood 15mm	2					
621	Plywood 27mm	2		632	Plywood 15mm	4					

Extra 2				Extra 2				Extra 2			
No.	L x W x H	Qt		No.	L x W x H	Qt		No.	L x W x H	Qt	
52	1995x1112x28	1		523	Plywood 27mm	1		623	Plywood 27mm	2	
97	271x90x28	1		524	Plywood 27mm	1		624	Plywood 27mm	2	
98	687x90x28	1		525	Plywood 15mm	2		625	Plywood 27mm	2	
122	655x90x28	2		526	Plywood 15mm	1		626	Plywood 27mm	2	
161	Glas	2		527	Plywood 15mm	1		627	Plywood 27mm	2	
162	Glas	1		528	Plywood 1947x45x15	1		631	Plywood 15mm	2	
521	Plywood 27mm	1		621	Plywood 27mm	2		632	Plywood 15mm	4	
522	Plywood 27mm	1		622	Plywood 27mm	2		633	Plywood 15mm	2	

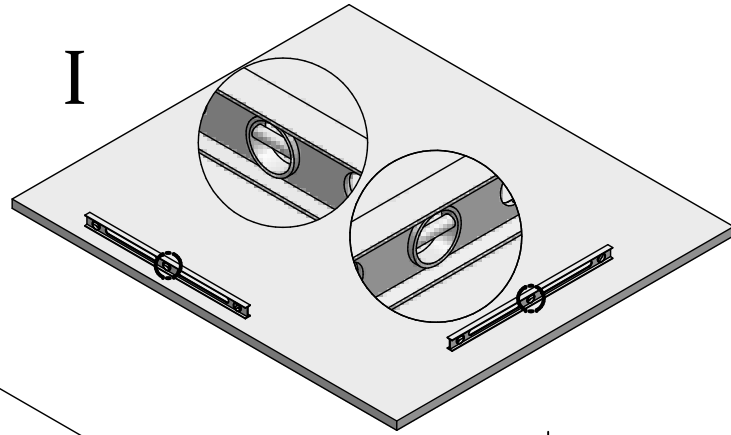
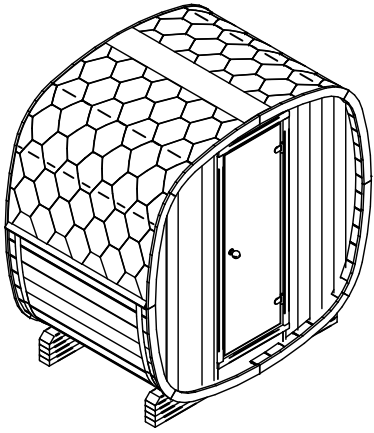
Extra 2

No.	L x W x H	Qt	
634	Plywood 15mm	2	
R	Air grille	1	

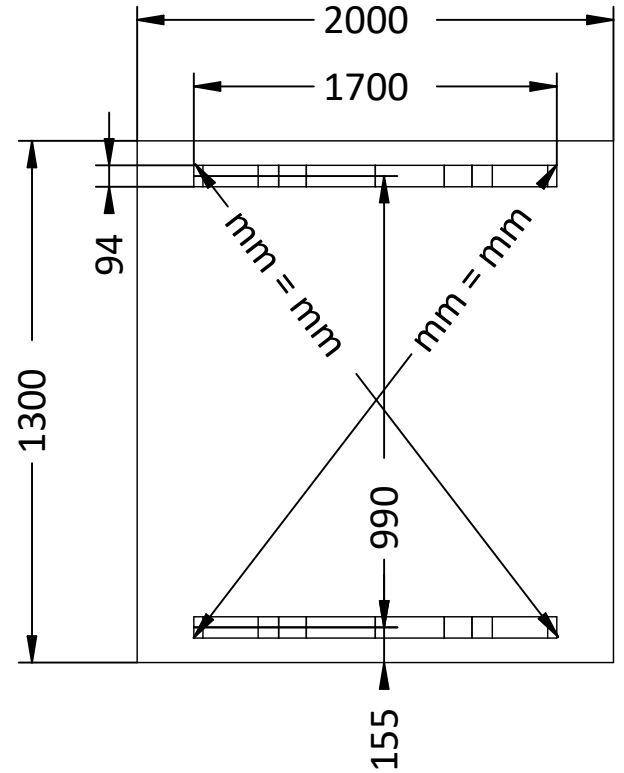
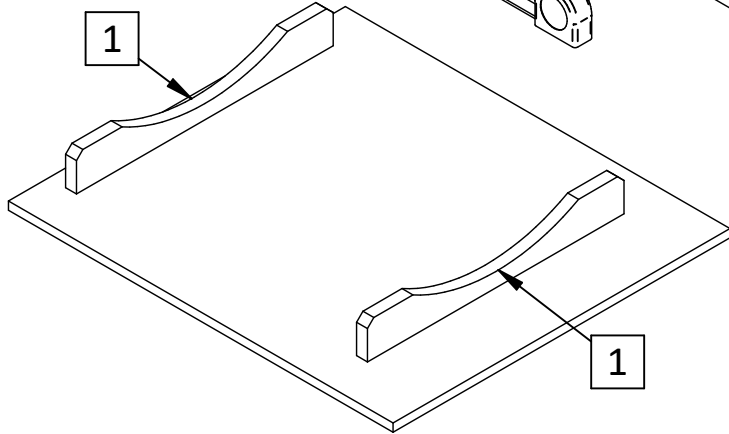
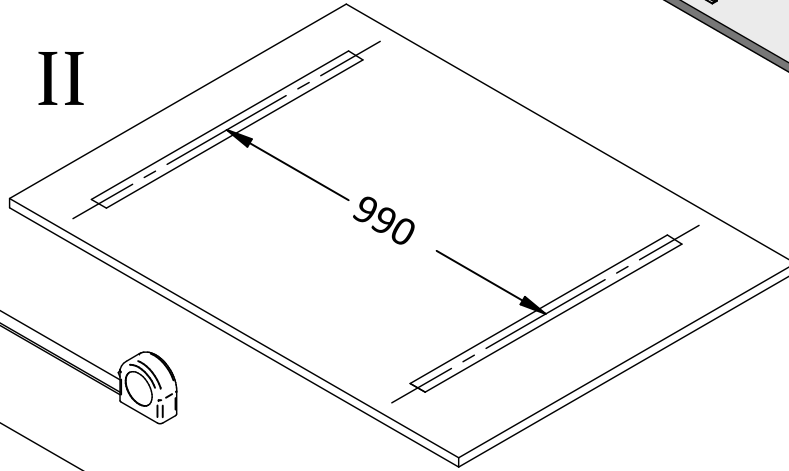
Extra 3				Extra 3			
No.	L x W x H	Qt		No.	L x W x H	Qt	
52	1995x1112x28	1		527	Plywood 15mm	1	
162	Glas	1		528	Plywood 1947x45x15	1	
521	Plywood 27mm	1		611	1960x695x28	1	
522	Plywood 27mm	1		612	610x145x28	2	
523	Plywood 27mm	1		613	1960x695x28	1	
524	Plywood 27mm	1		R	Air grille	1	
525	Plywood 15mm	2					
526	Plywood 15mm	1					

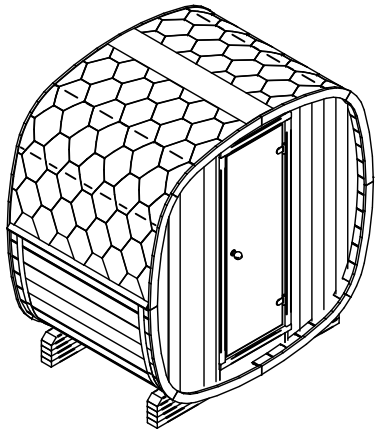
FOUNDATION PLAN

Use a spirit level

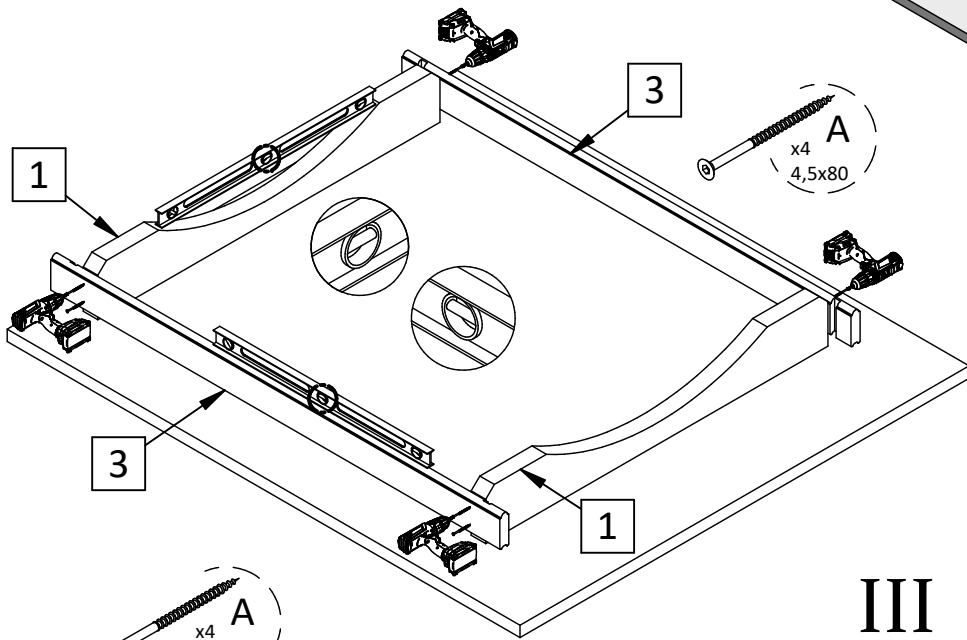
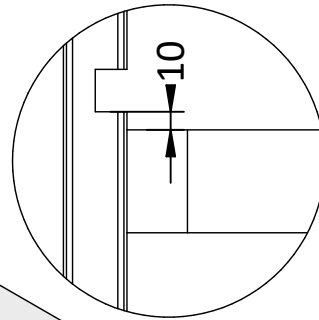
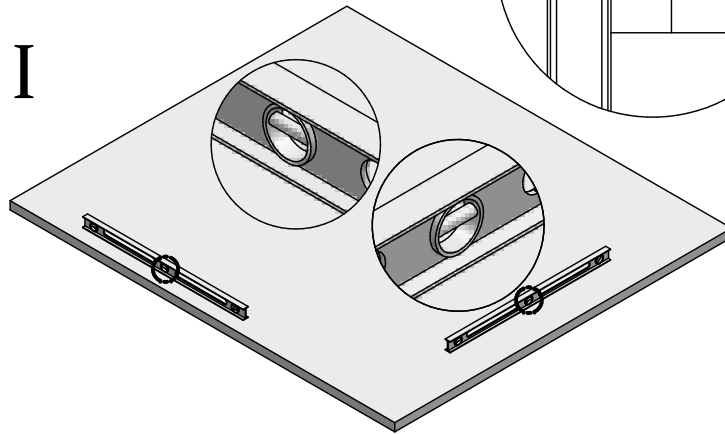


II

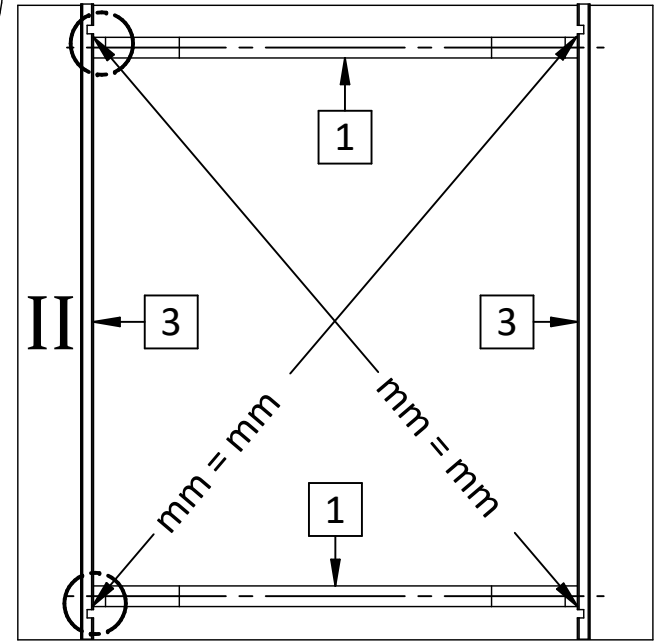


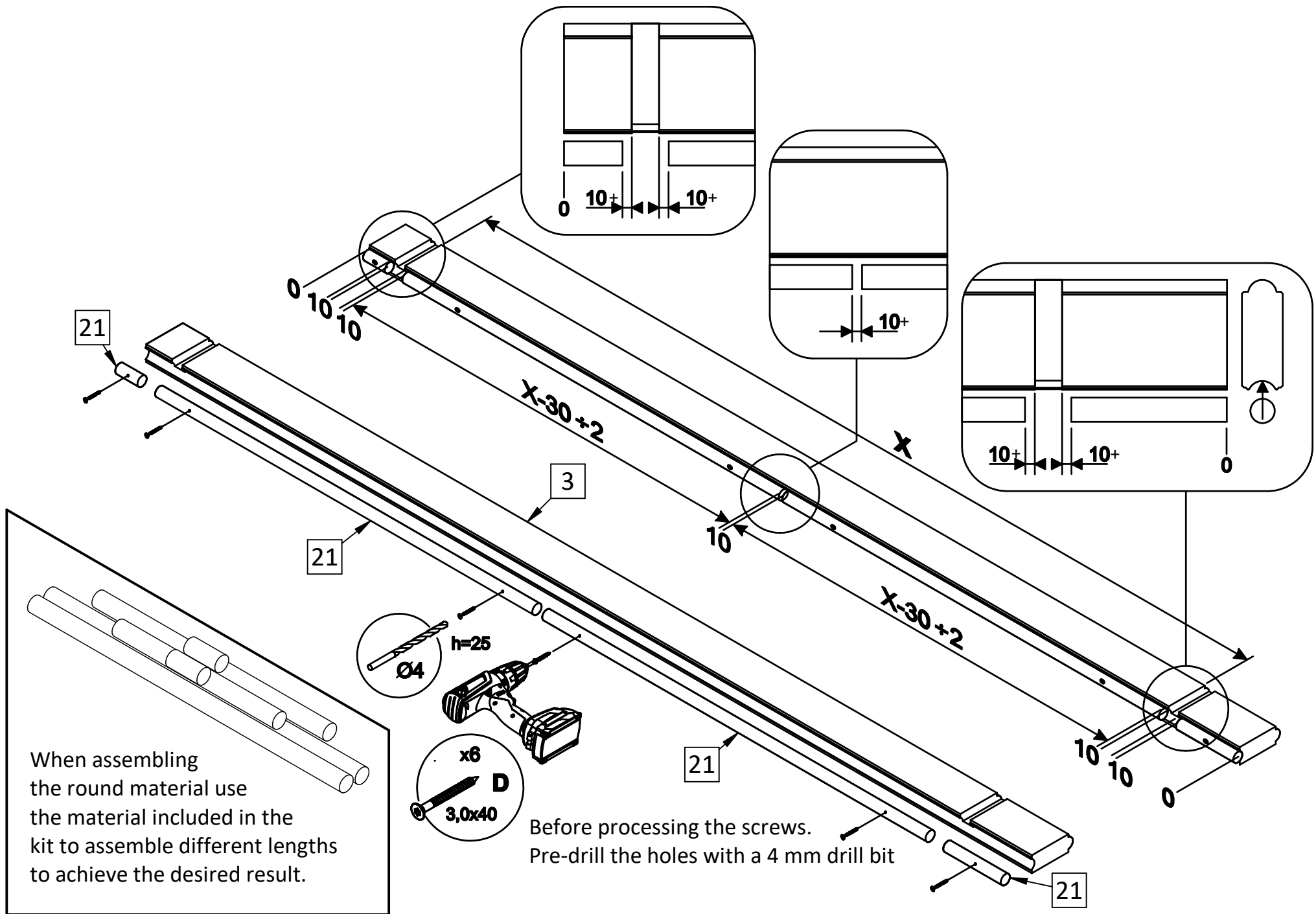


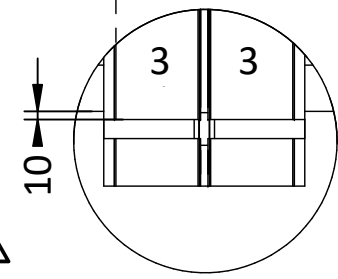
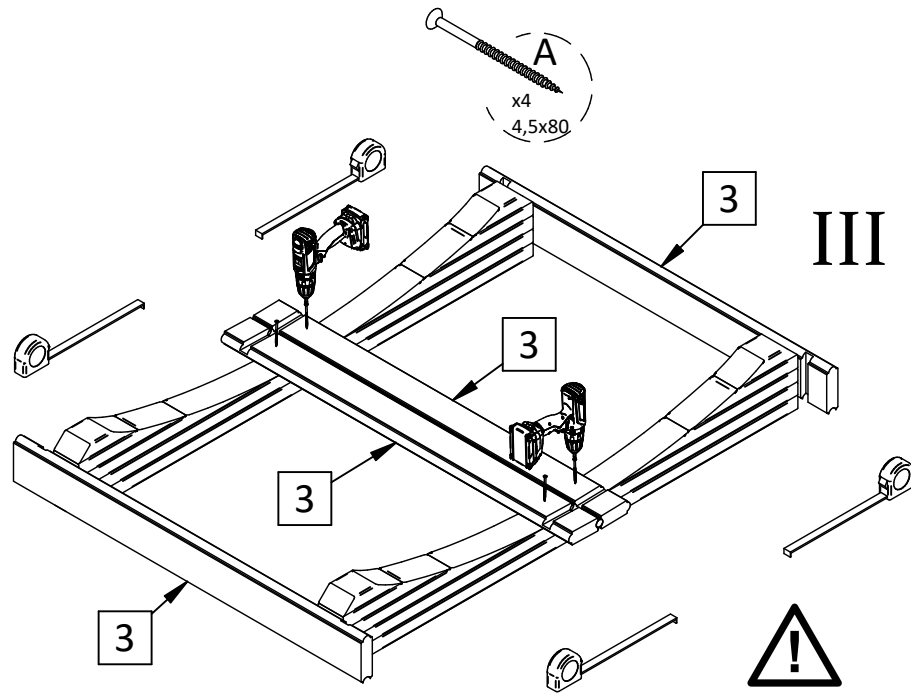
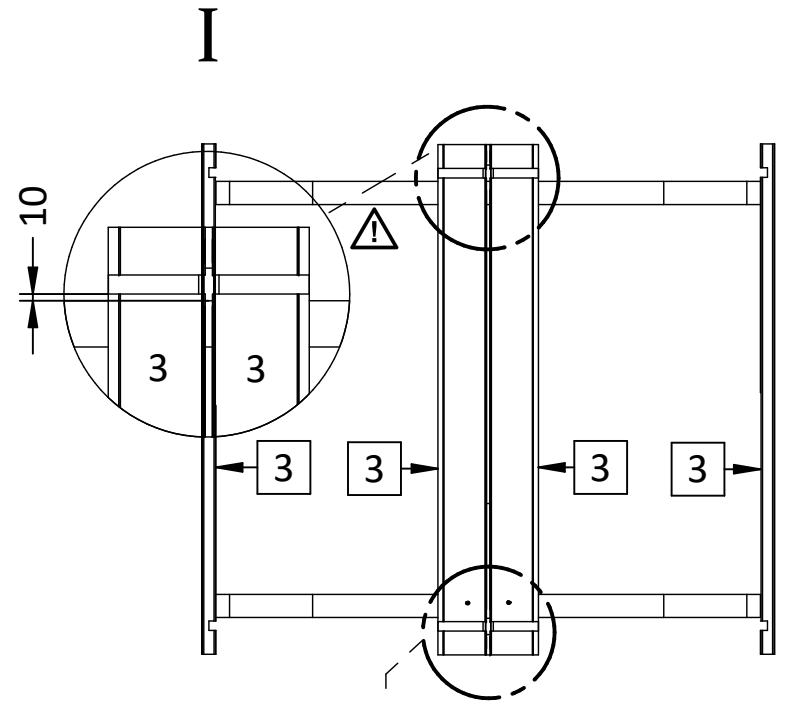
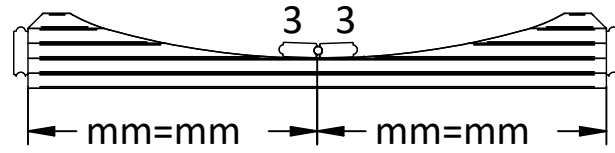
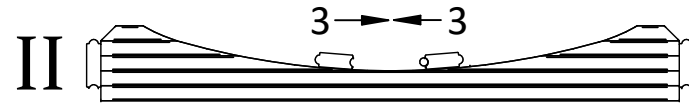
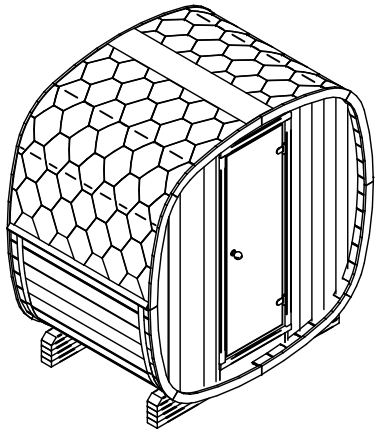
I

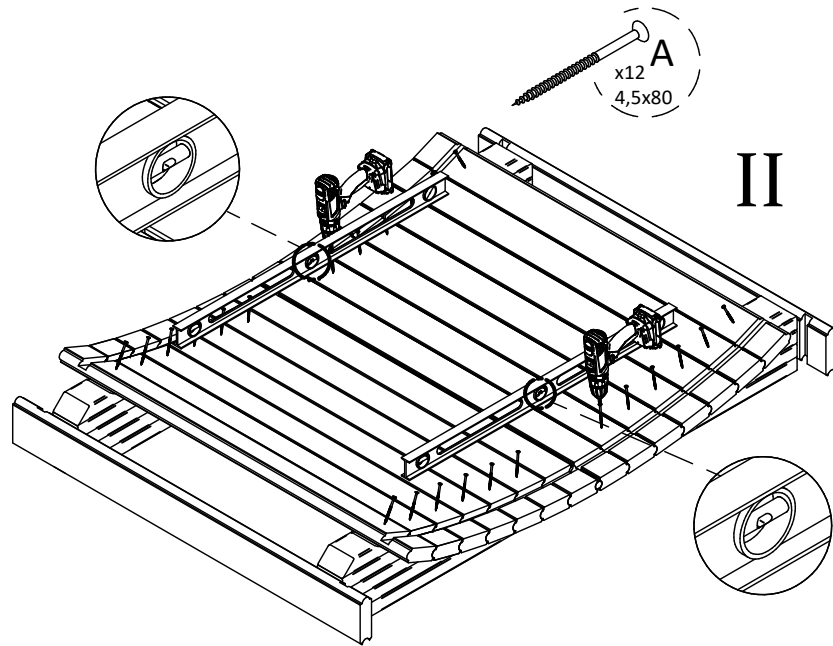
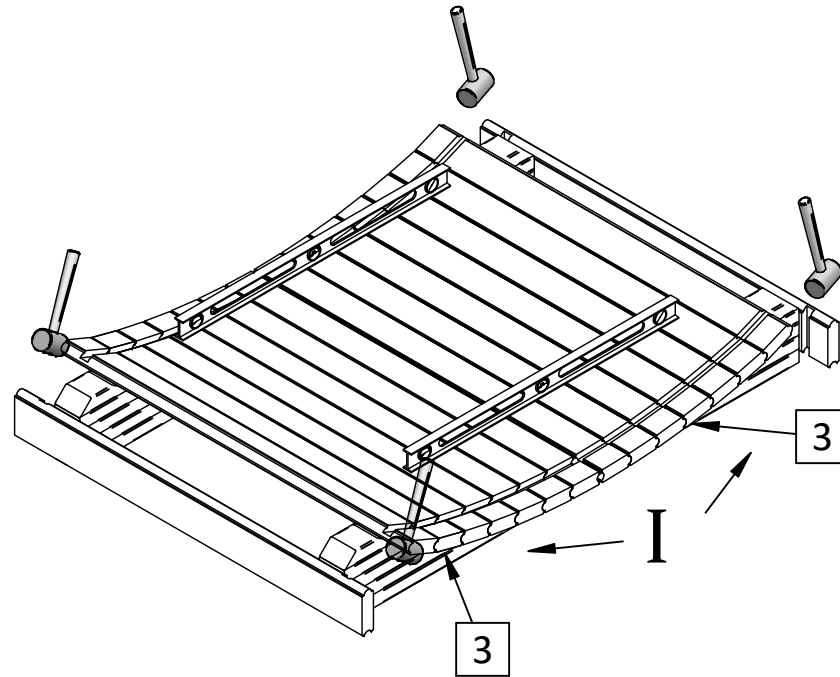
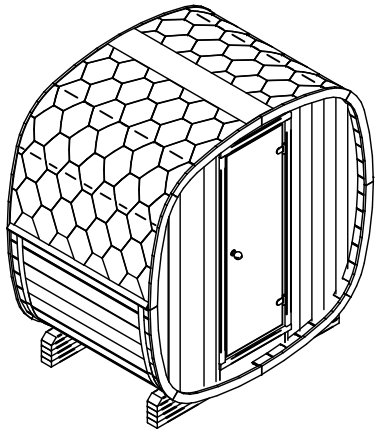


III



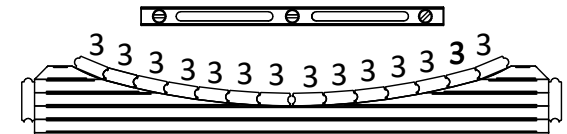




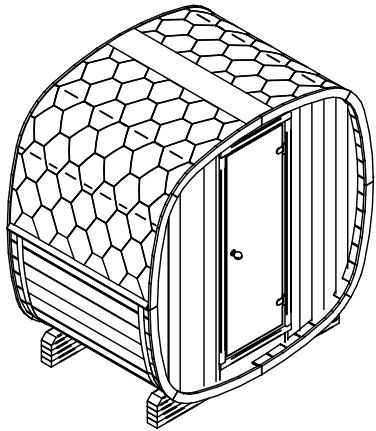


A
x12
4,5x80

A
x12
4,5x80

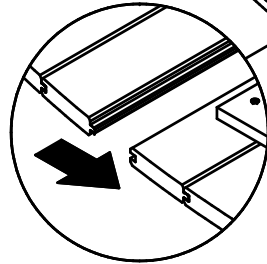


Basic / Extra 1

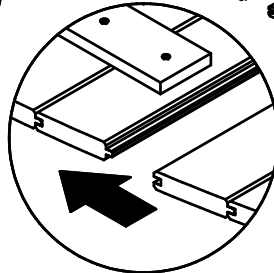


511

I

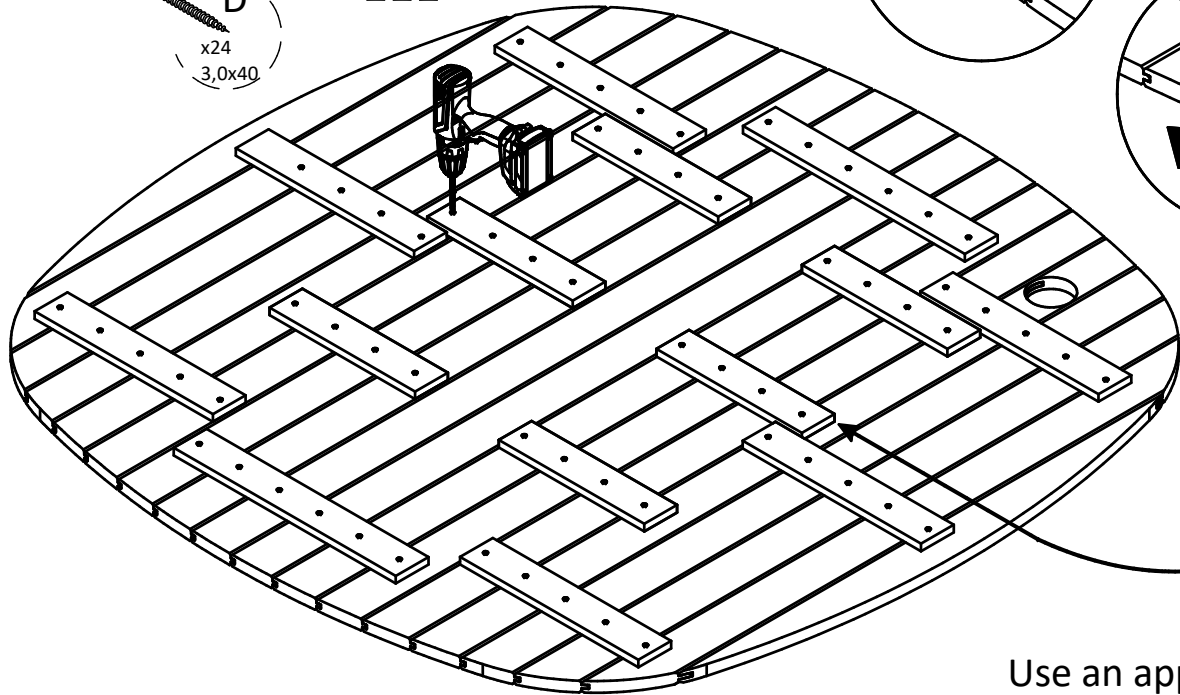
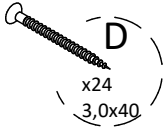


512



513

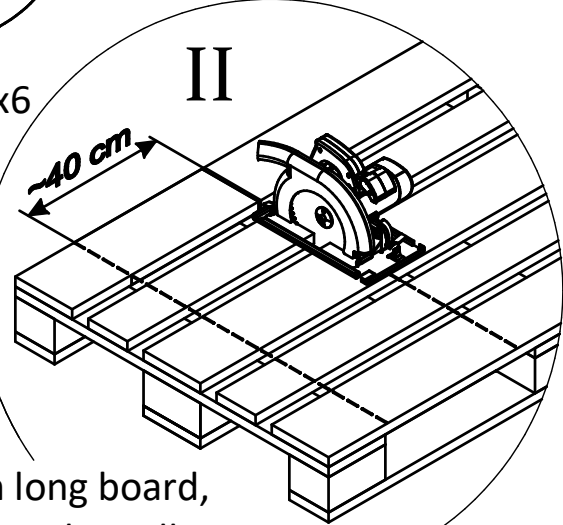
III



x6

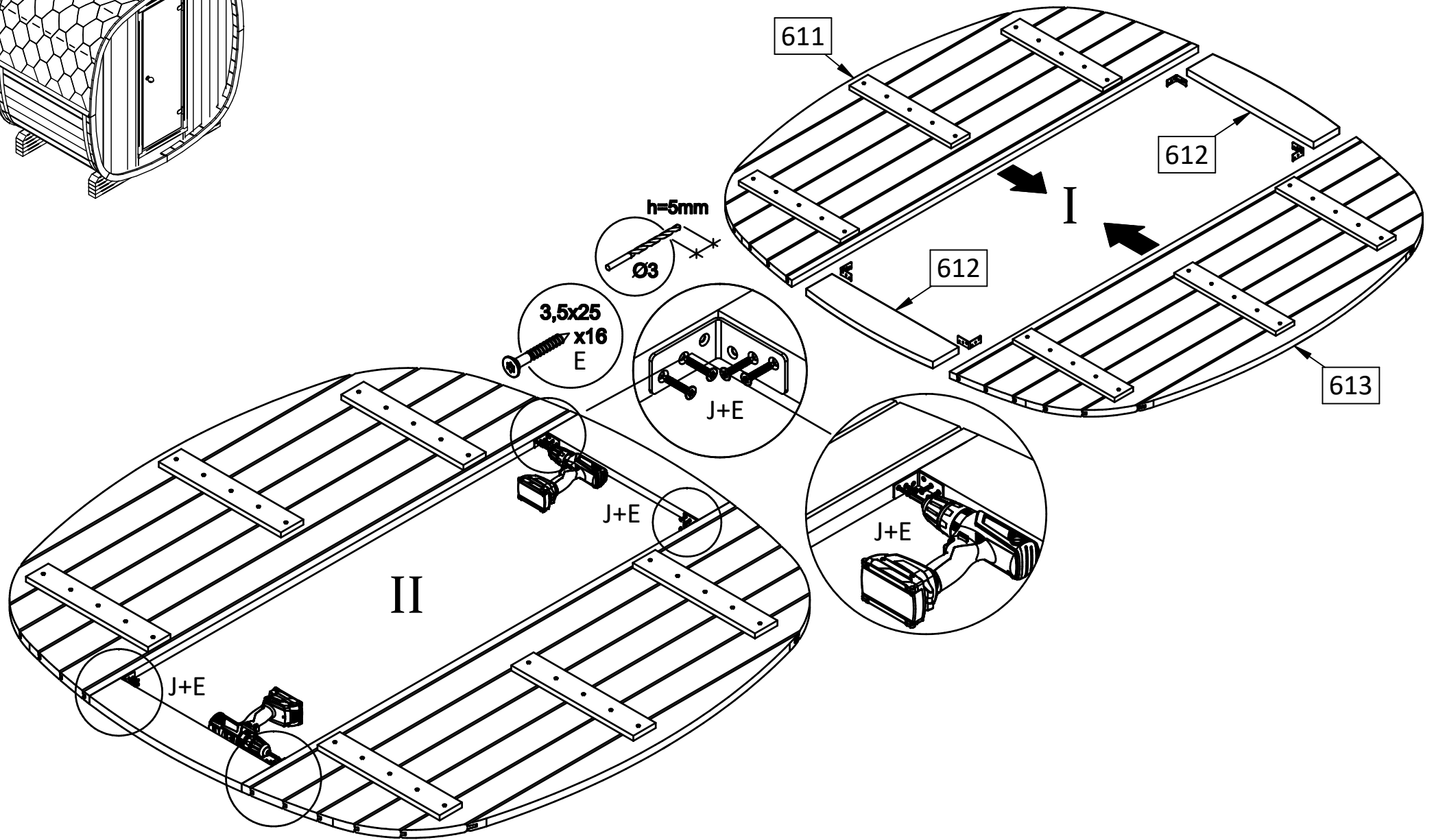
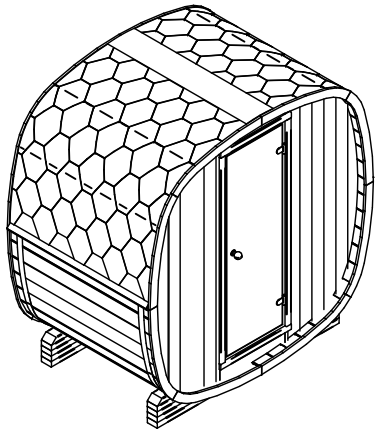
II

~40 cm

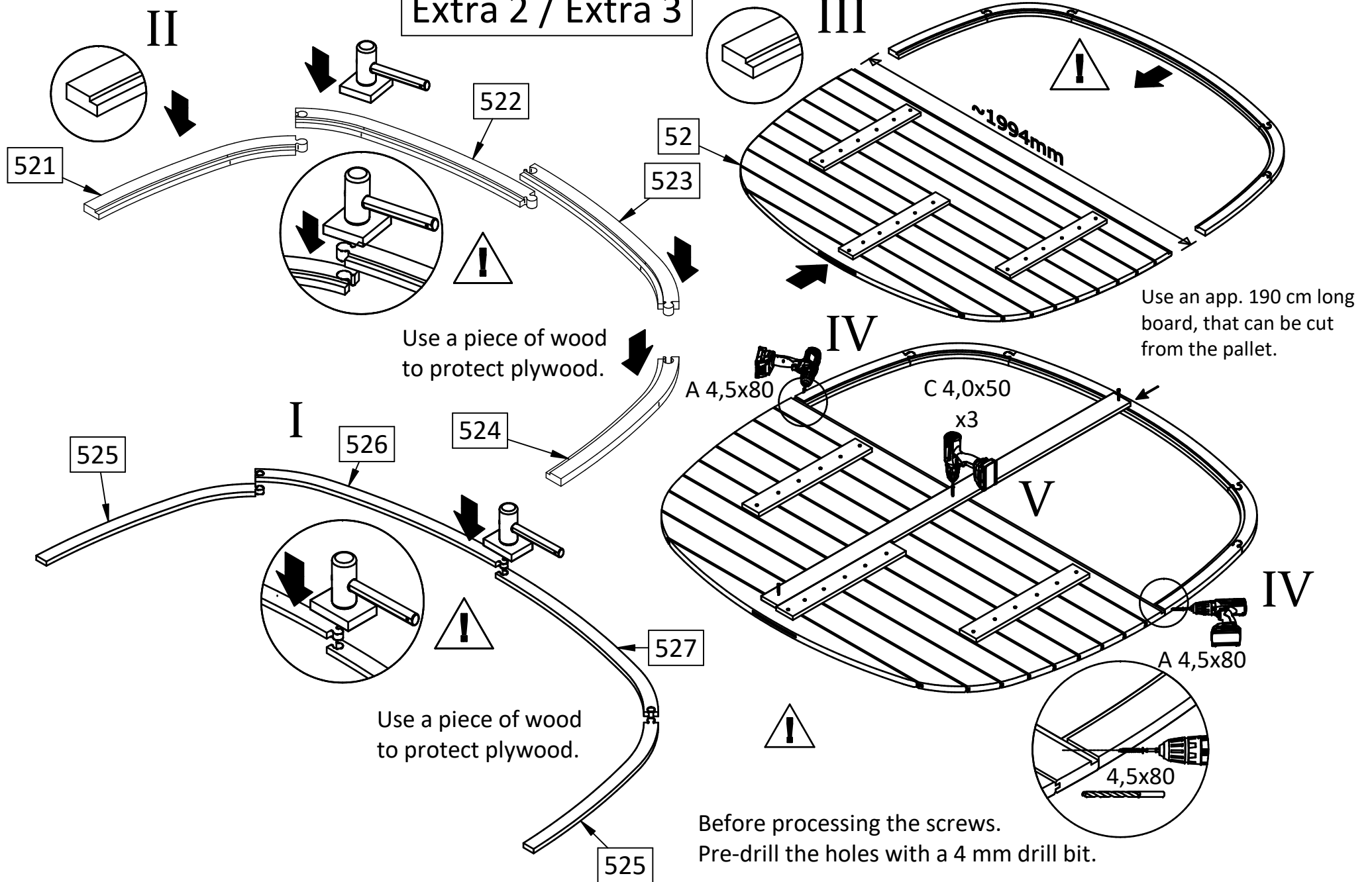


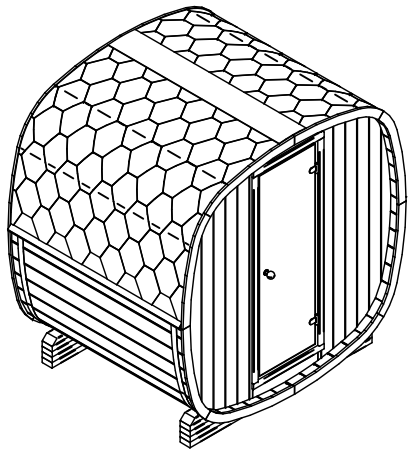
Use an app. 40 cm long board, that can be cut from the pallet.

Basic / Extra 3

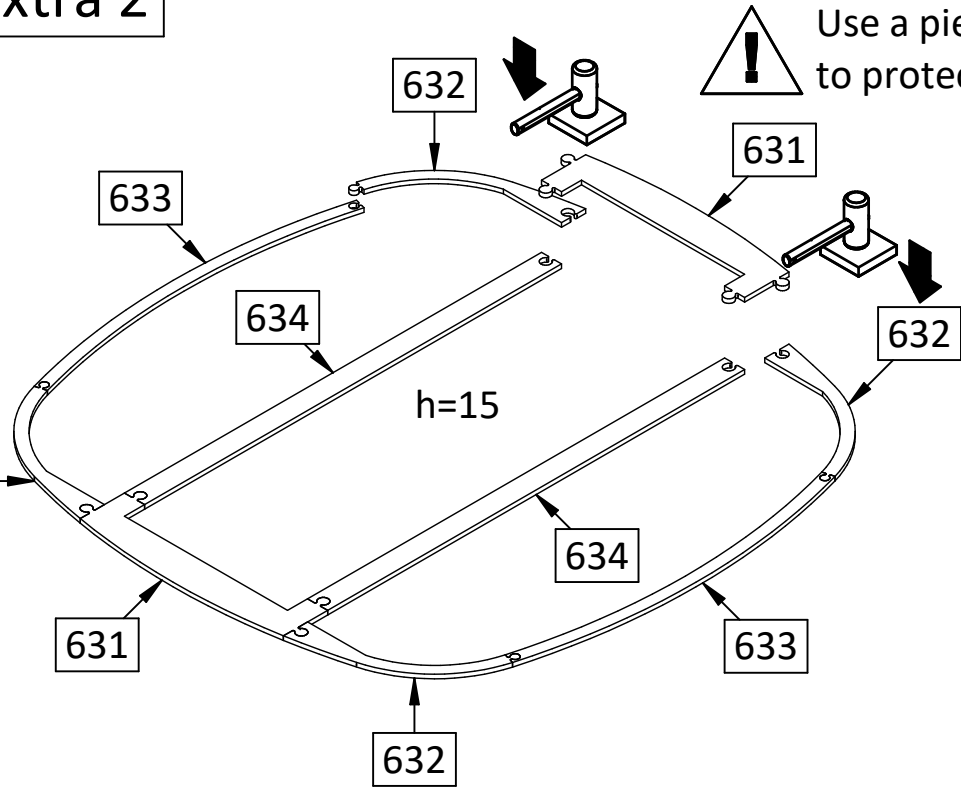
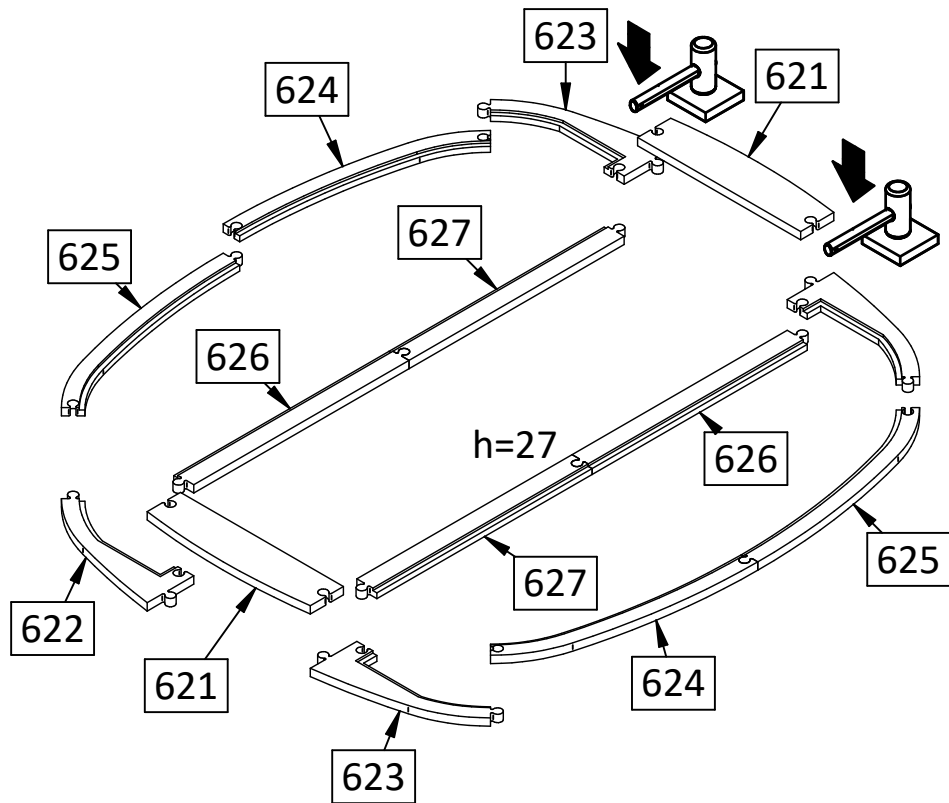


Extra 2 / Extra 3



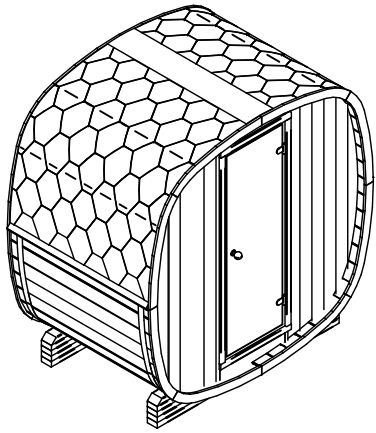


Extra 1 / Extra 2

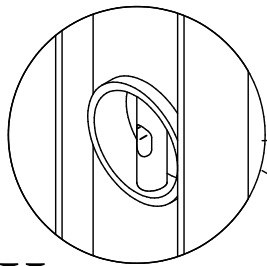


Use a piece of wood to protect plywood.

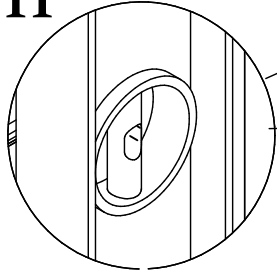
Use a piece of wood to protect plywood.



Use a spirit level

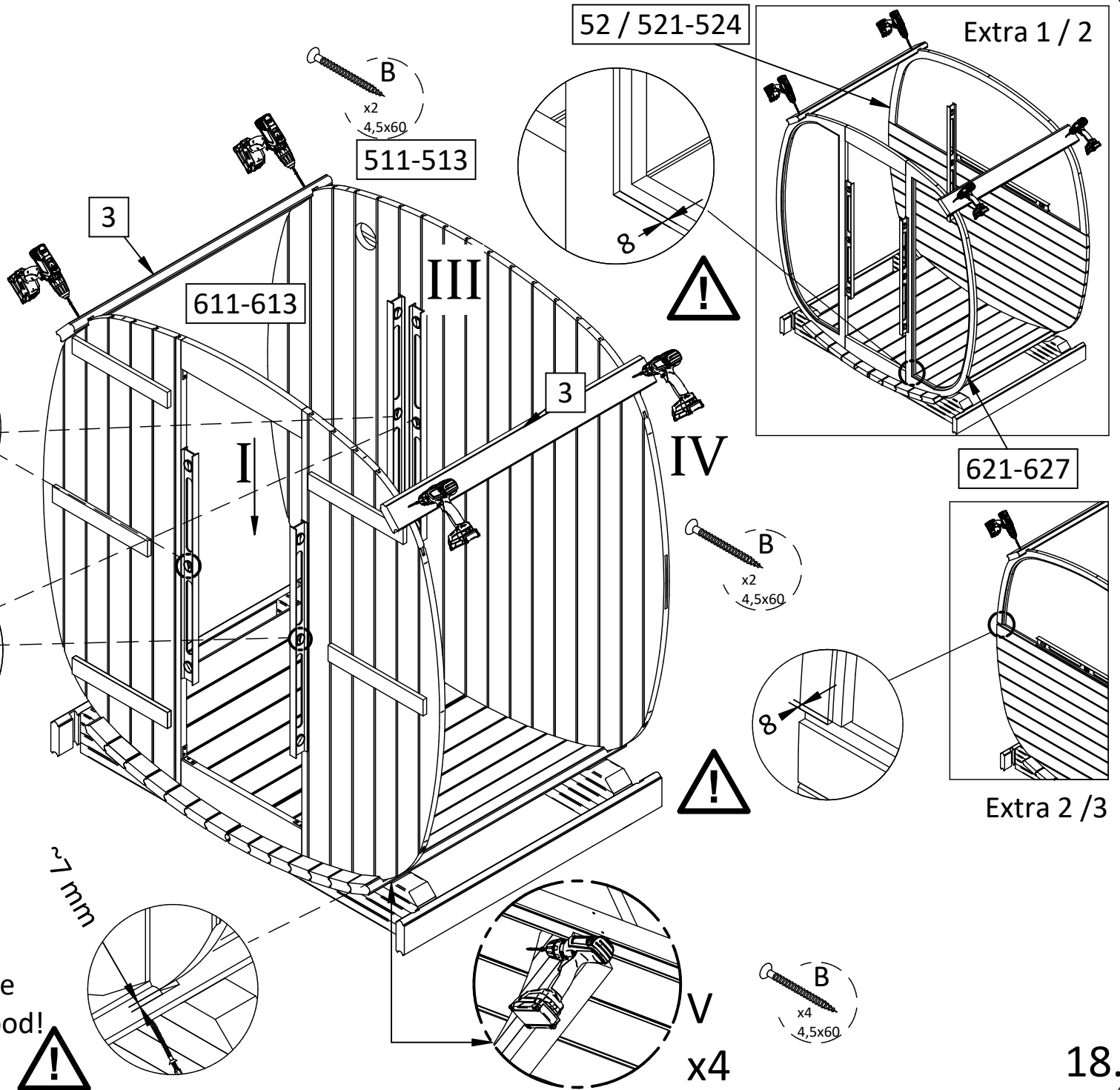
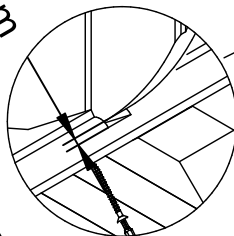


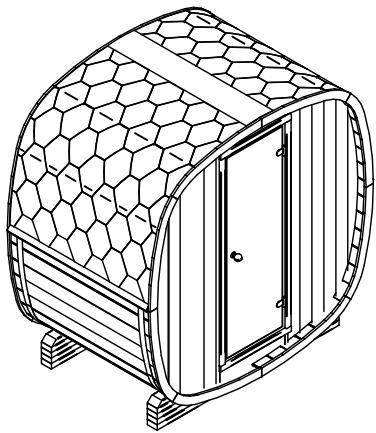
II



Important!
Keep your distance!
Don't leave a gap if the sauna is made of thermowood!

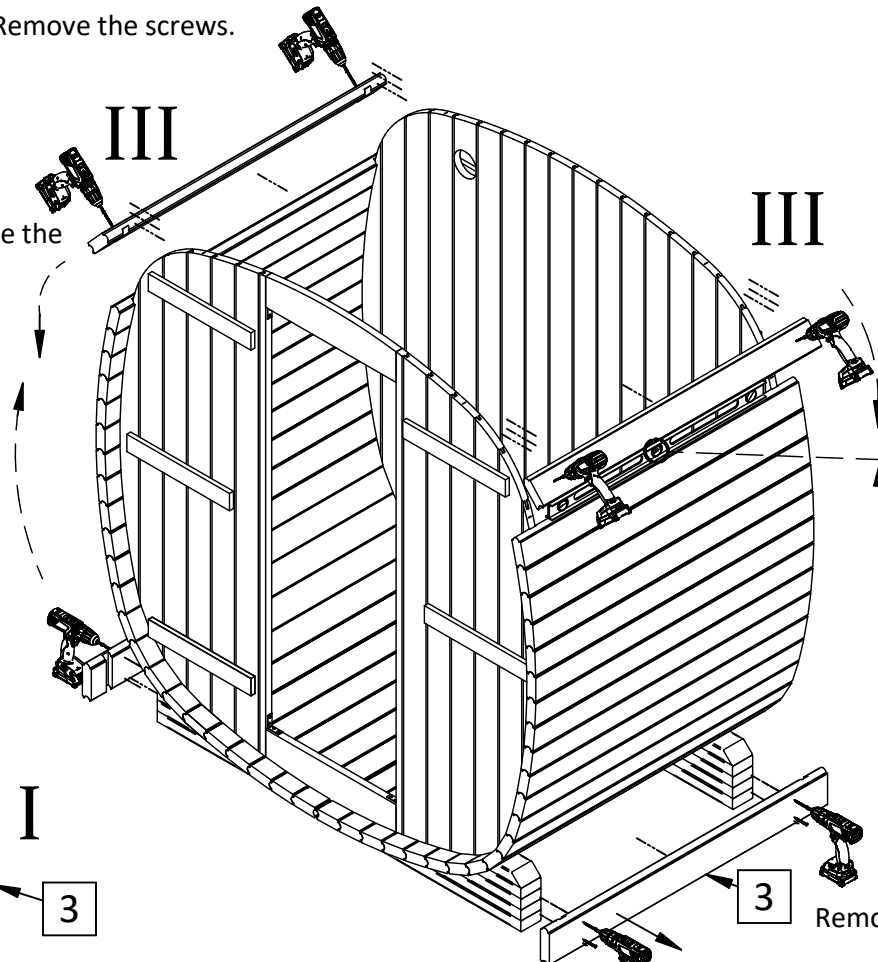
~7 mm



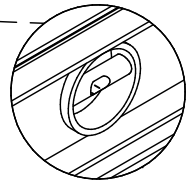


Remove the screws.

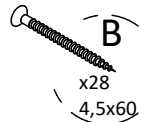
Important! Please remove the screws and use them for further assembly



Remove the screws.



Use a spirit level

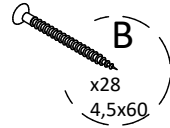


II

3

I

3



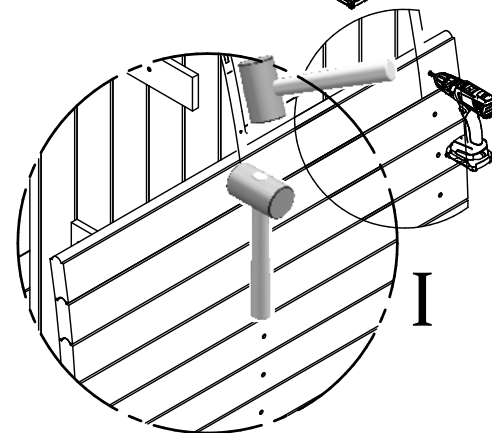
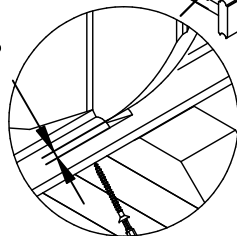
IV

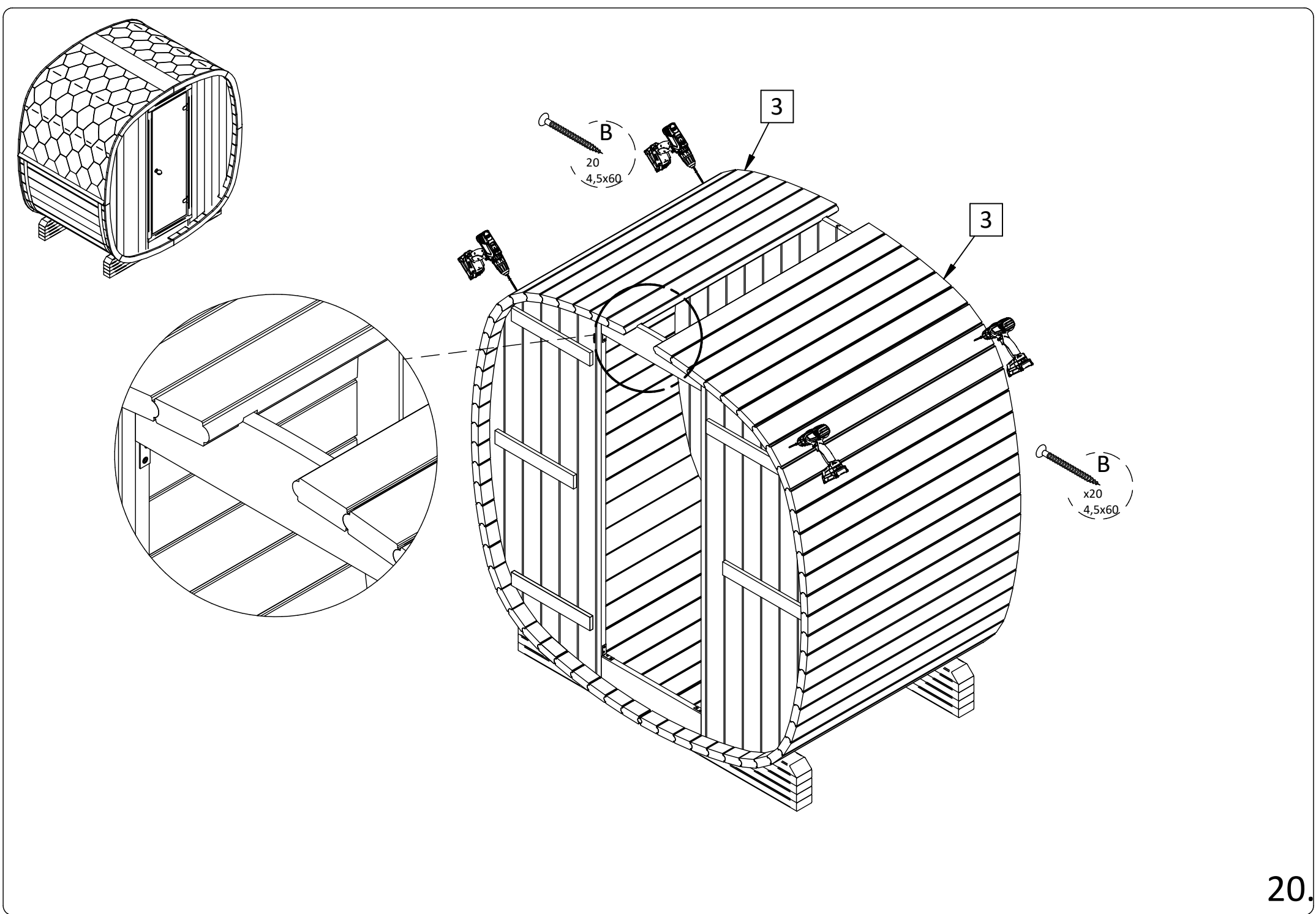
Remove the screws.

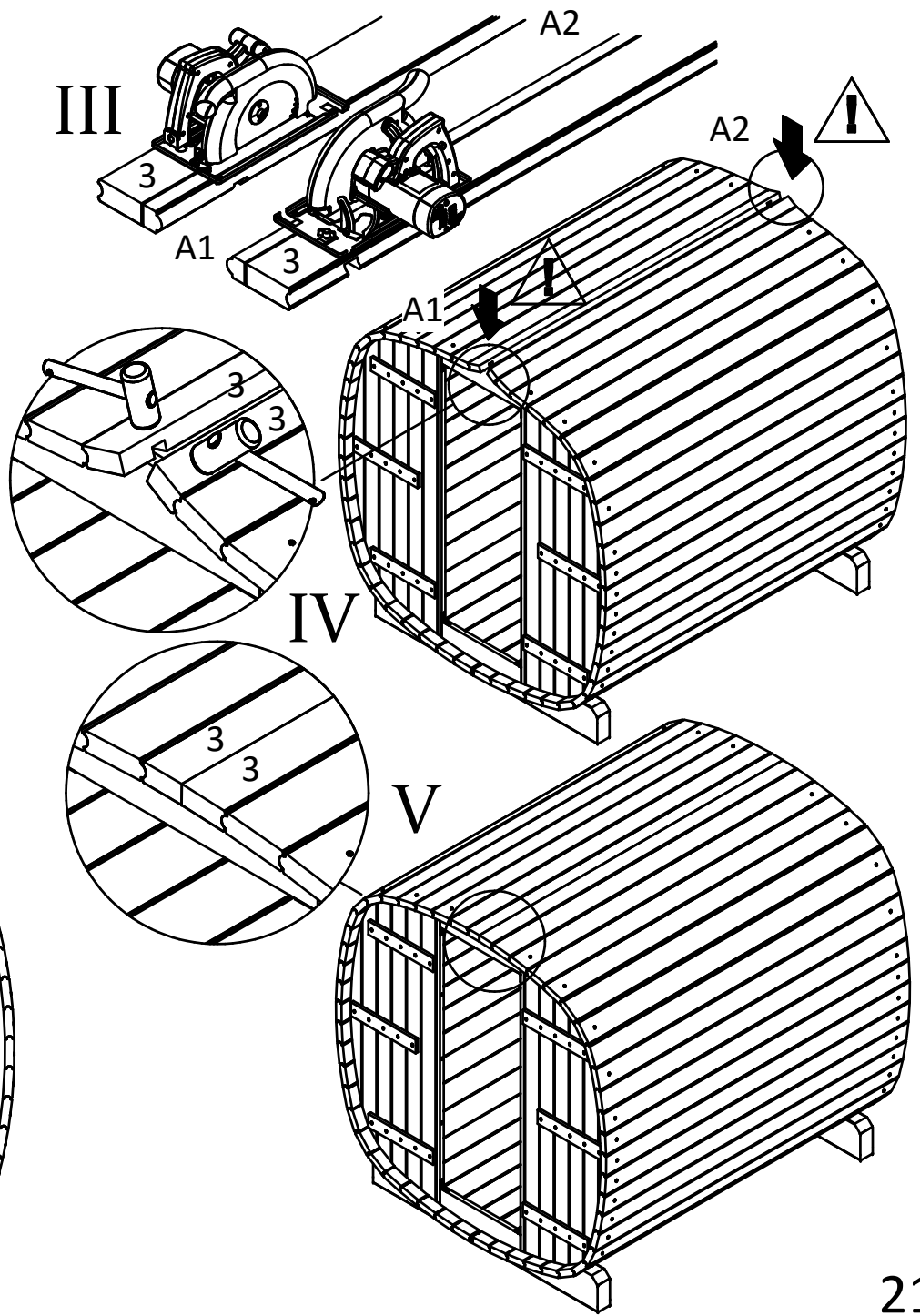
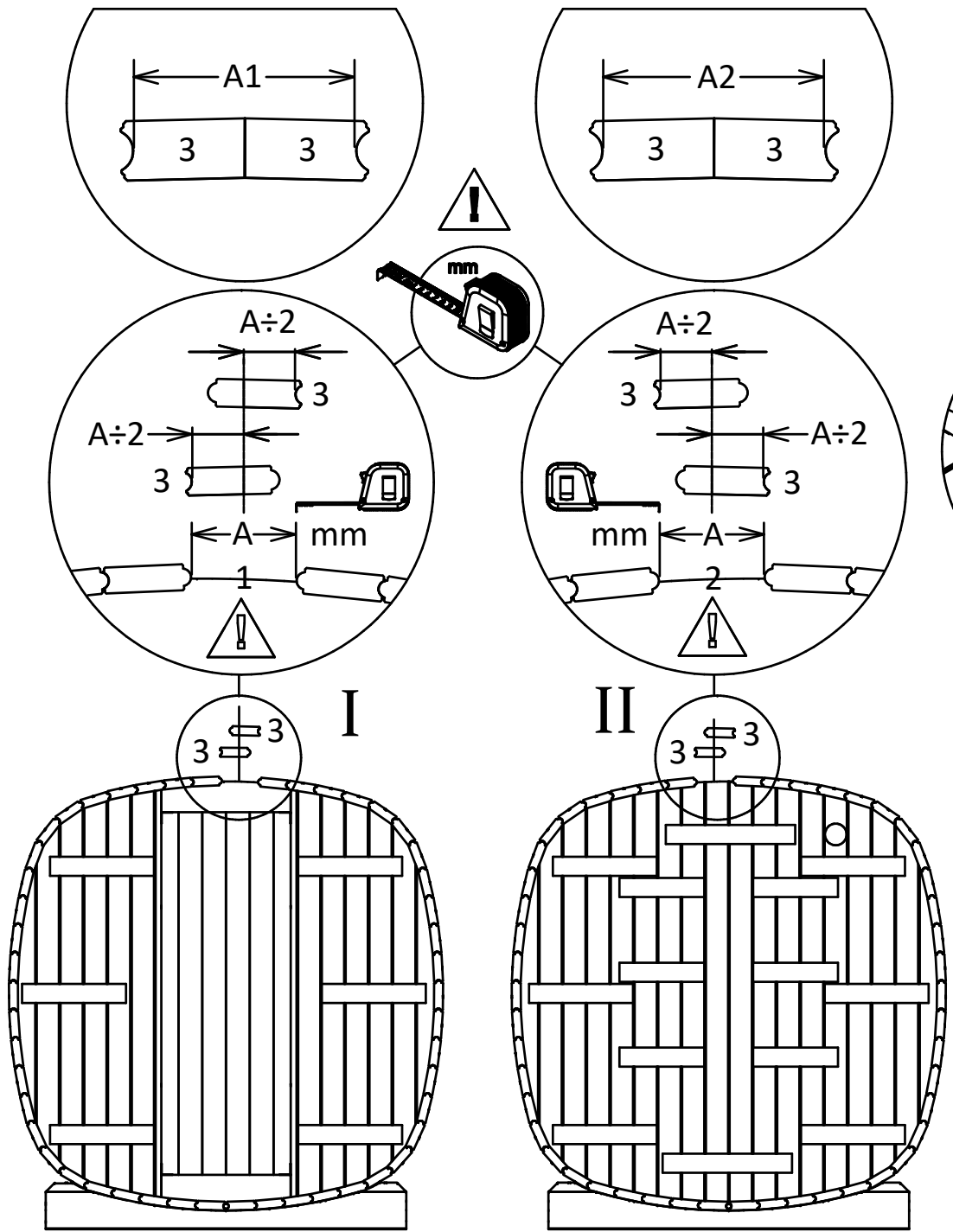
Important! Please remove the screws and use them for further assembly

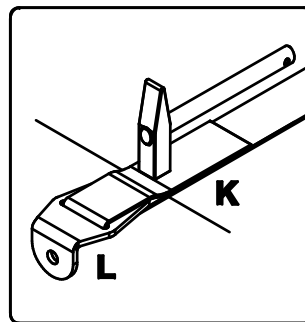
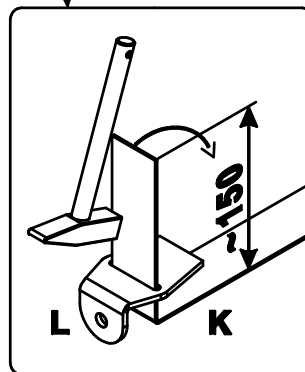
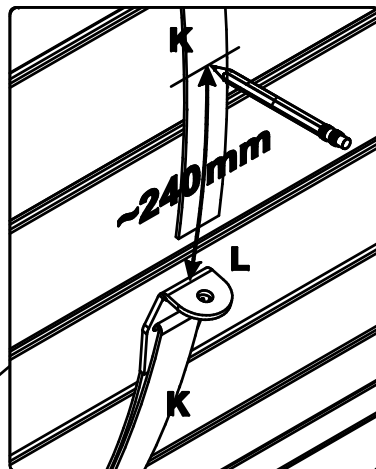
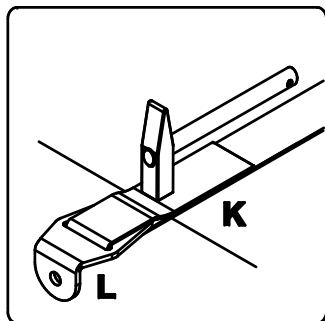
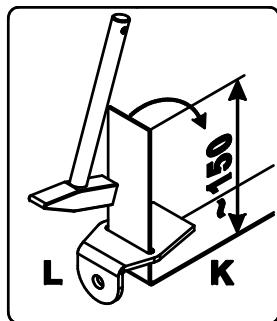
Important!
Keep your distance!
Don't leave a gap if the sauna is made of thermowood!

~7 mm

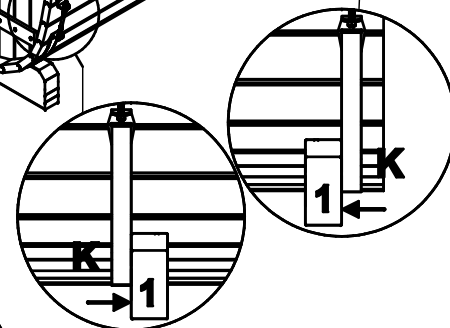
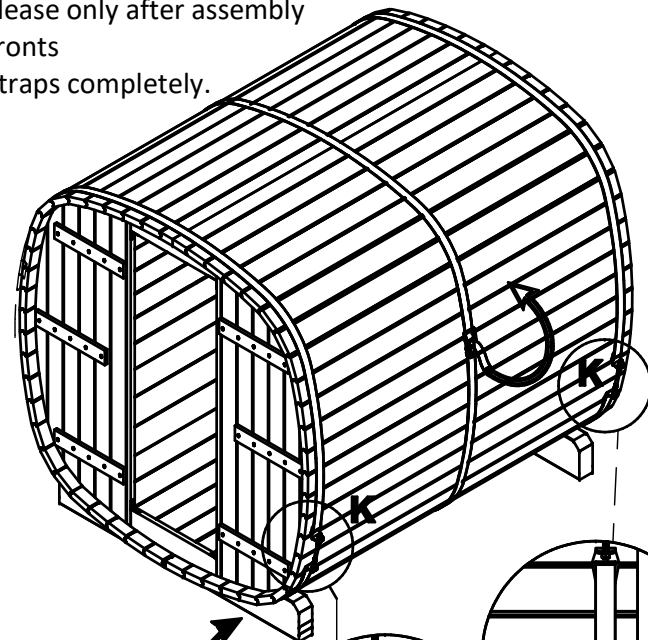




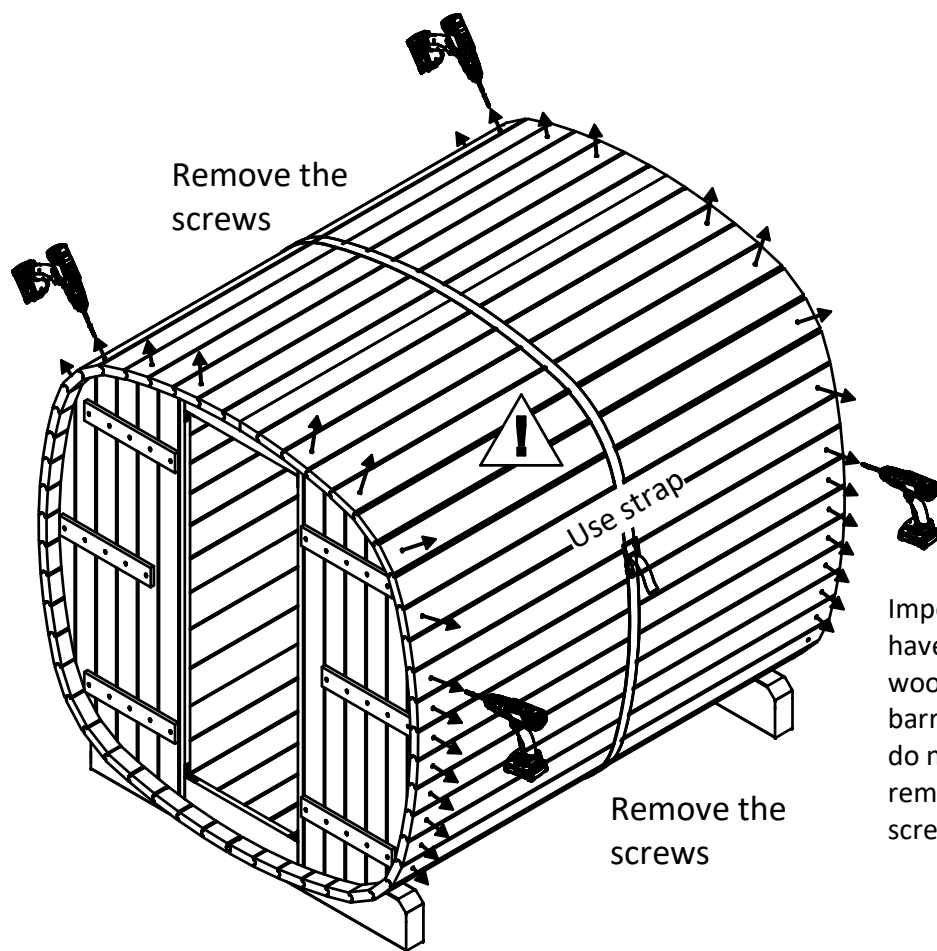




Important! Please only after assembly of the glass fronts tension the straps completely.

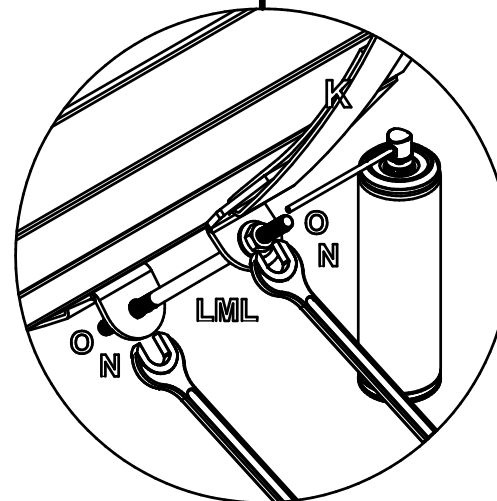


Remove the screws

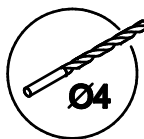
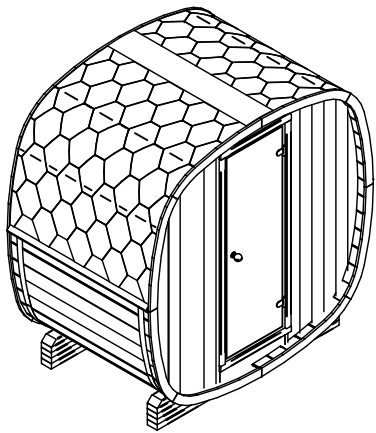


Remove the screws

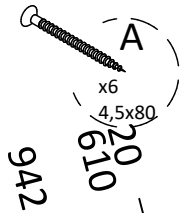
Important! If you have a thermo wood sauna barrel, please do not remove the screws.



Attention!
When assembling and maintaining/retightening the threaded rods, the threaded rods must be oiled with oil (W44 or Würth HPS1400). In this way, damage to the threaded rod can be avoided and it can be clamped more easily.



Before processing the screws.
Pre-drill the holes with
a 4 mm drill bit.

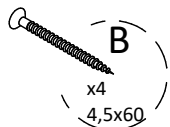
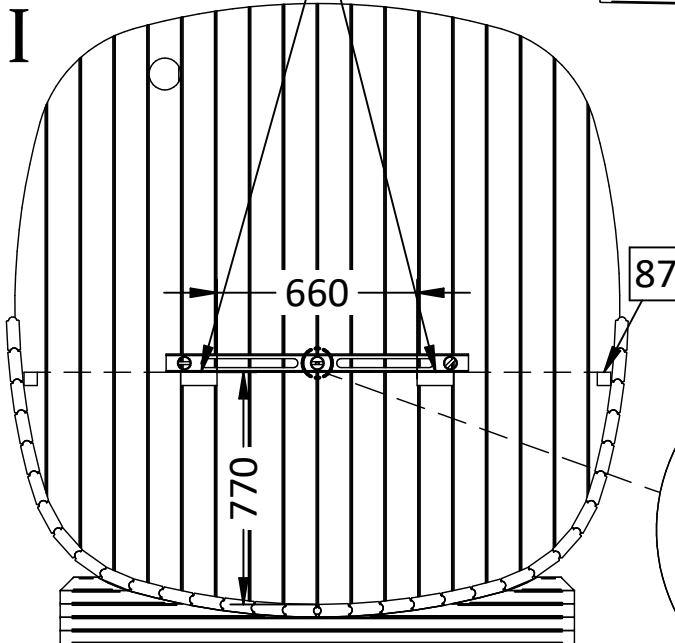
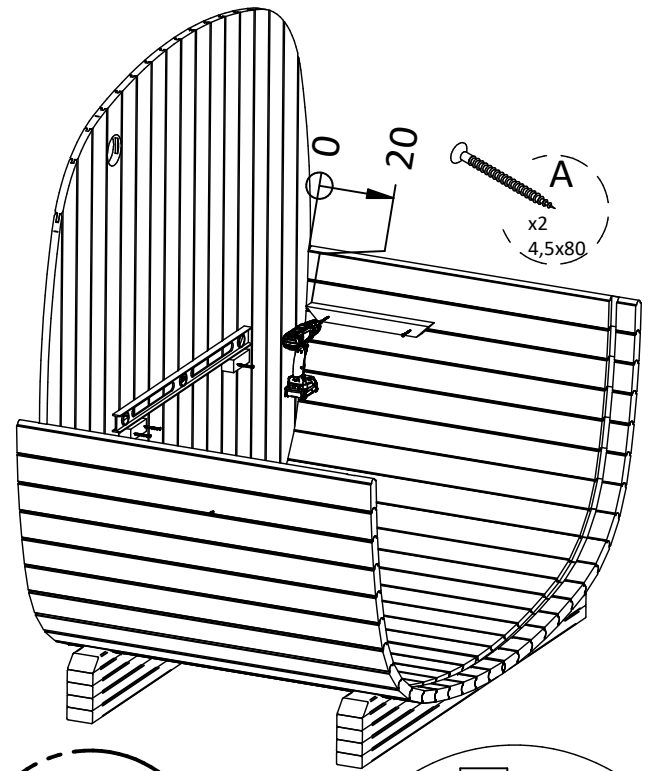
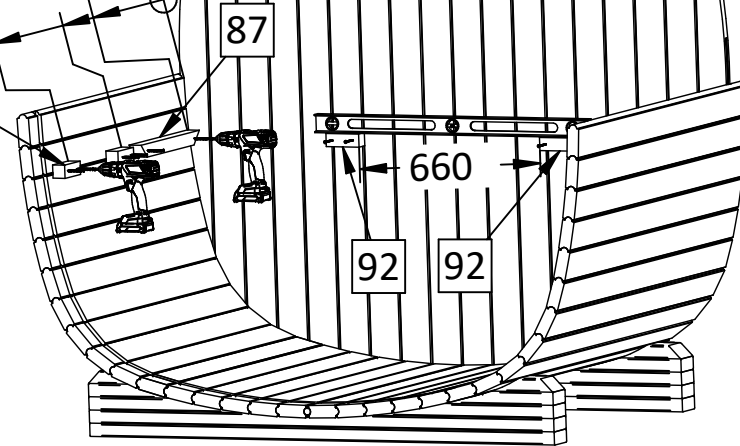


942

200
610

2x 92

II



B

x4
4,5x60

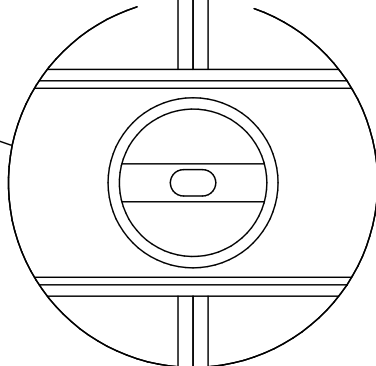
I

87

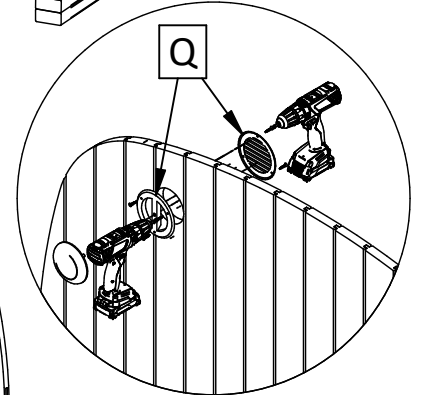
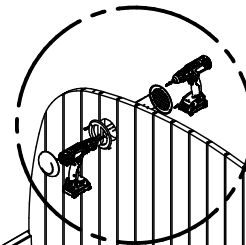
660

770

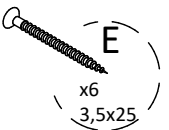
Use a spirit level



III



Basic
Extra 1

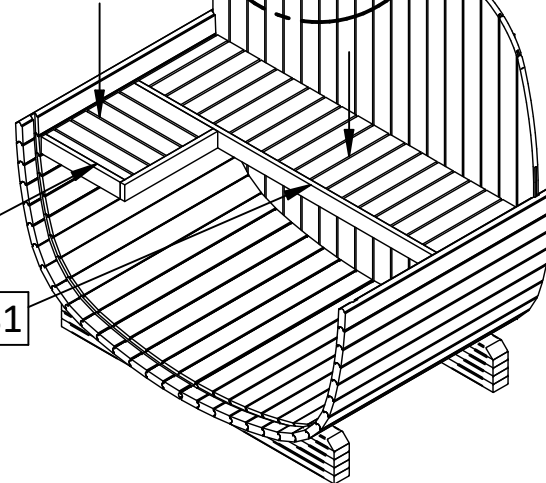


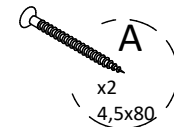
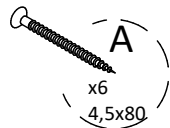
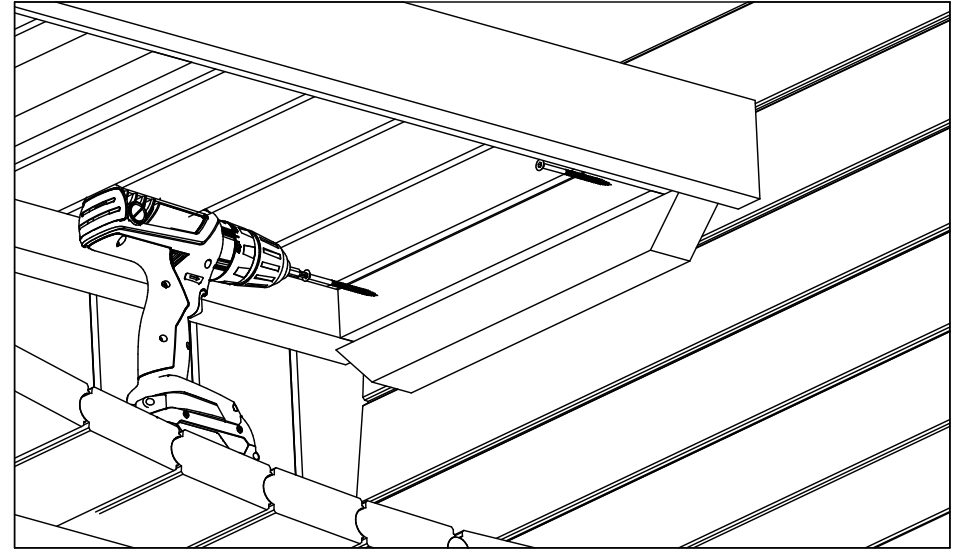
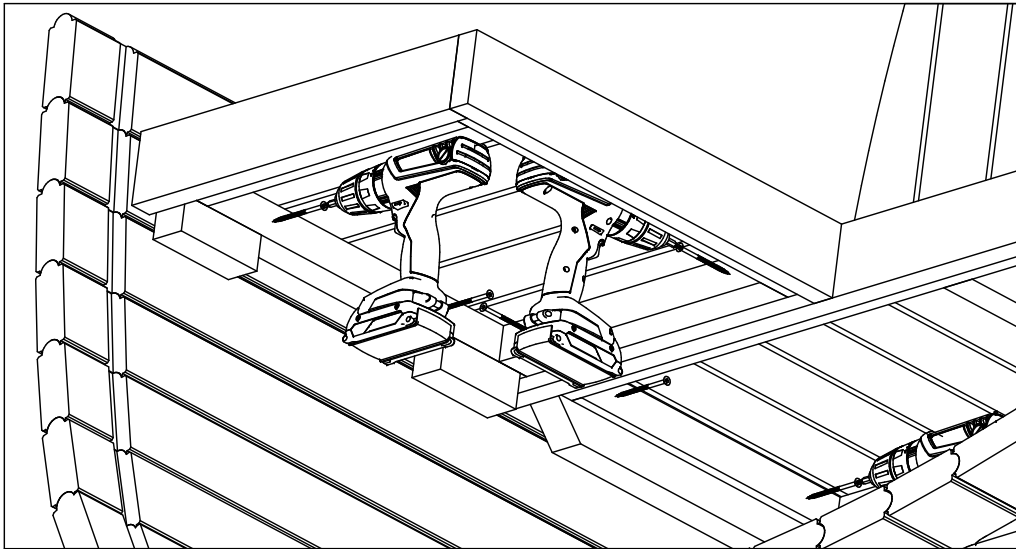
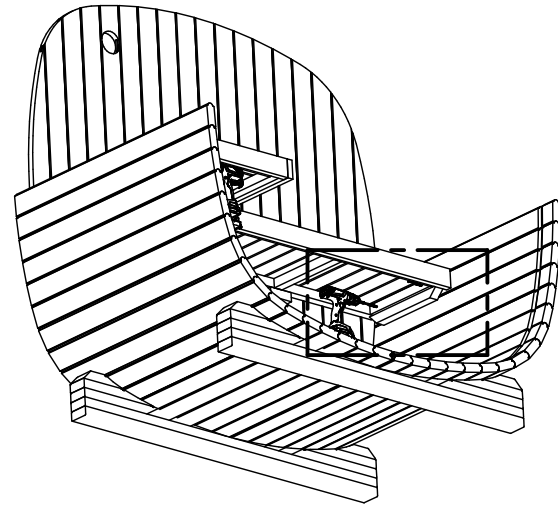
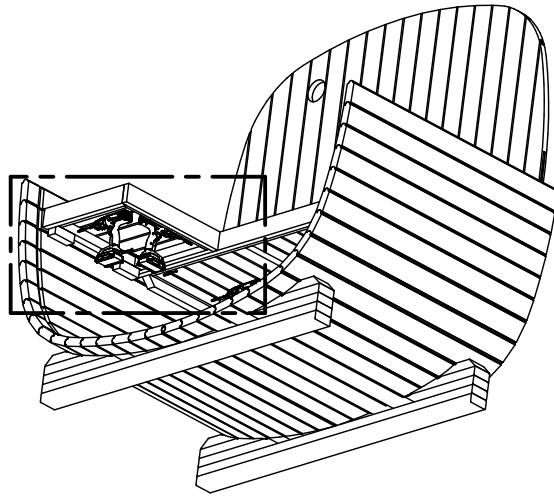
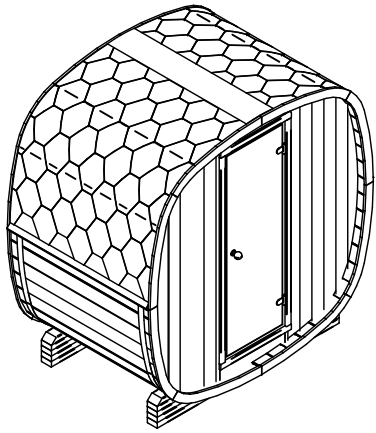
E

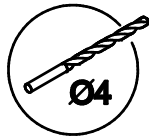
x6
3,5x25

82

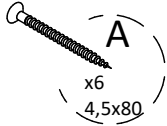
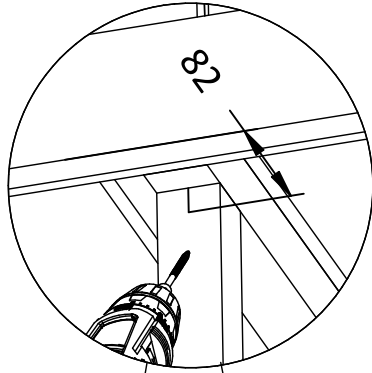
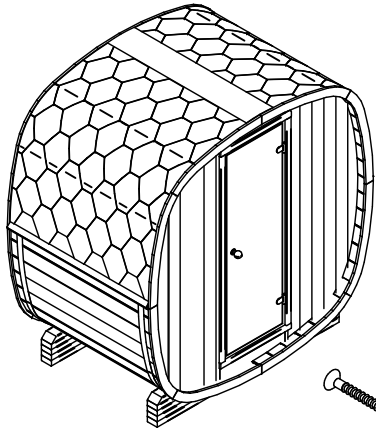
81



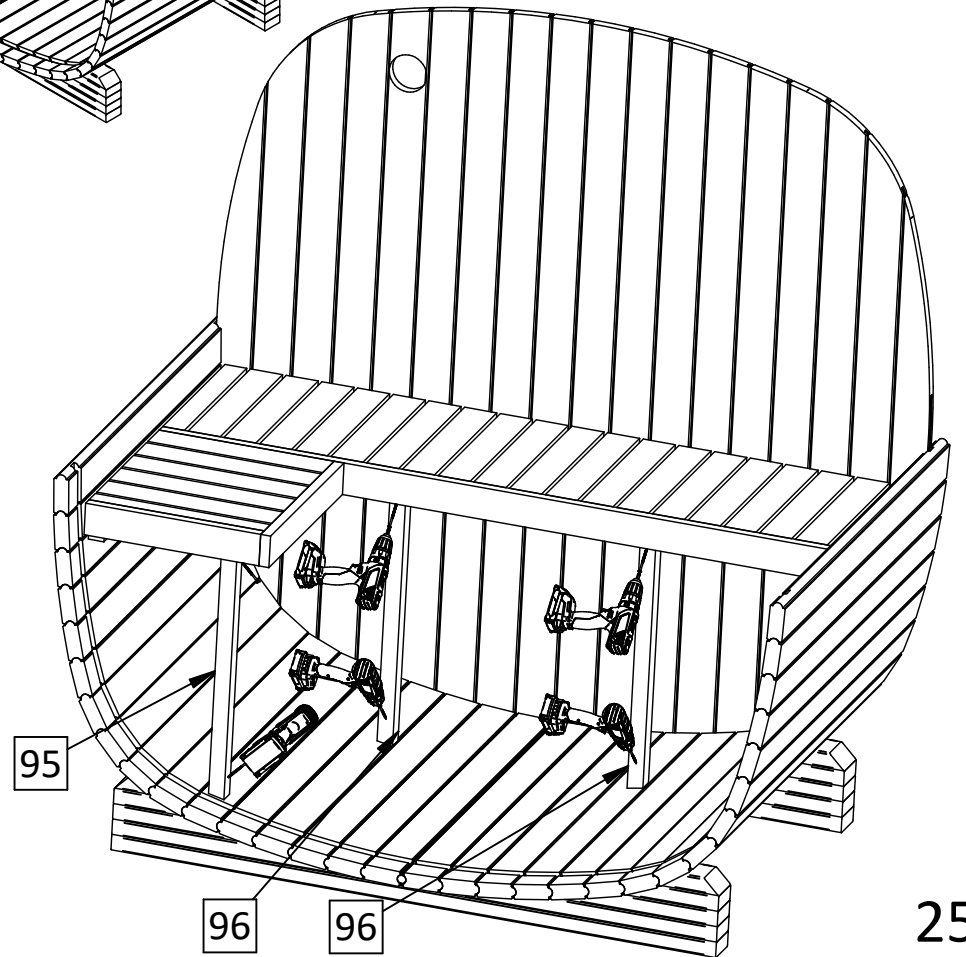
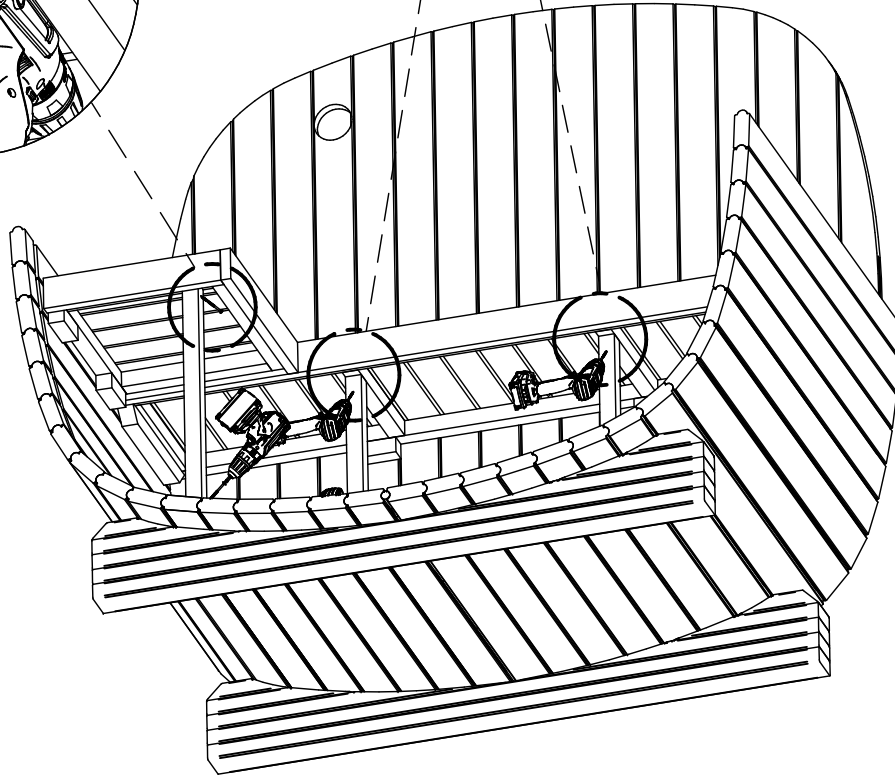
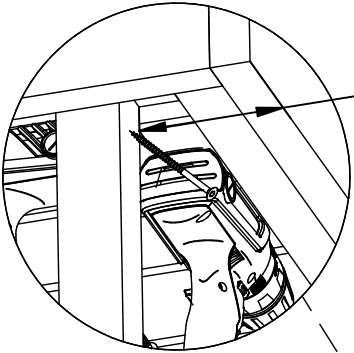
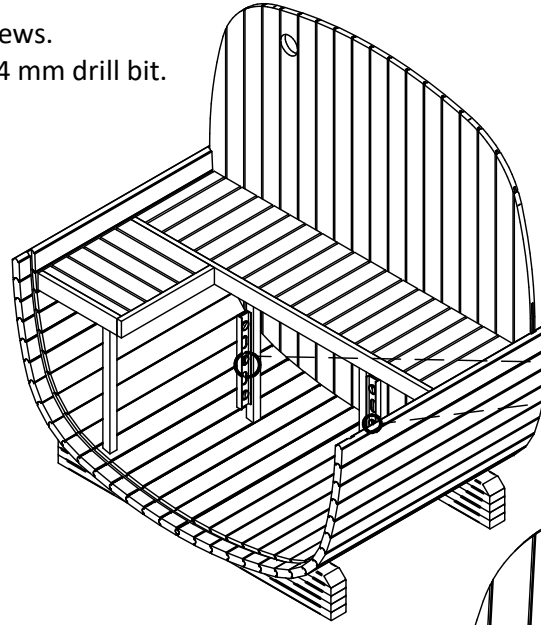
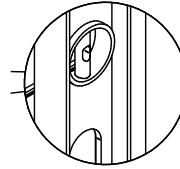


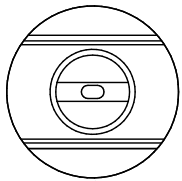
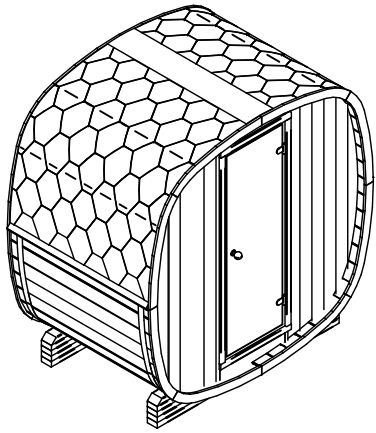


Before processing the screws.
Pre-drill the holes with a 4 mm drill bit.

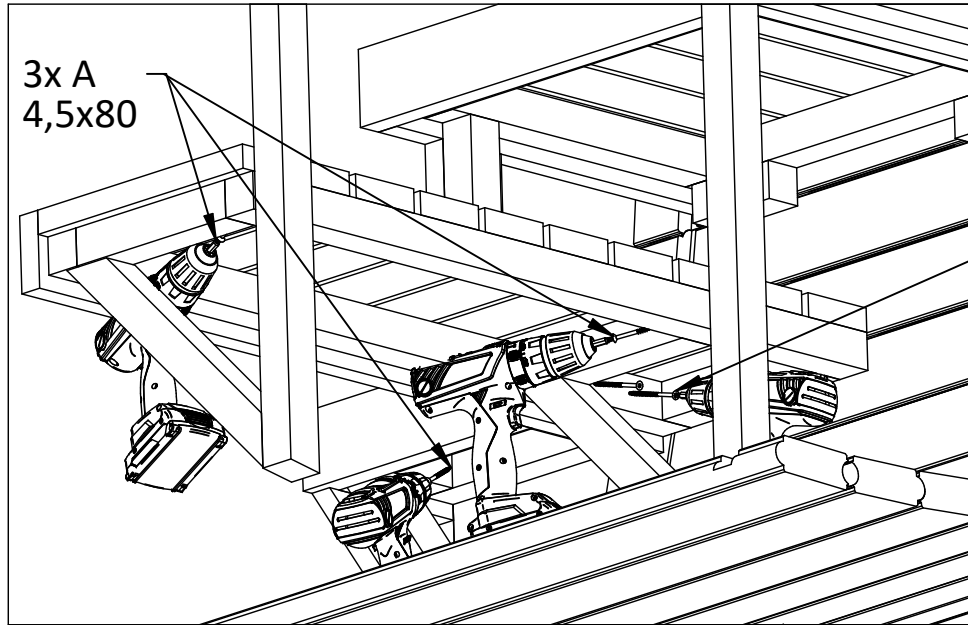
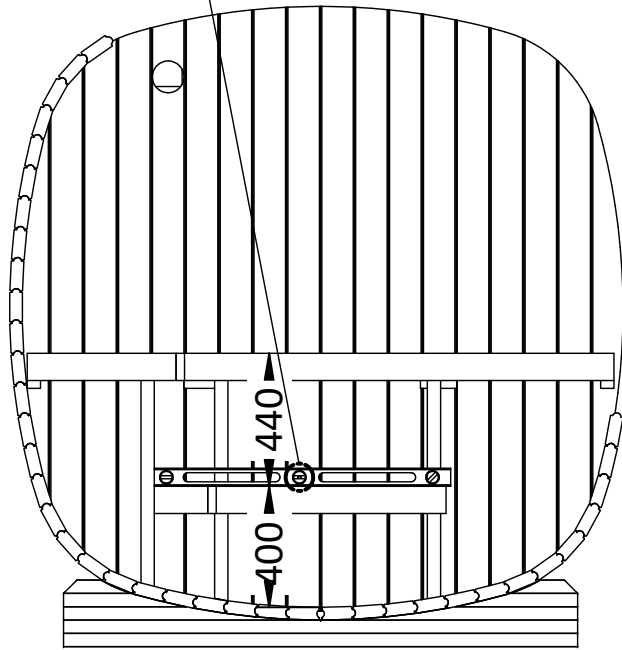


Use a spirit level



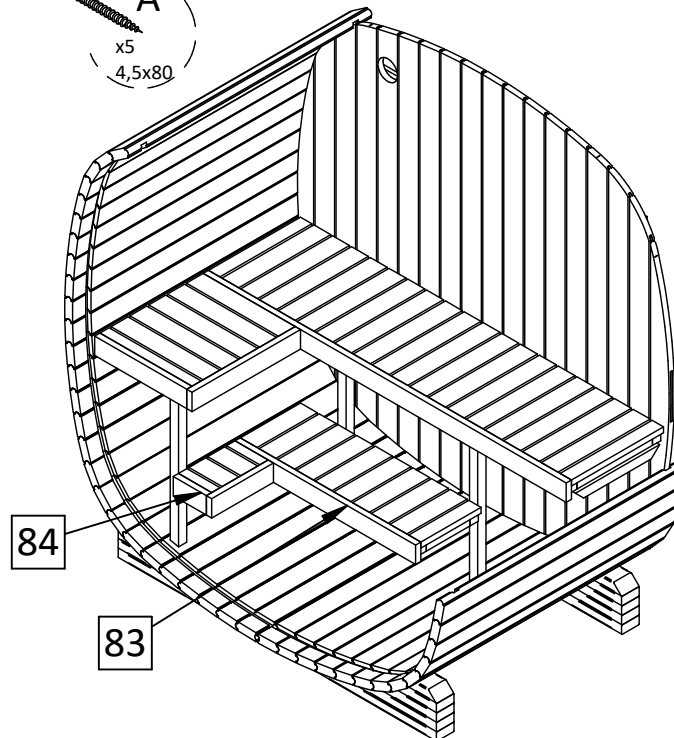
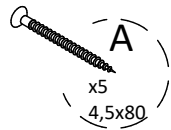


Use a spirit level



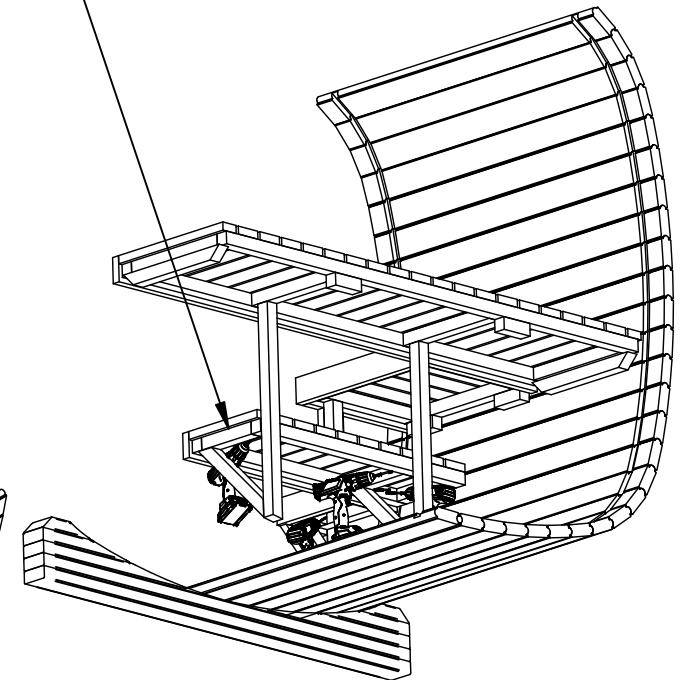
3x A
4,5x80

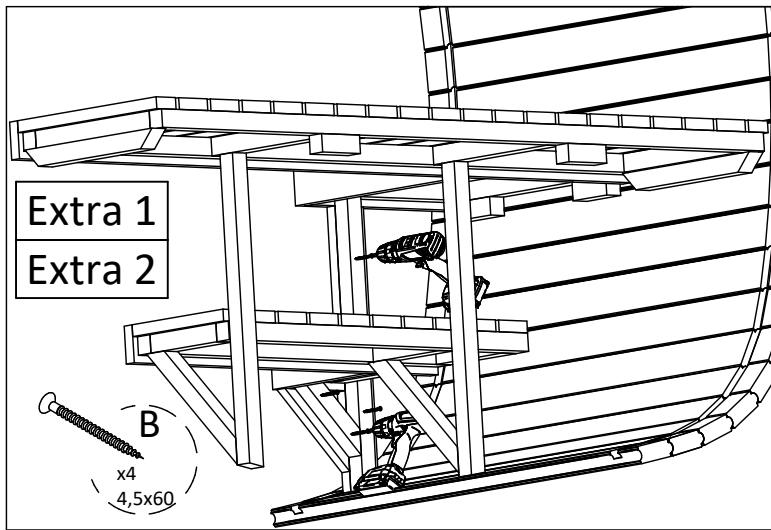
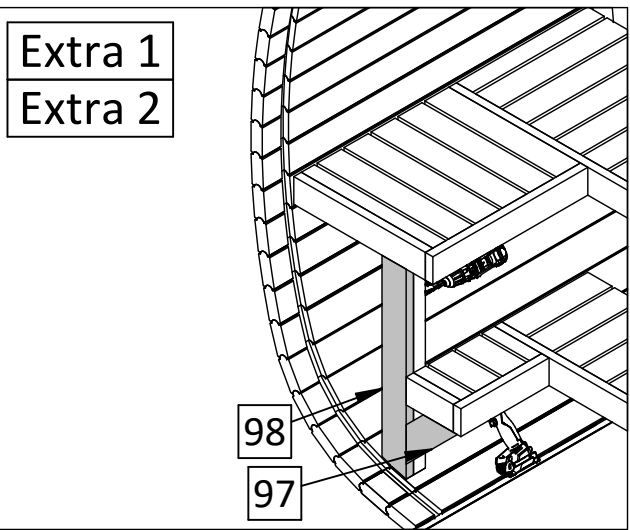
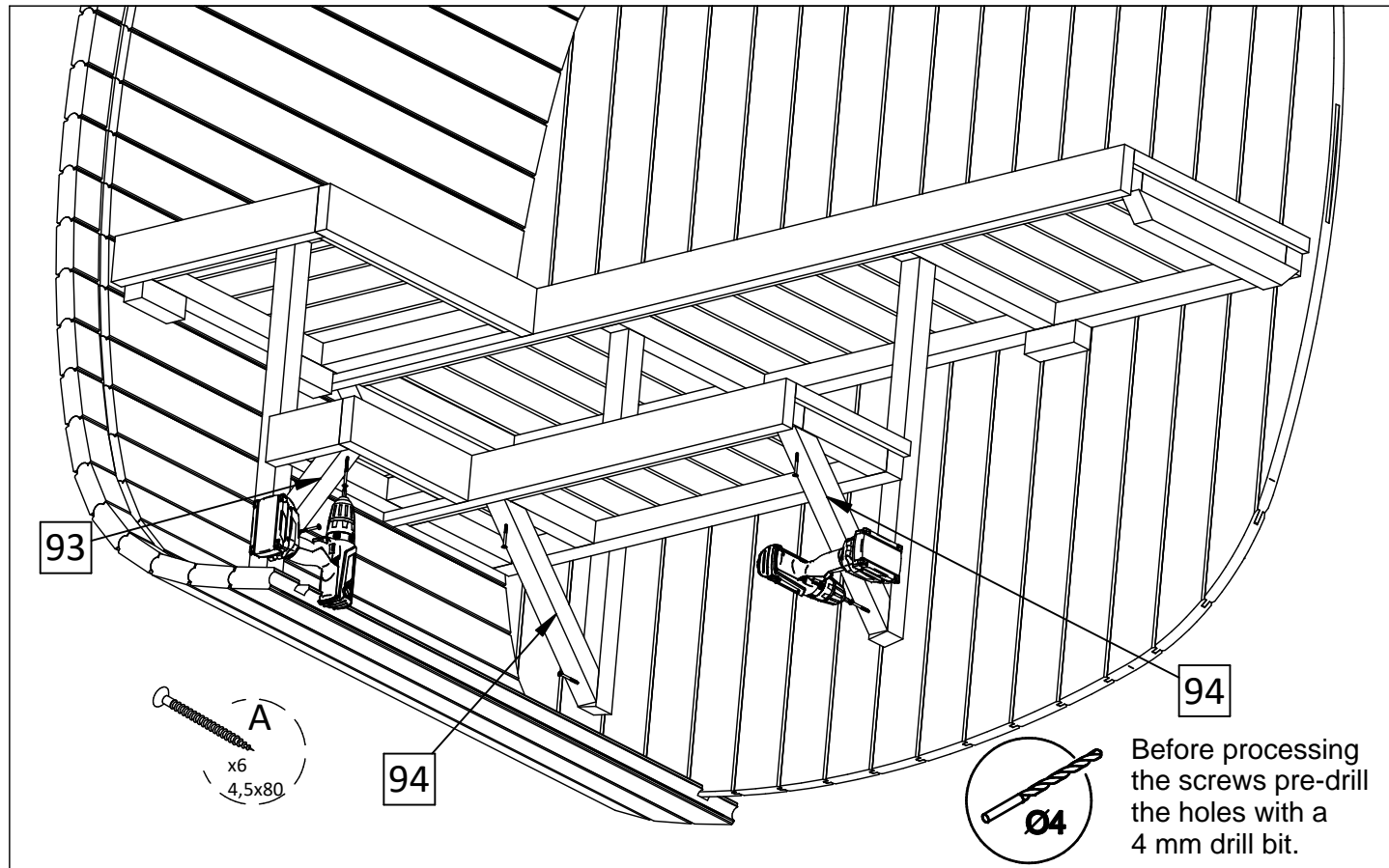
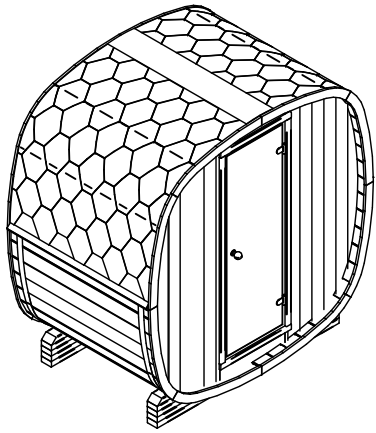
2x A
4,5x80

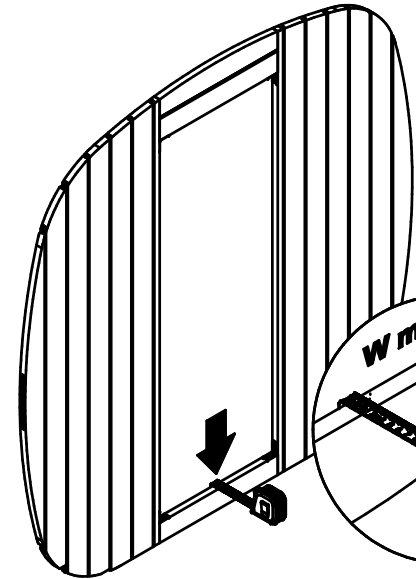
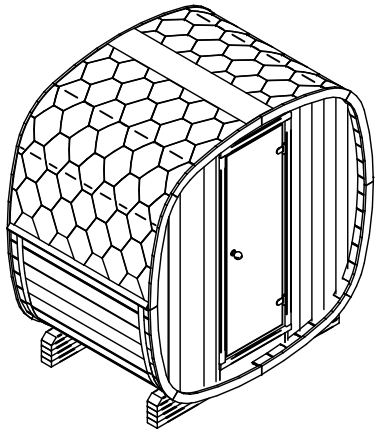


84

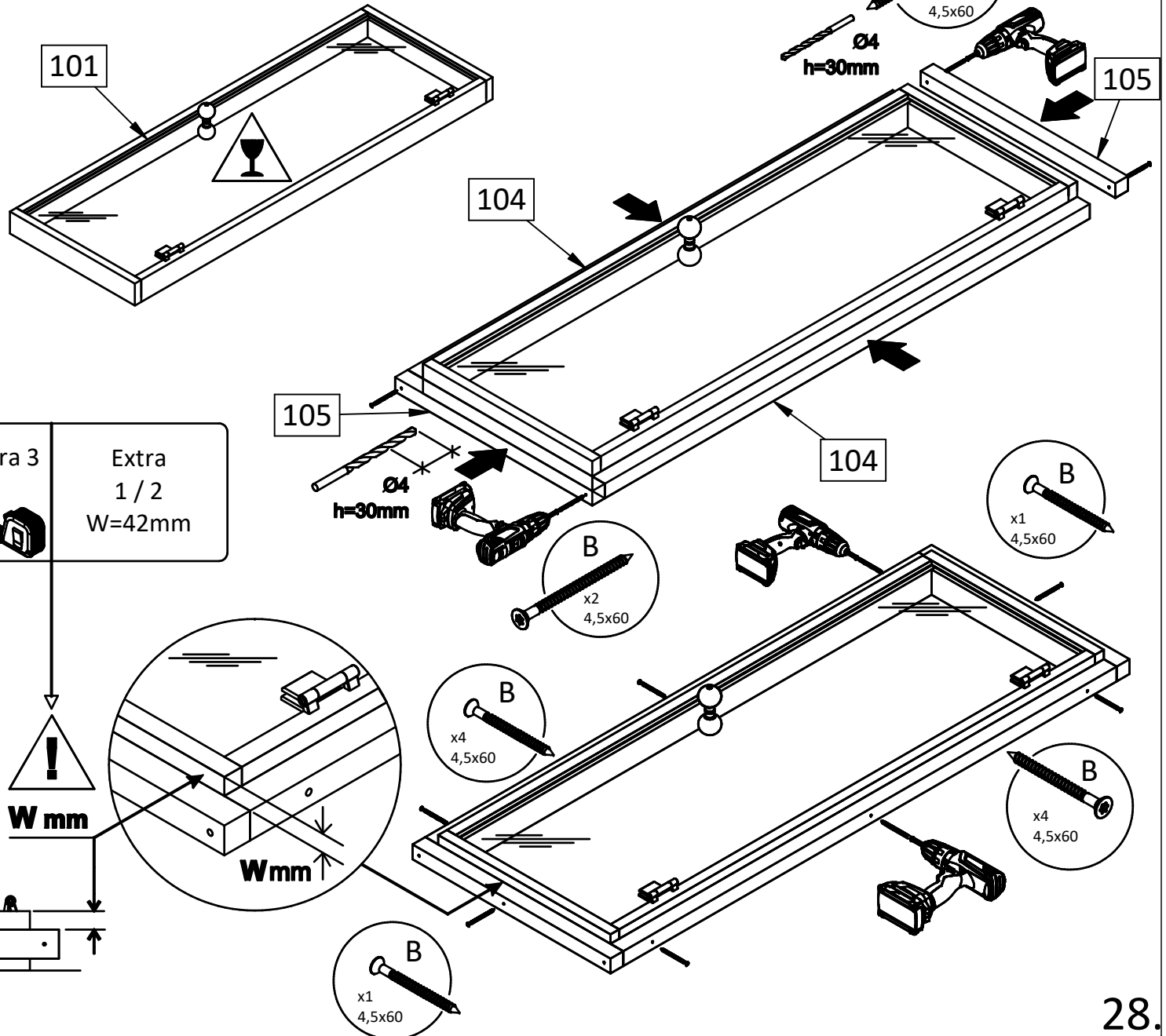
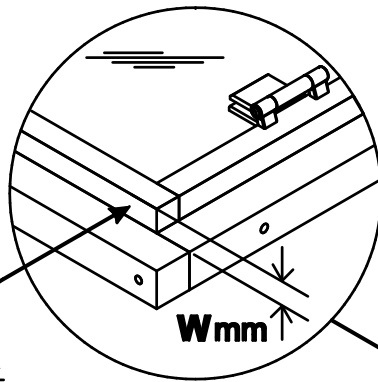
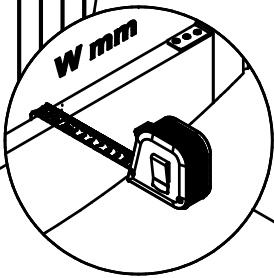
83

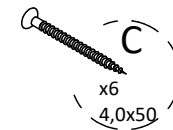
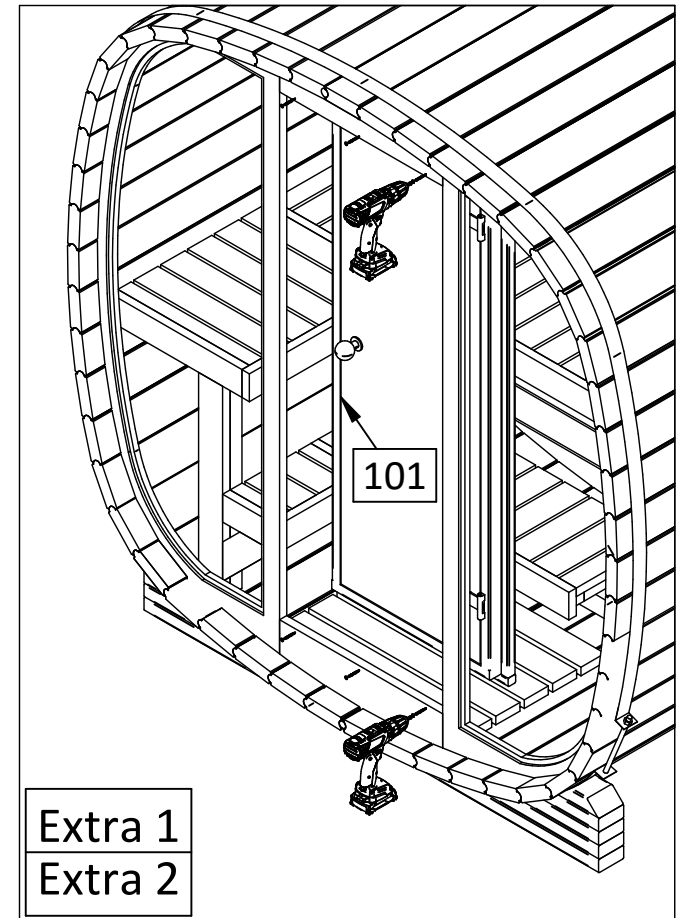
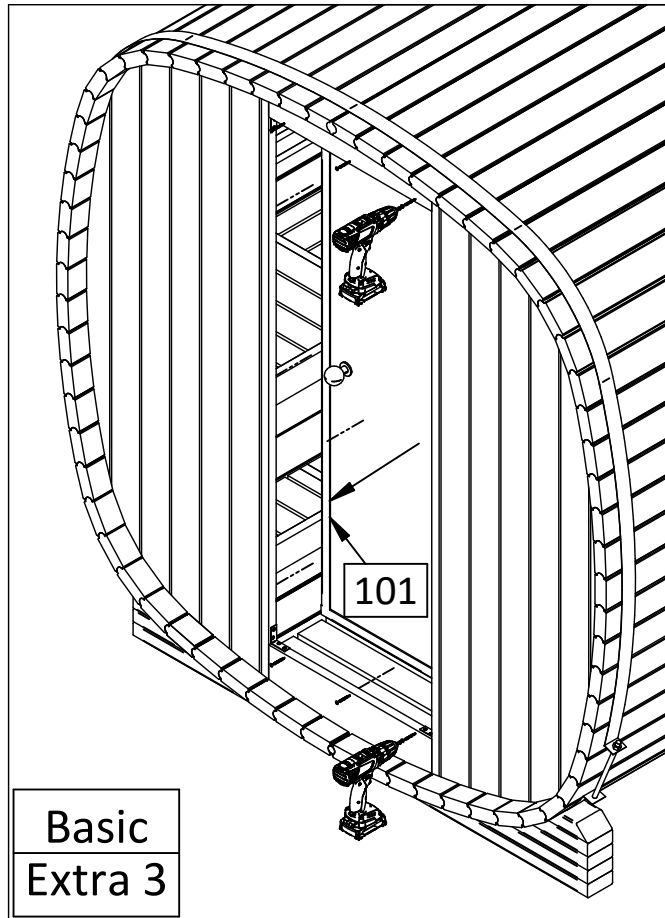
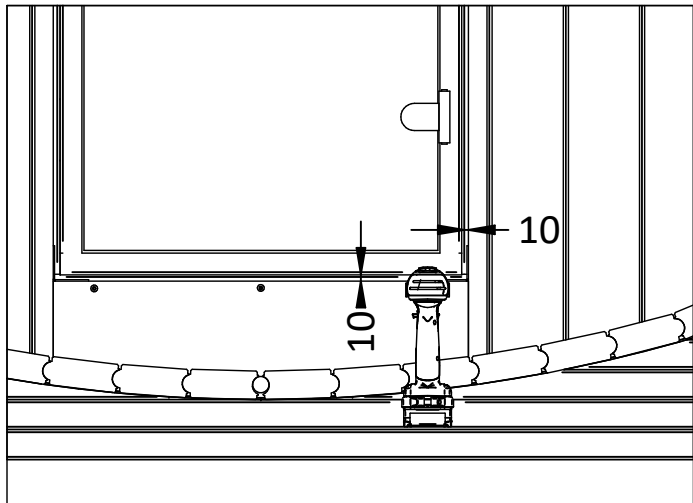
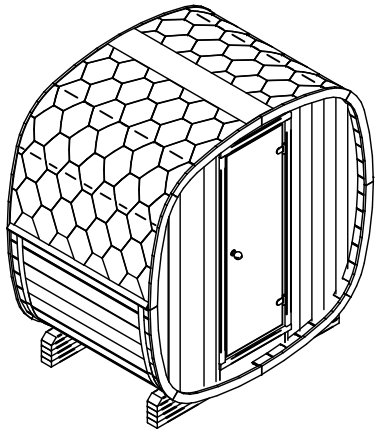




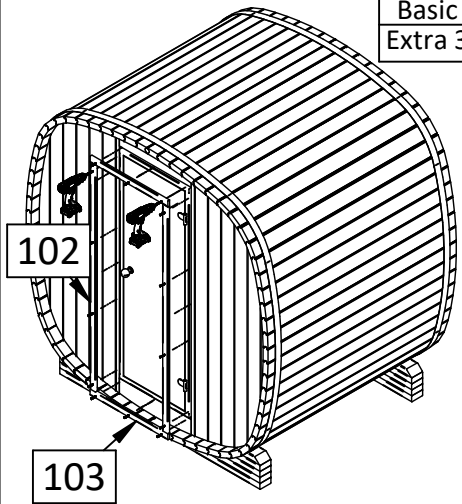


Basic / Extra 3 W= mm	Extra 1 / 2 W=42mm
-----------------------------	--------------------------





Basic
Extra 3



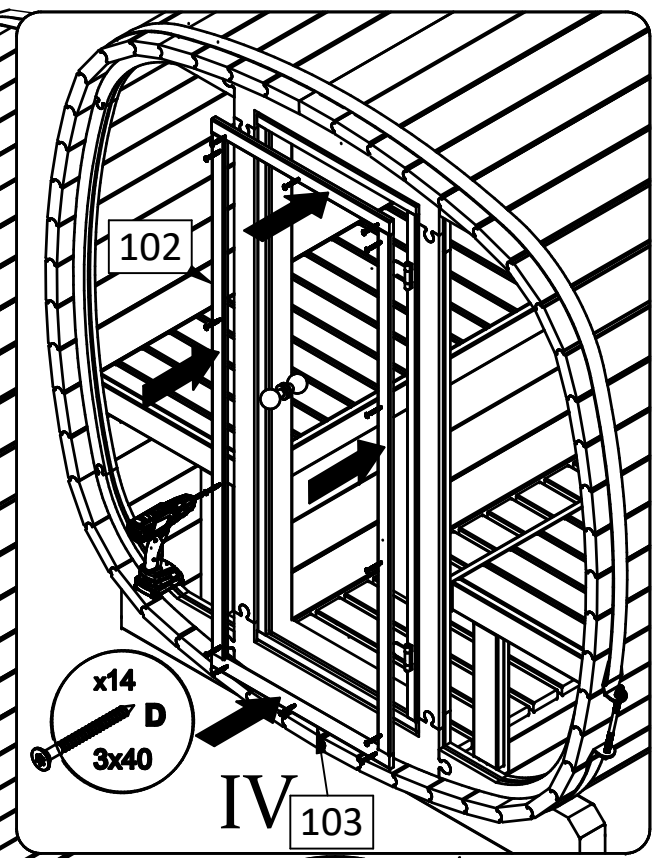
Extra 1 / Extra 2

Attention! After installing the glass,
tighten the straps completely.



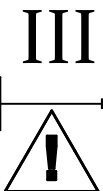
Glas

161

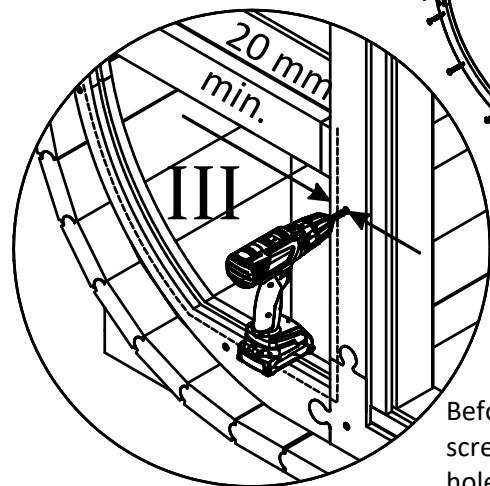


IV 103

631-635



Please be careful!
Do not screw the
screws on the glass.

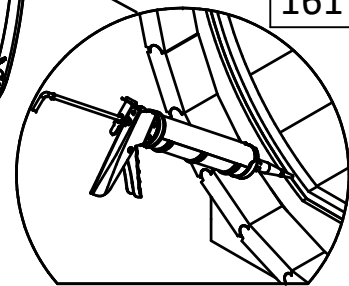


III

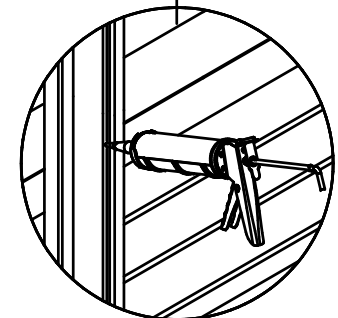


Before processing the
screws. Pre-drill the
holes with a 3 mm drill bit.

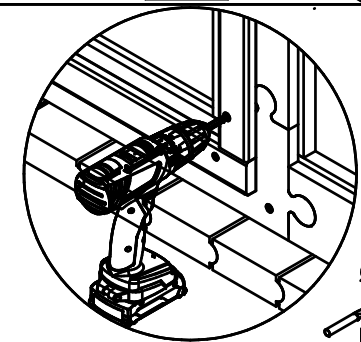
h=15mm



161

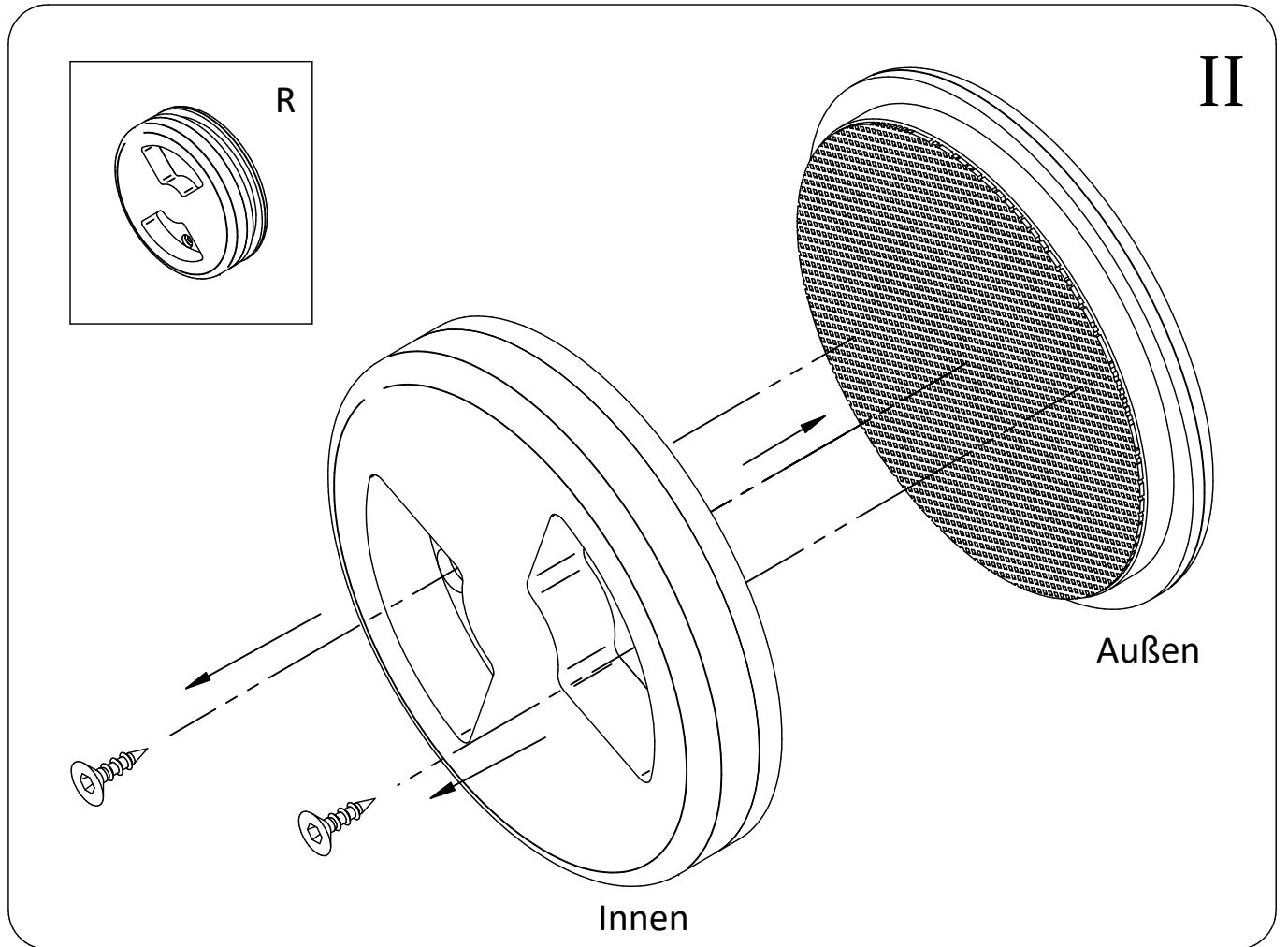
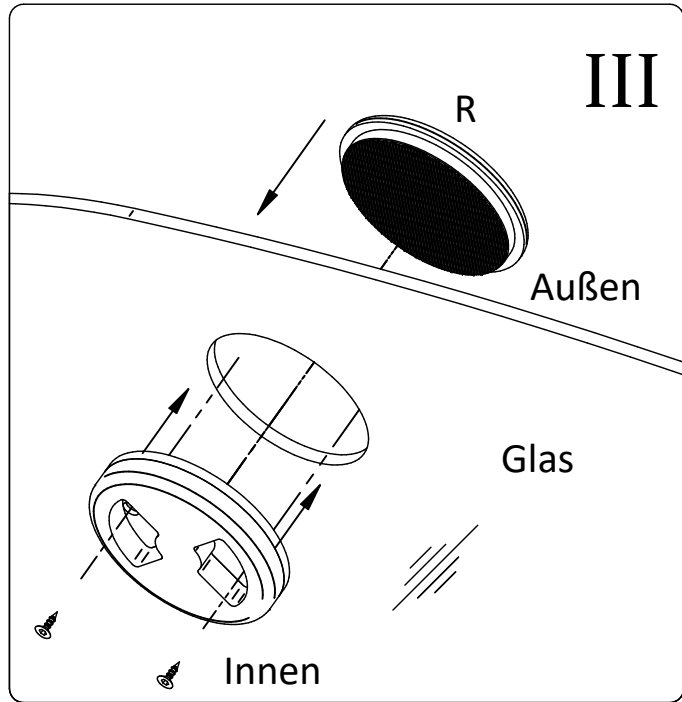


I

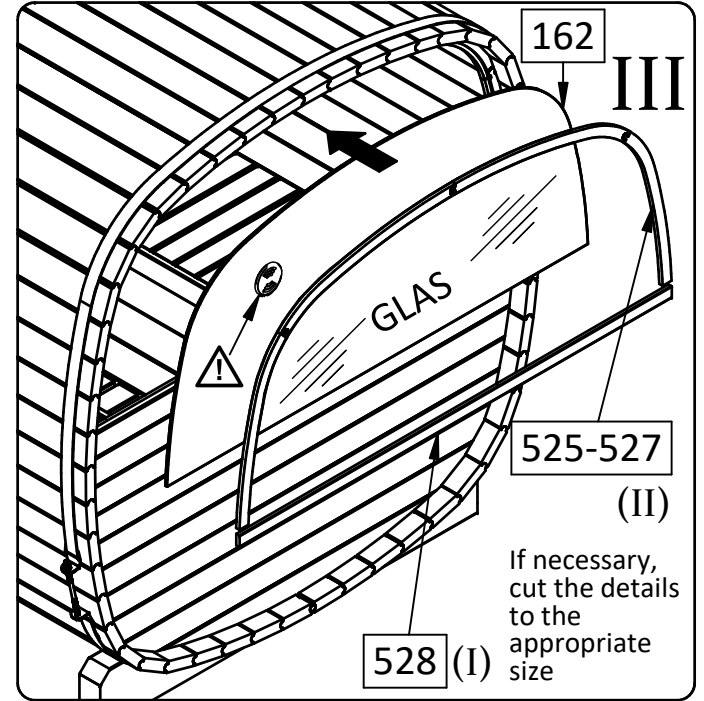
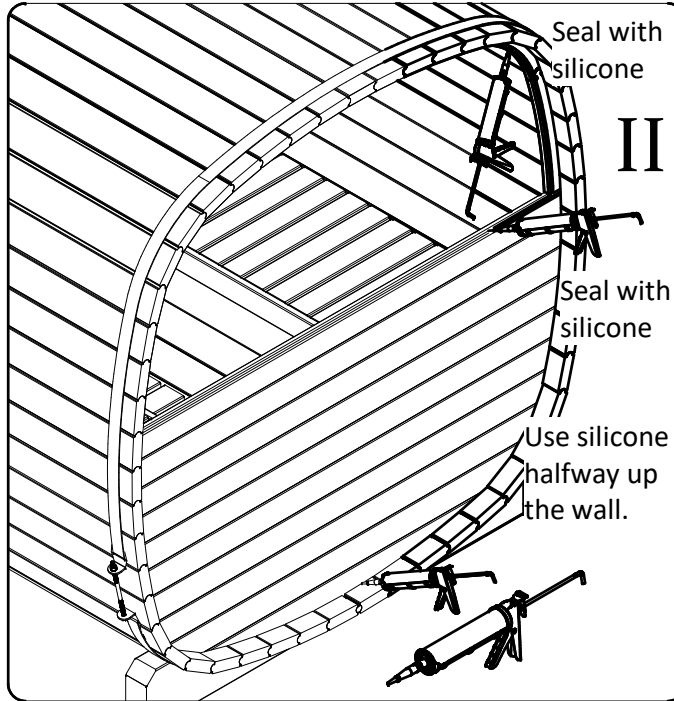
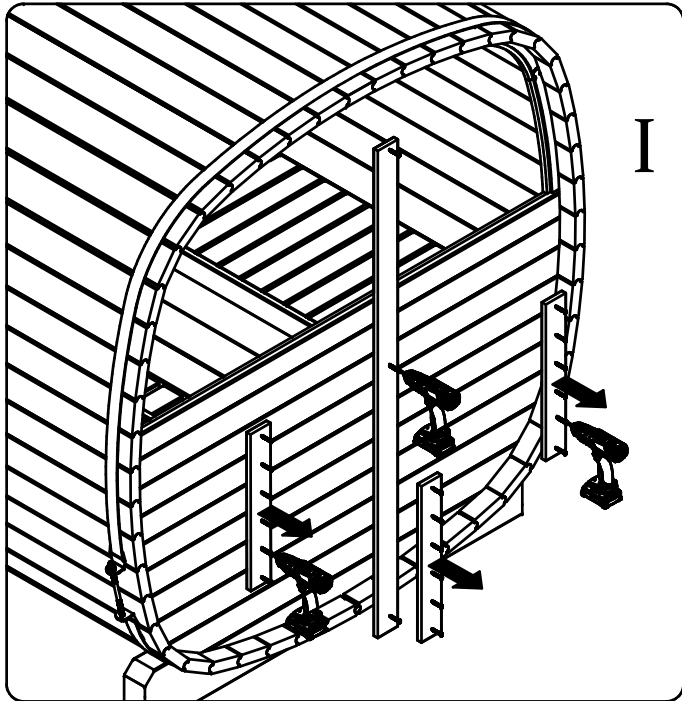


Ø3
h=15mm

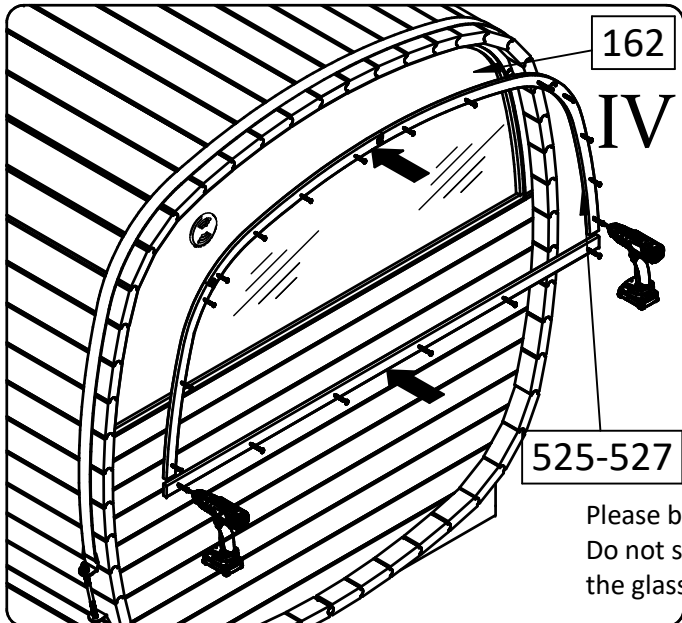
Before processing the screws.
Pre-drill the holes with a 3 mm
drill bit.



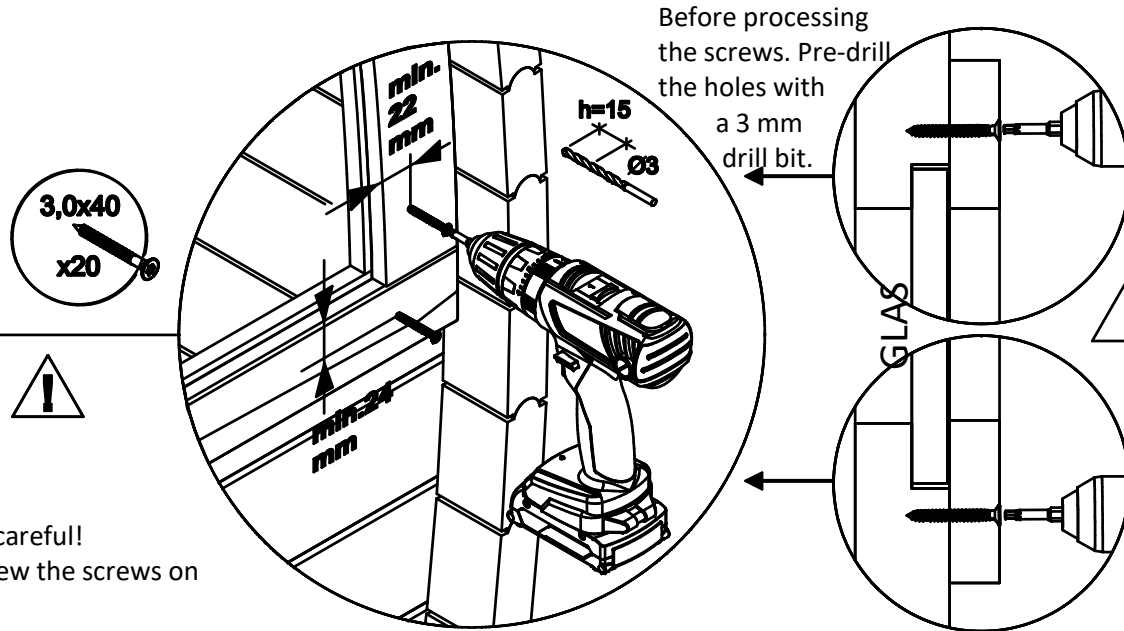
Extra 2 / 3



If necessary, cut the details to the appropriate size

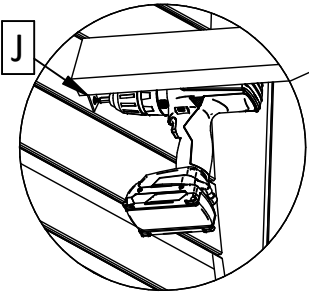
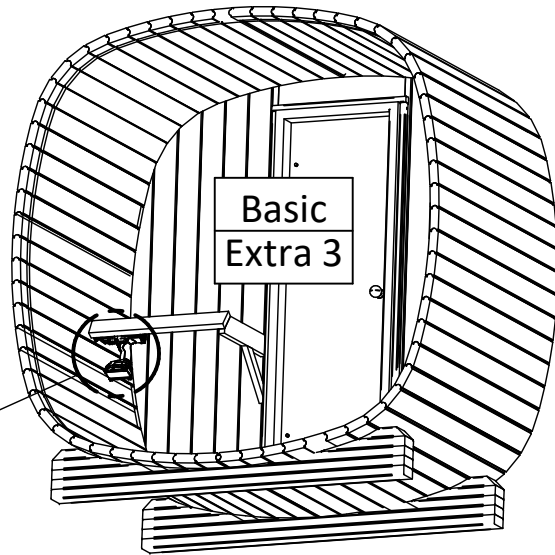
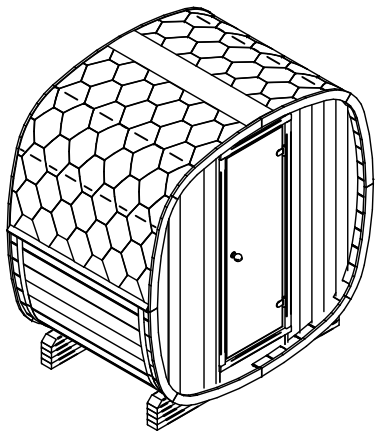


Please be careful!
Do not screw the screws on the glass.



Before processing the screws. Pre-drill the holes with a 3 mm drill bit.

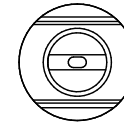
Please be careful!
Do not screw the screws on the glass.



Use a spirit level

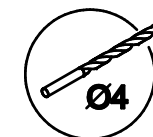
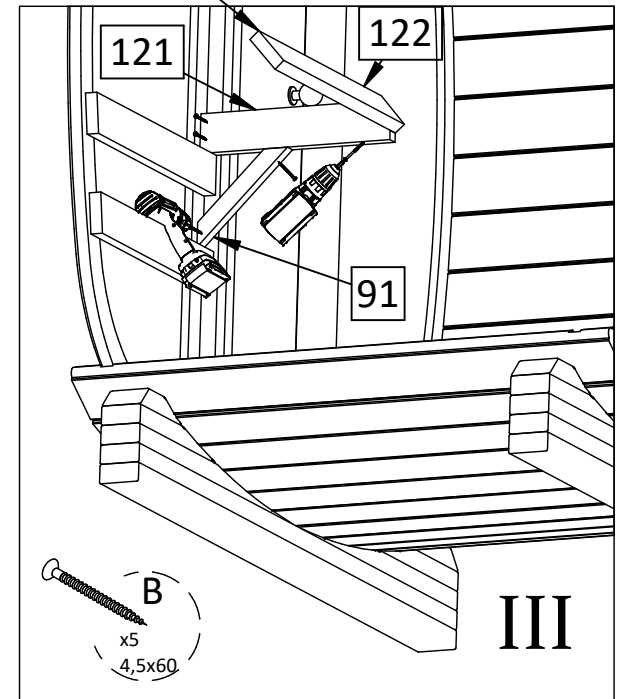
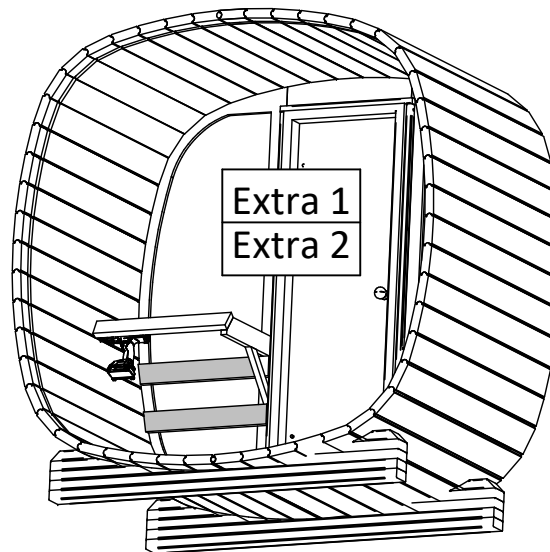
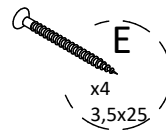
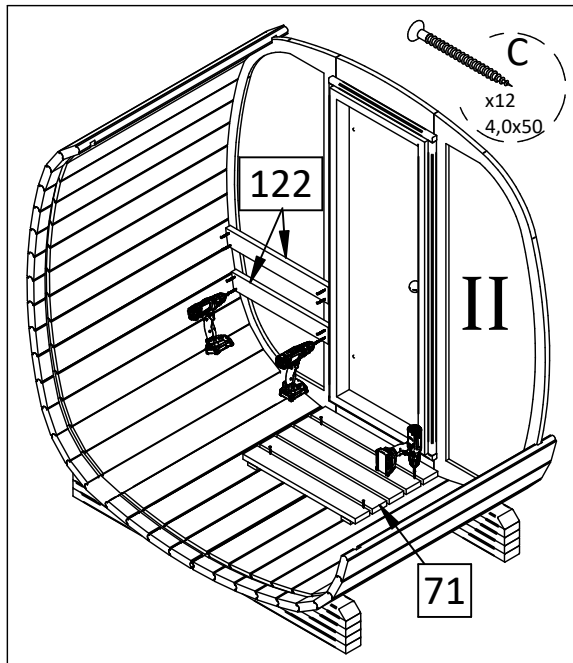
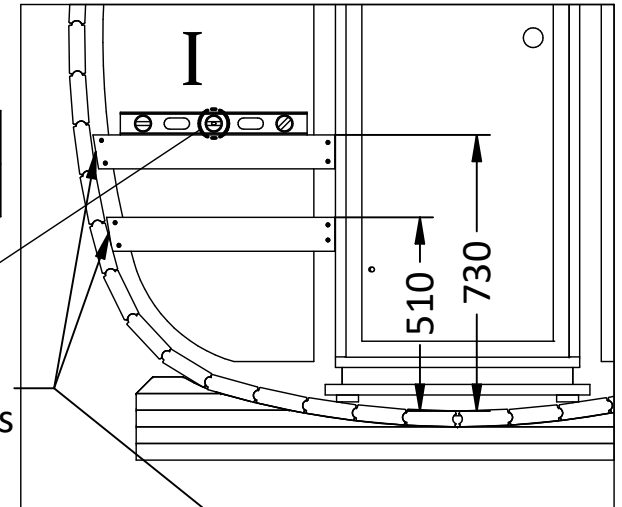


Extra 1
Extra 2

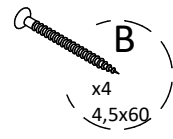
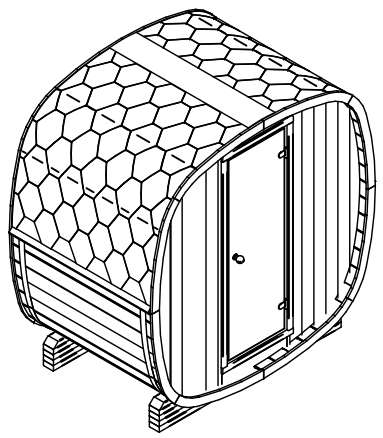


If necessary,
cut the details
to the
appropriate
size

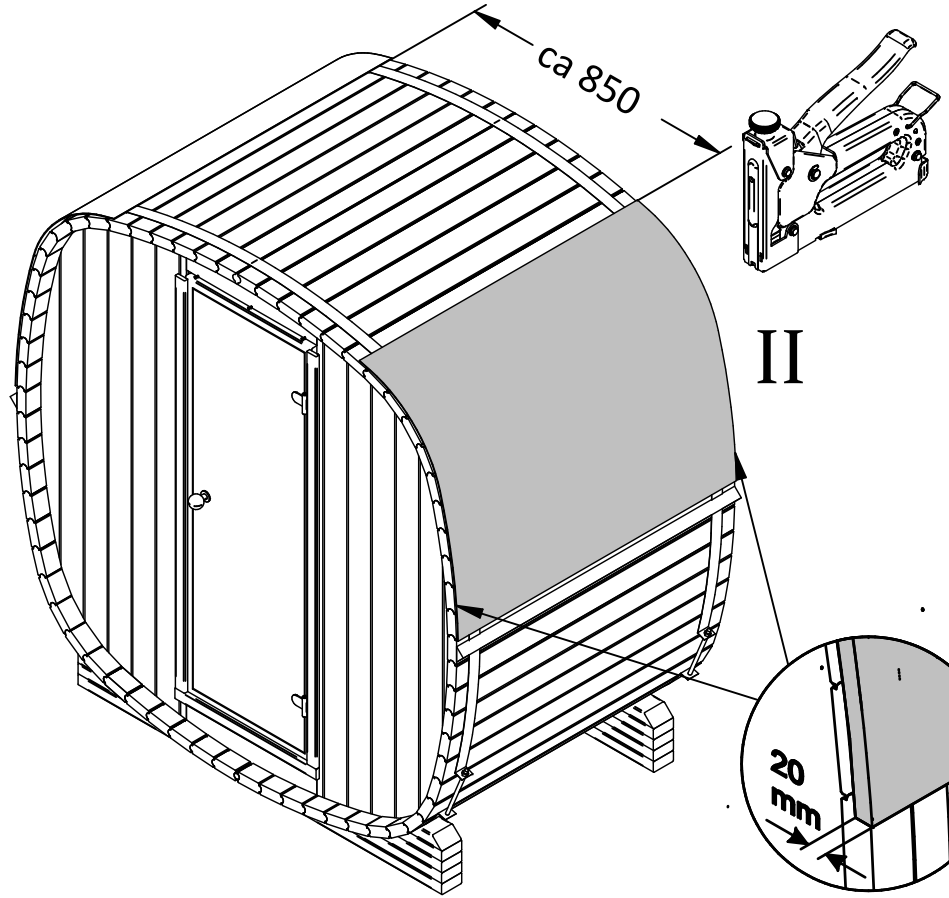
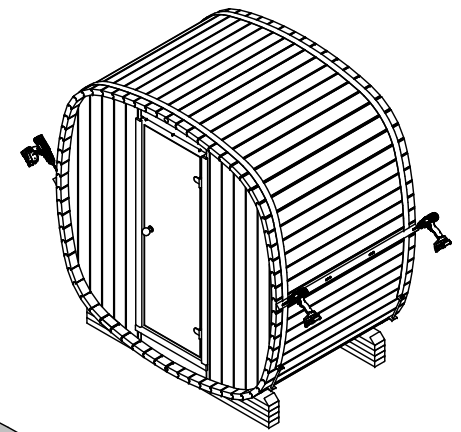
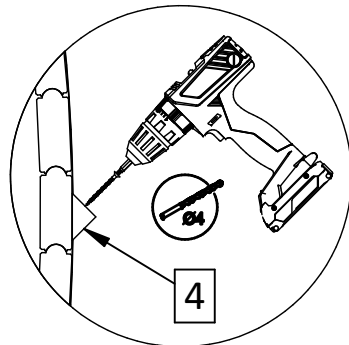
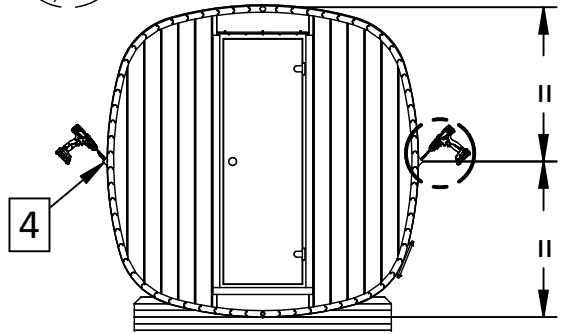
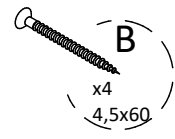
Extra 1 / Extra 2



Before processing
the screws. Pre-drill
the holes with
a 4 mm drill bit.

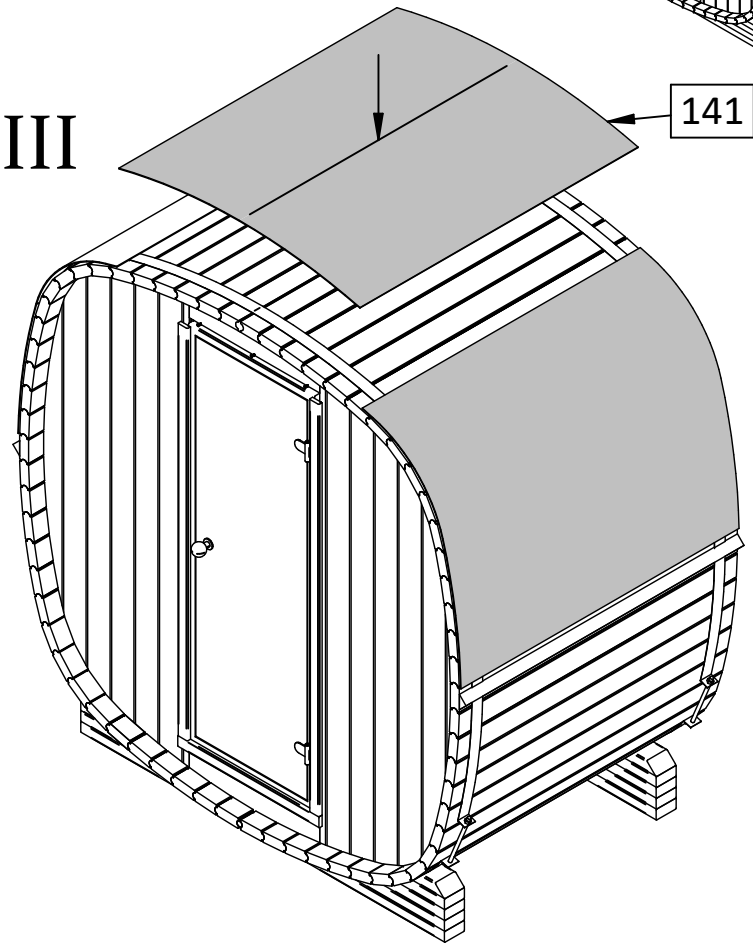


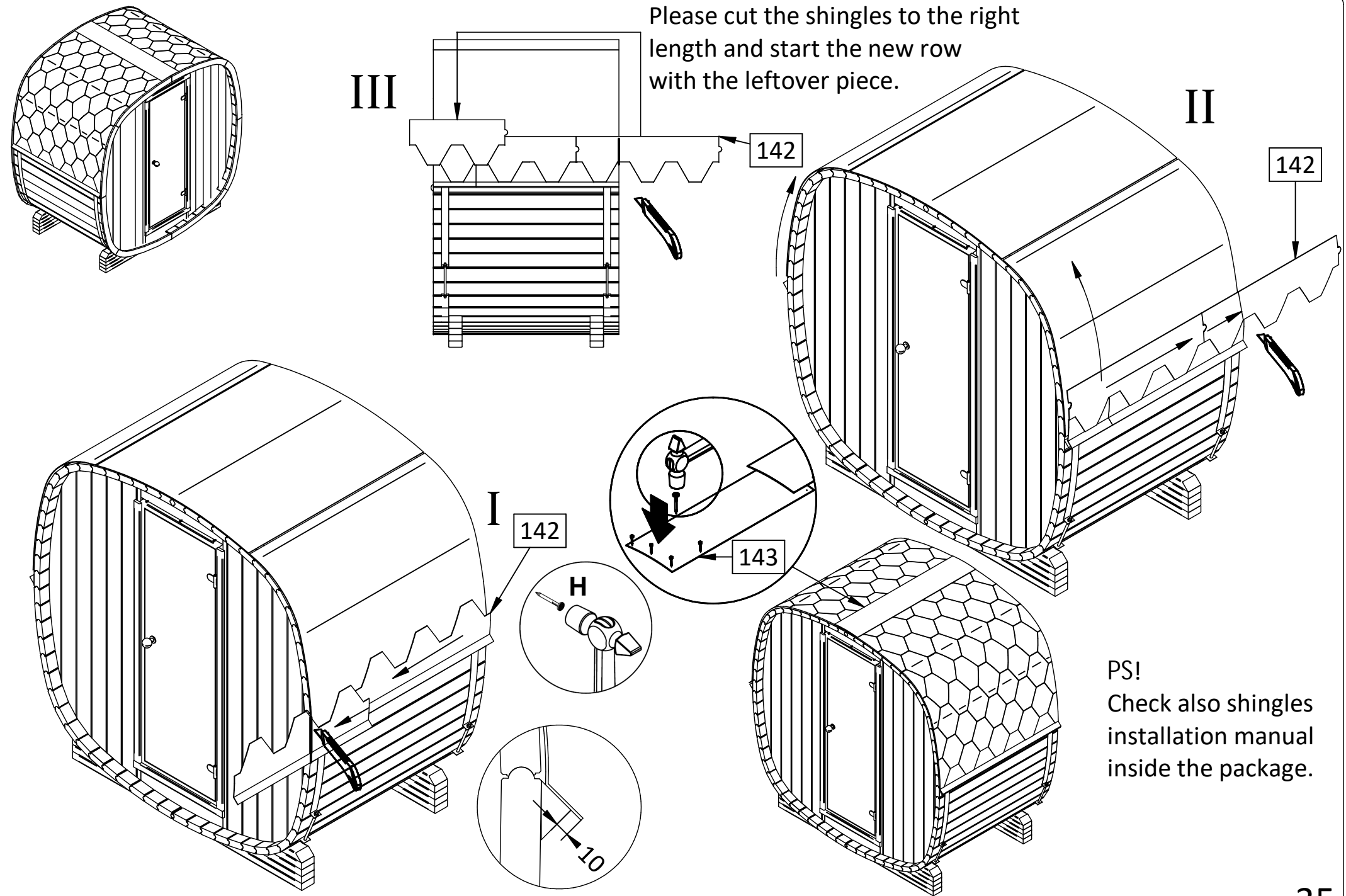
I



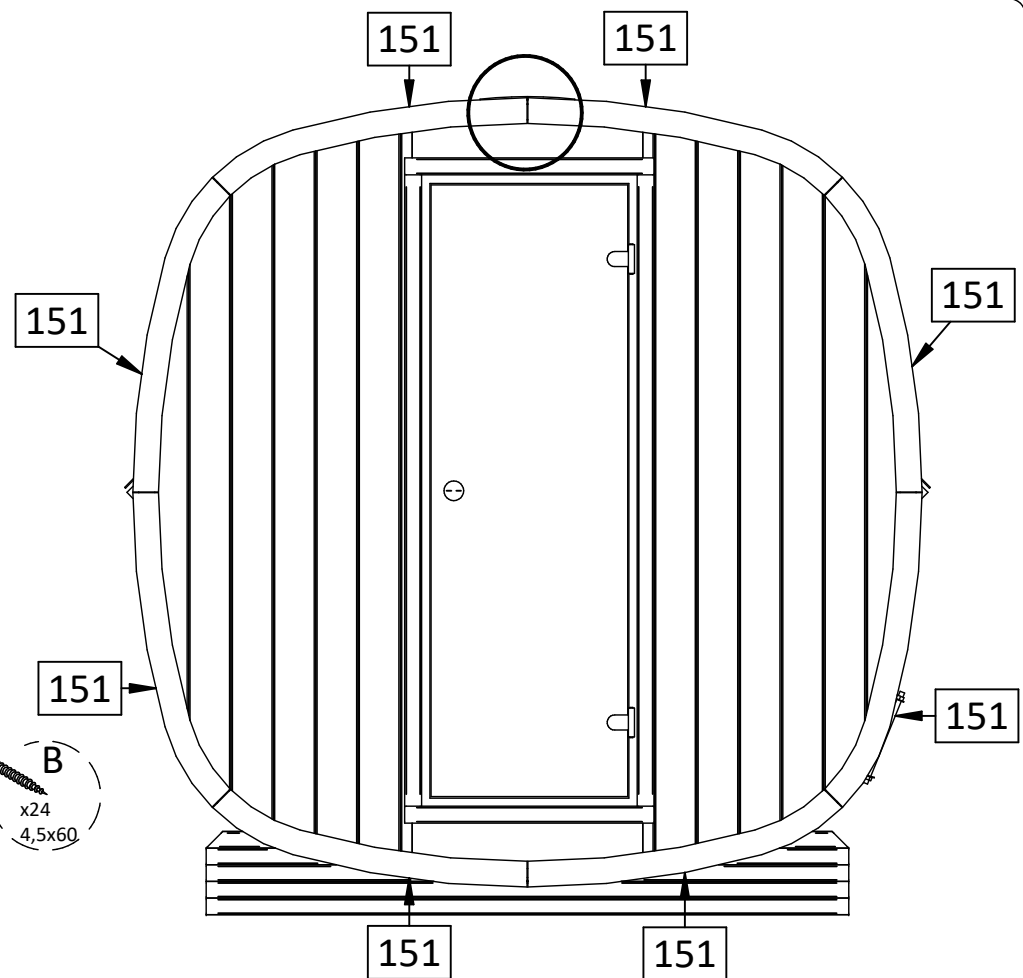
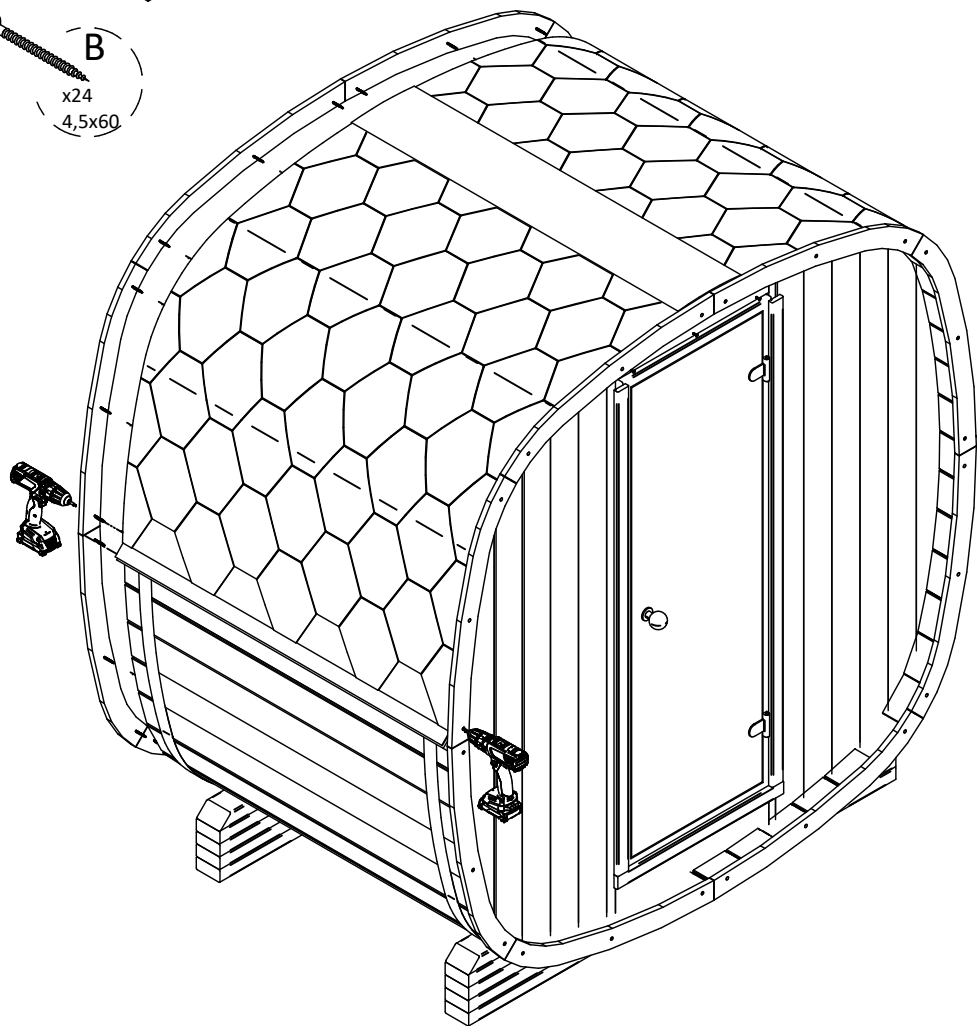
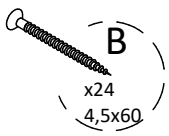
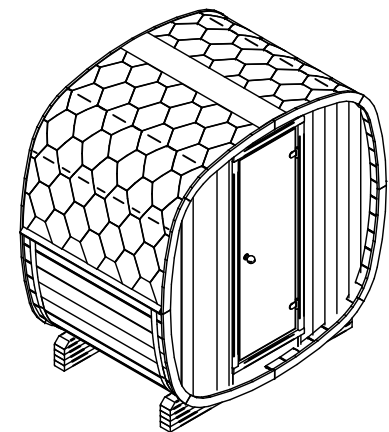
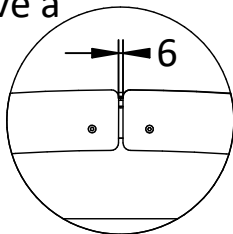
II

III





Attention! Leave a gap of 6 mm.



Before processing the screws.
Pre-drill the holes with a 4 mm
drill bit.

When re-tightening the straps later
loosen the panels to avoid damage.

Optional

