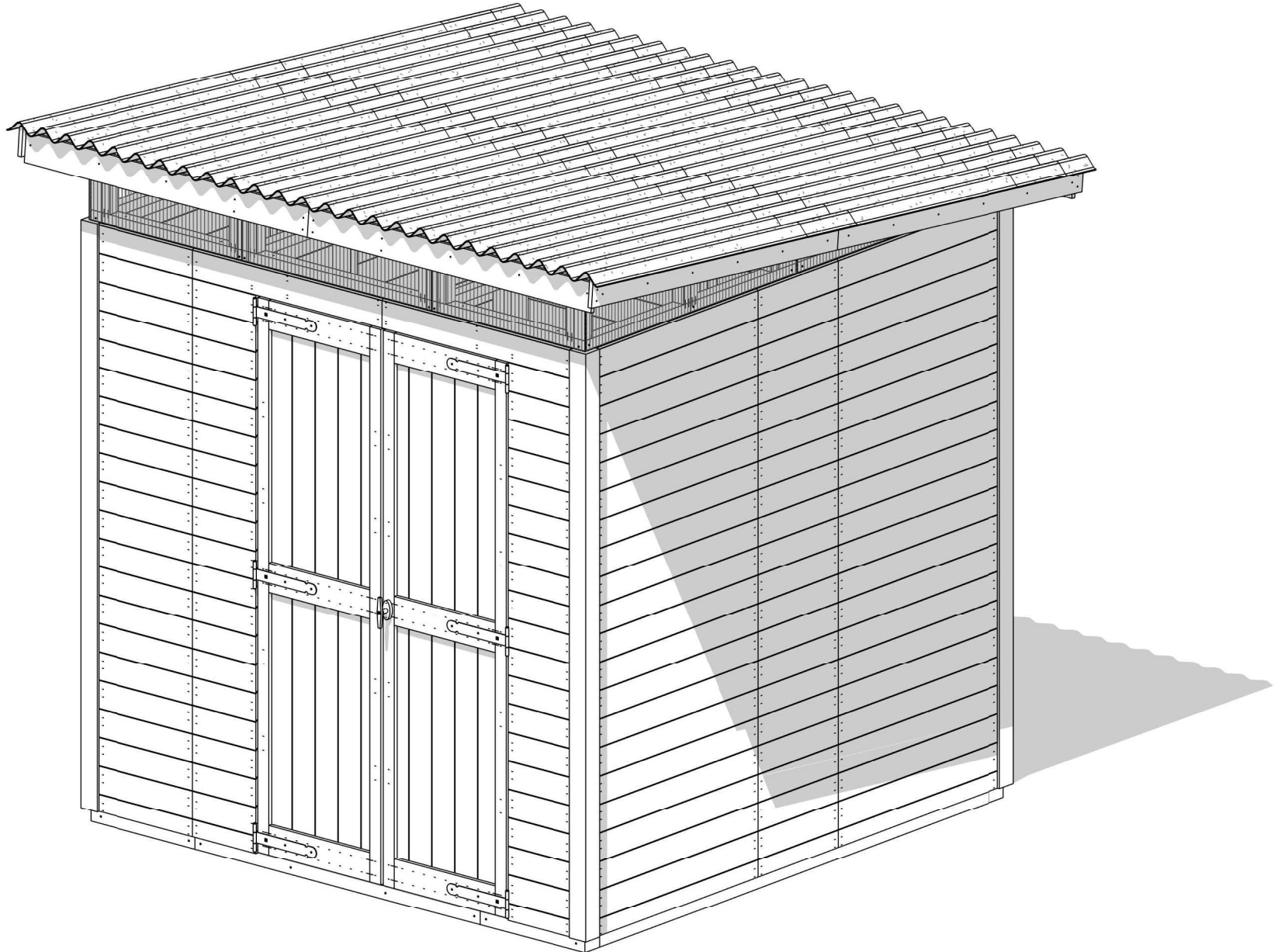
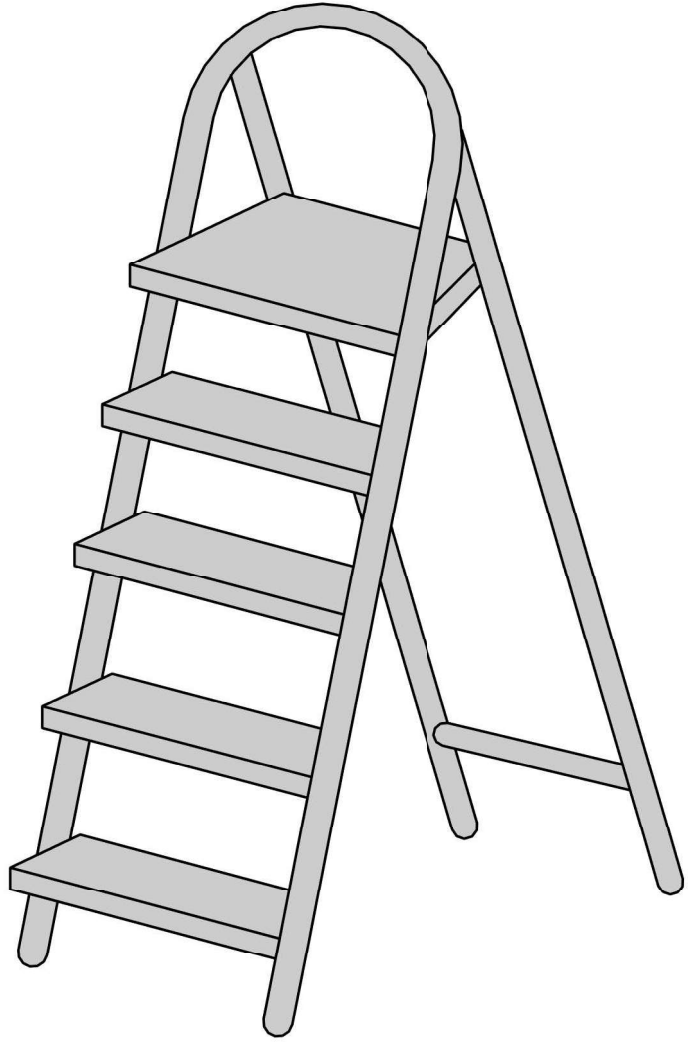
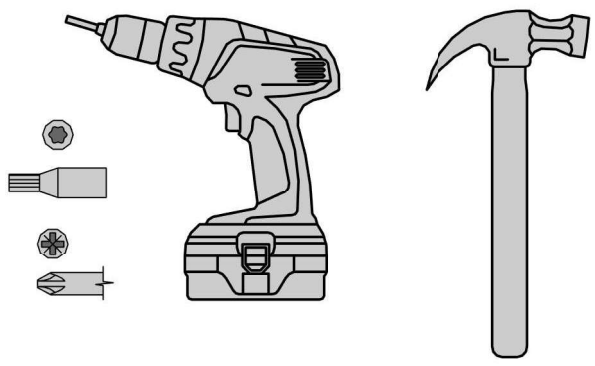
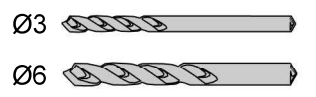
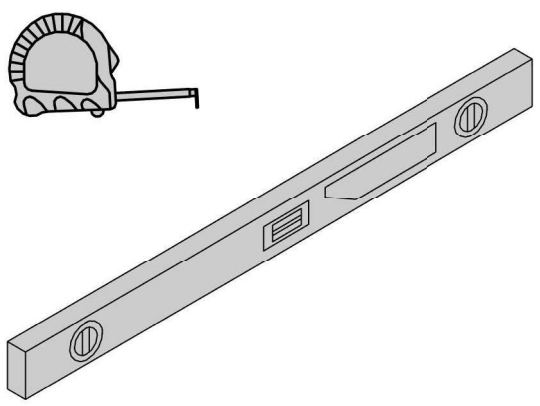
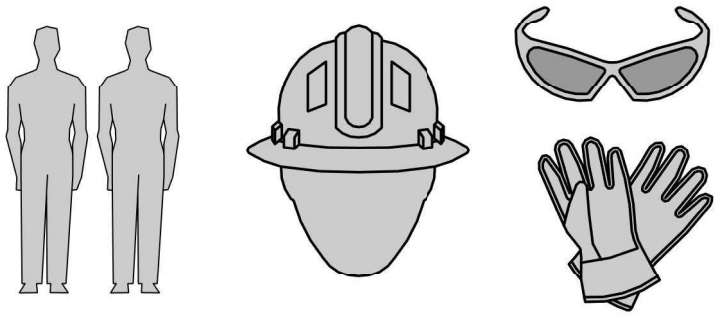


# STRONGBOX XL

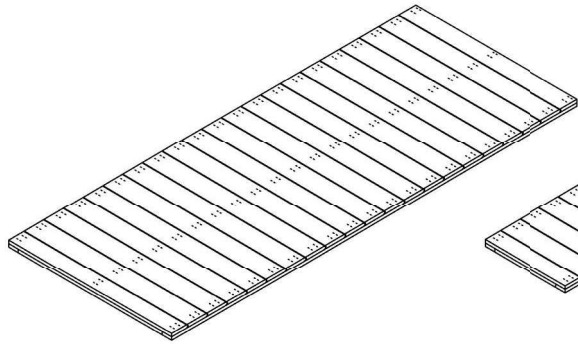
**upyard™**





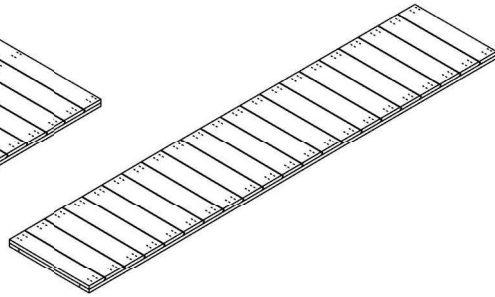
**P1** - 760 x 1900 x 28

x2



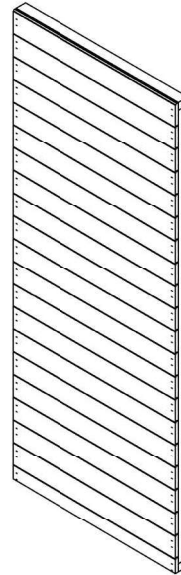
**P2** - 380 x 1900 x 28

x1



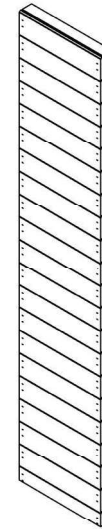
**P3** - 760 x 1900 x 58

x6



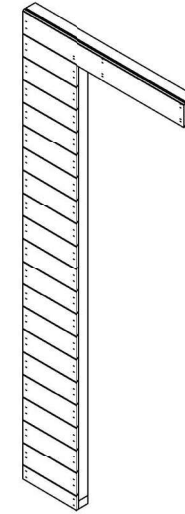
**P4** - 380 x 1900 x 58

x4



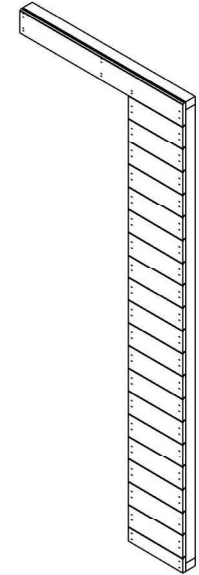
**P5L** - 760 x 1900 x 58

x1



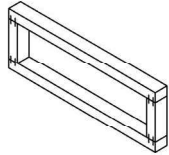
**P5R** - 760 x 1900 x 58

x1



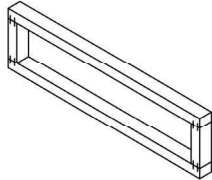
**P6** - 547 x 194 x 44

x2



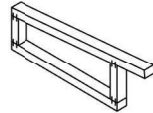
**P7** - 715 x 194 x 44

x1



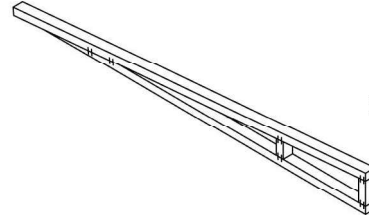
**P8A** - 629 x 226 x 44

x4



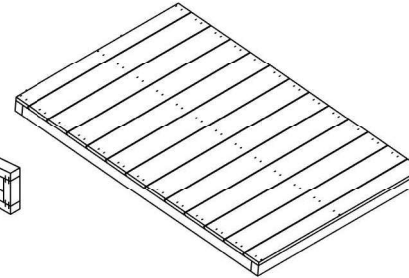
**P8B** - 1644 x 181 x 44

x4



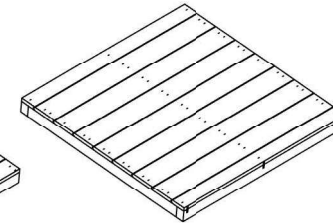
**P9** - 760 x 1140 x 58

x4



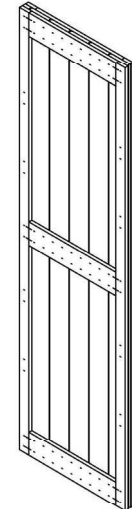
**P10** - 760 x 760 x 58

x3

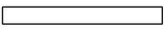


**P11** - 493 x 1793 x 42

x2



**1** - 44 x 70 x 422

x4 

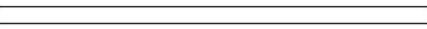
**6** - 14 x 95 x 1518

x1 

**11** - 14 x 95 x 1170

x4 

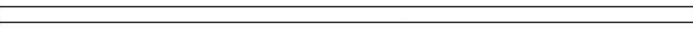
**2** - 44 x 70 x 1144

x2 

**7** - 14 x 95 x 165

x4 

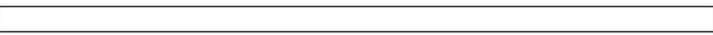
**3** - 44 x 70 x 1848

x6 

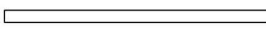
**8** - 32 x 44 x 547

x2 

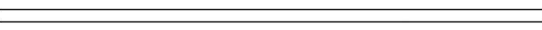
**4** - 66 x 66 x 1900

x4 

**9** - 32 x 44 x 715


x3 

**5** - 32 x 44 x 1450

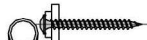
x1 

**10** - 14 x 95 x 1140

x4 

**A** Ø3.5x25-TX15 

x20

**H** Ø4.5x45(PC) 


x34

**L** 760 x 180 x 4

x1

**O** 

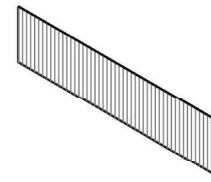
x6

**B** Ø3.5x35-TX15 

x84


**I** 1001 x 119 x 4

x2



**P** 

x1

**C** Ø4x50-TX20 

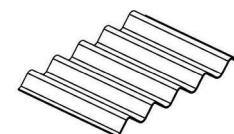
x162

**J** 1001 x 210 x 4

x2


**M** 370 x 475 x 35

x6



**Q** 

x2

**D** Ø5x70-TX25 

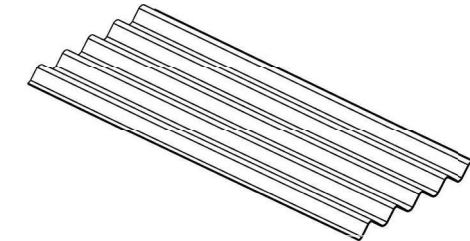
x60

**K** 617 x 180 x 4

x2

**N** 1240 x 475 x 35

x12

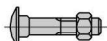


**R** 

x2

**E** Ø5x120-TX25 

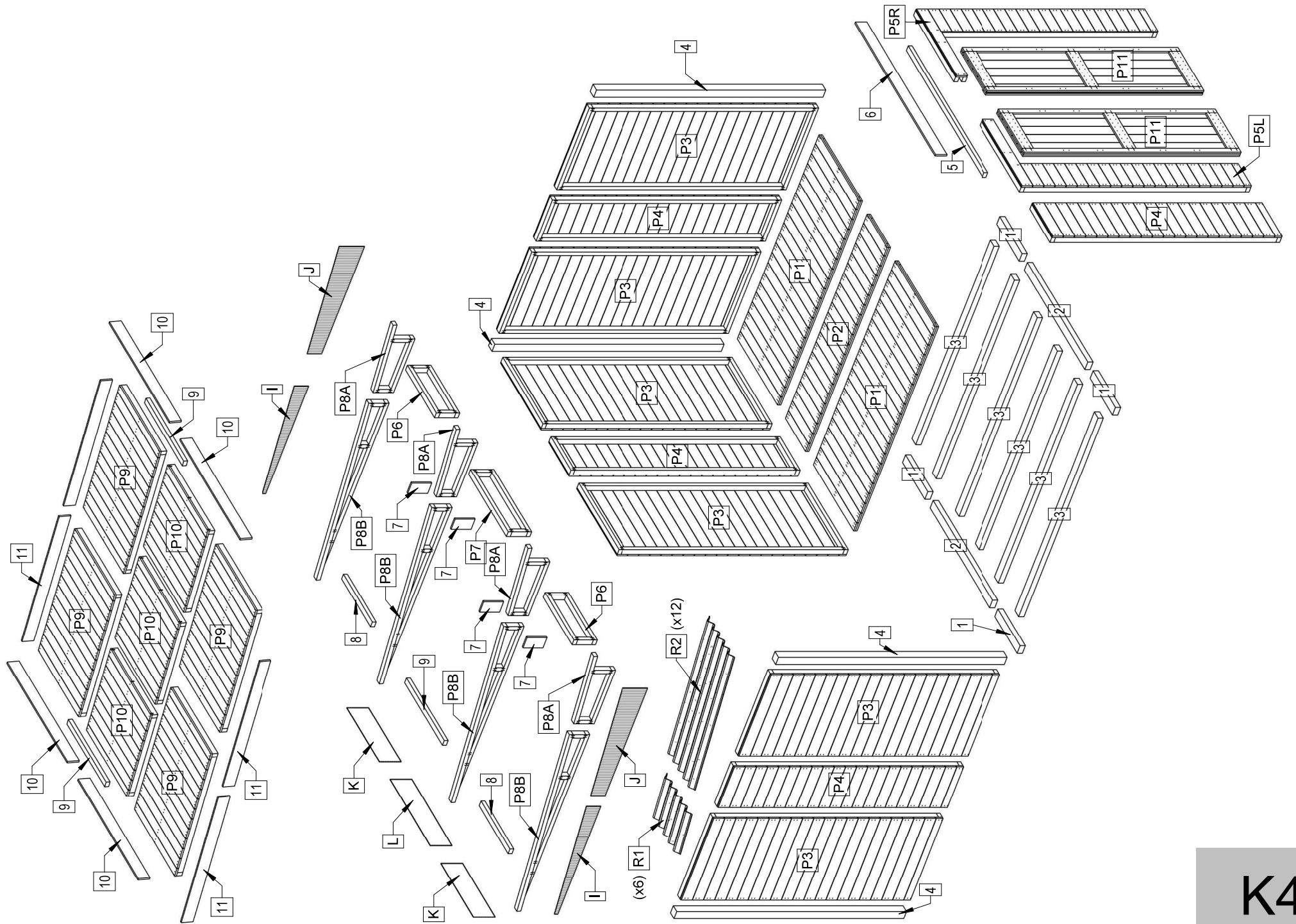
x16

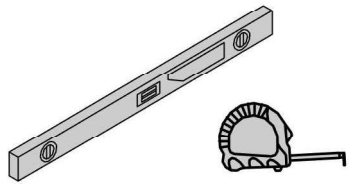
**F** M6x60 

x8

**G** Ø3x75 

x66

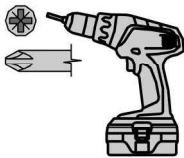




Ø3



+

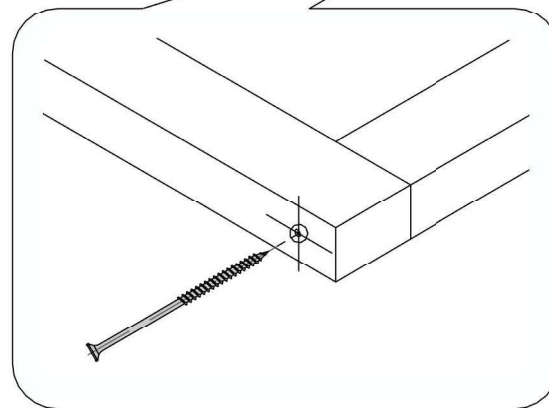
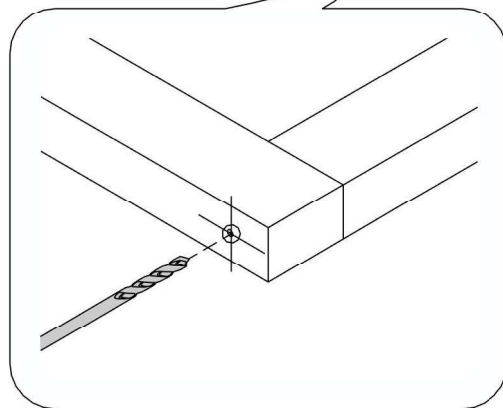
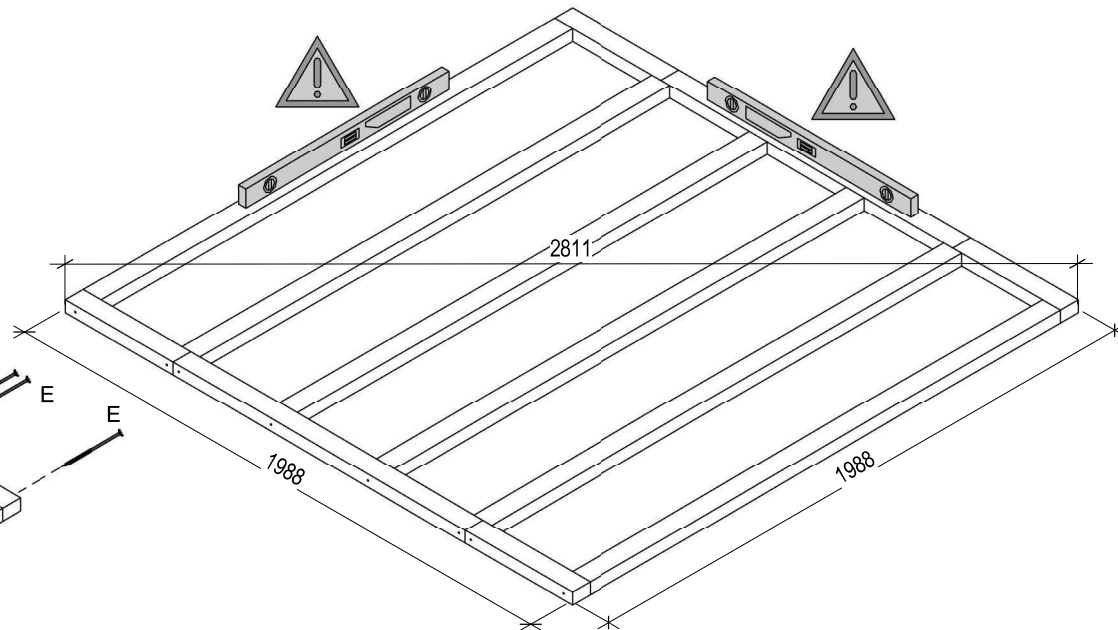
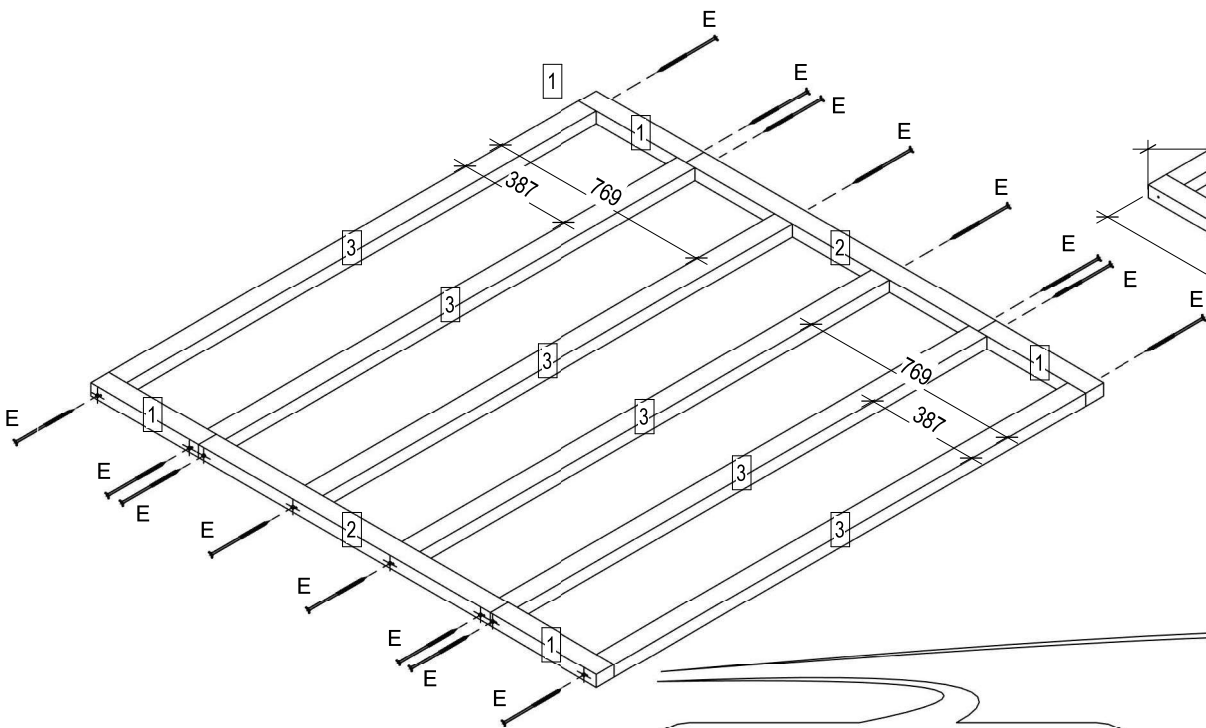


E

5x120

x16

**upyard™**

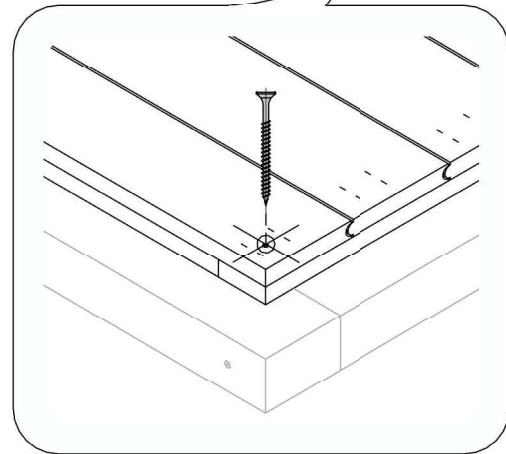
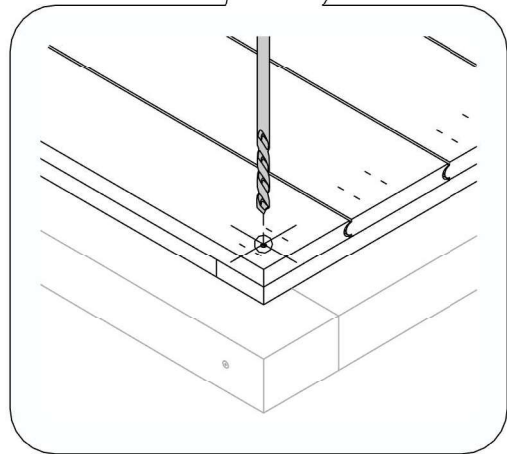
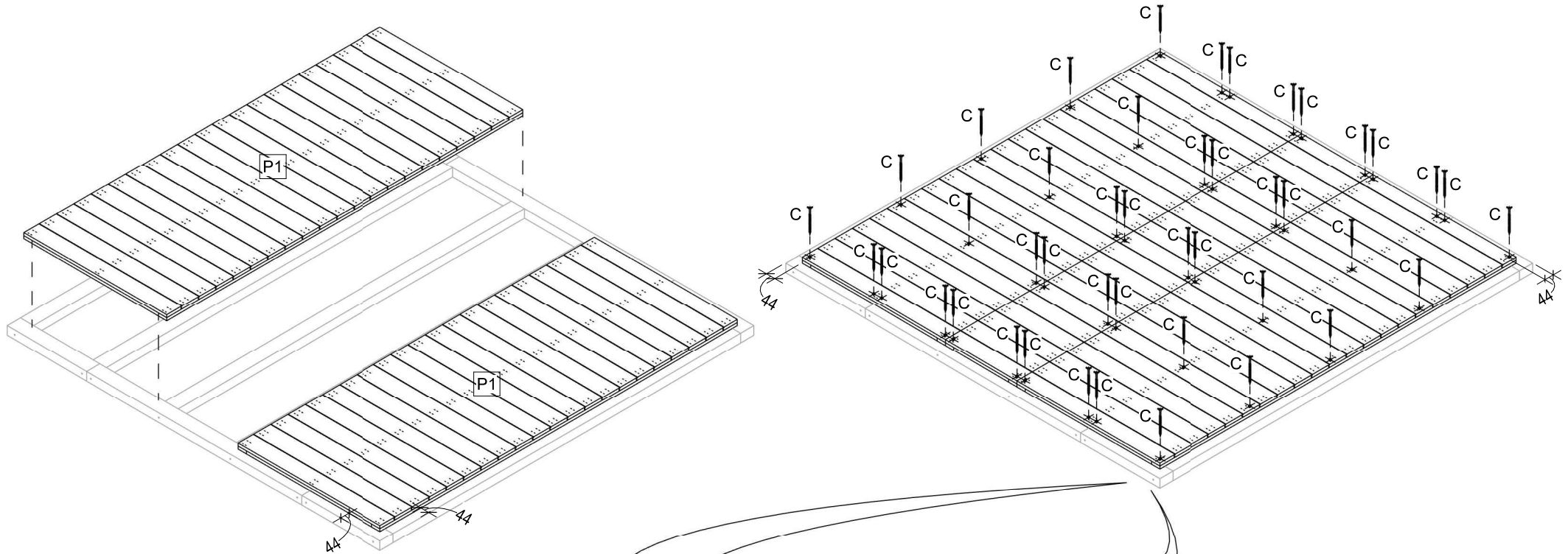


**K5**

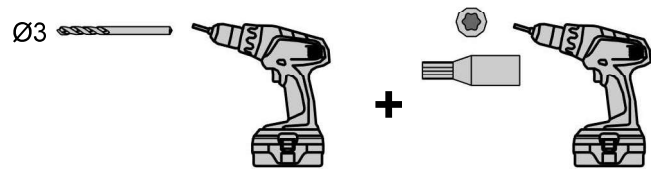


C 4x50 x44

upyard™

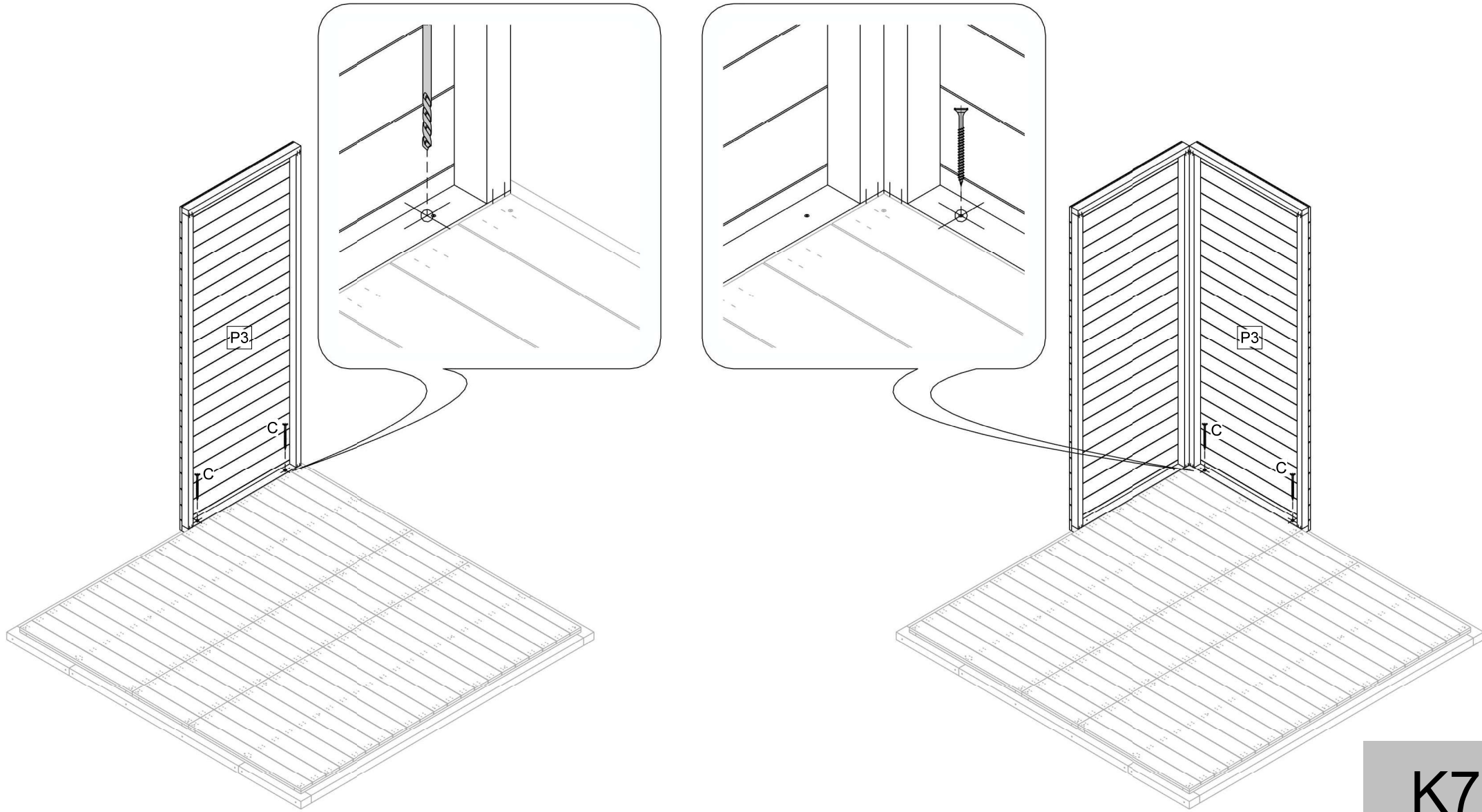


K6

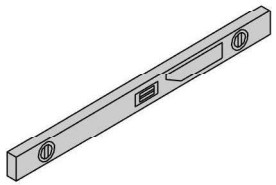


C  
4x50      x4

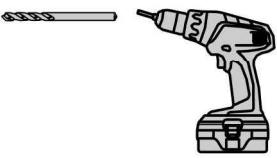
**upyard™**



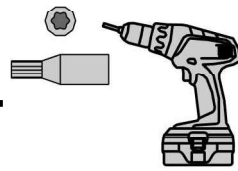
**K7**



Ø3



+



D

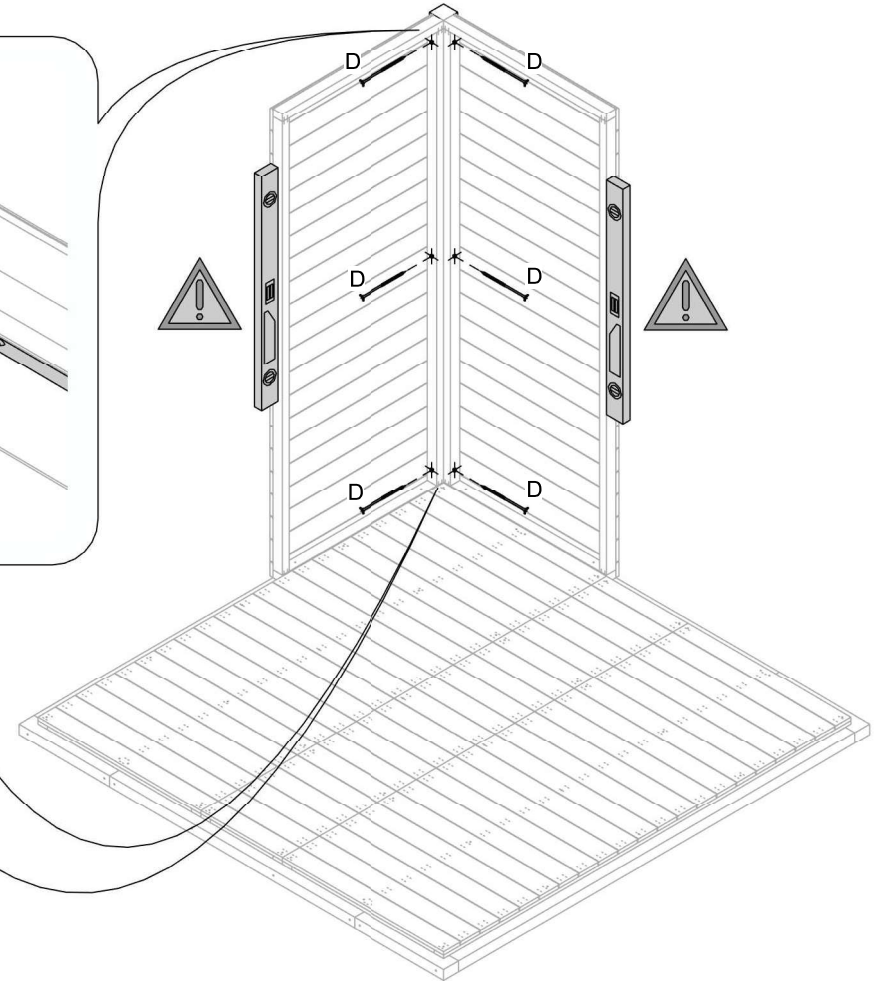
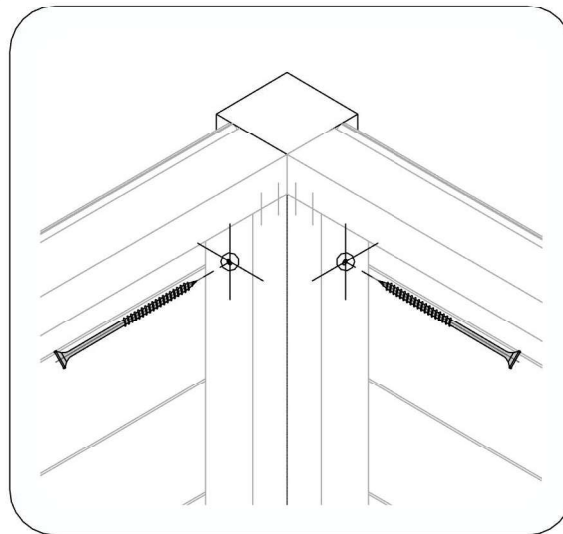
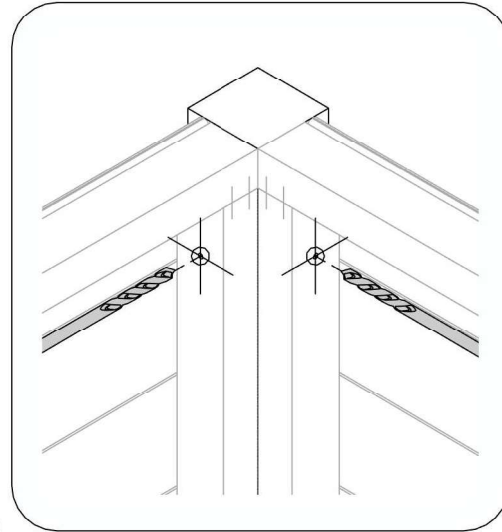
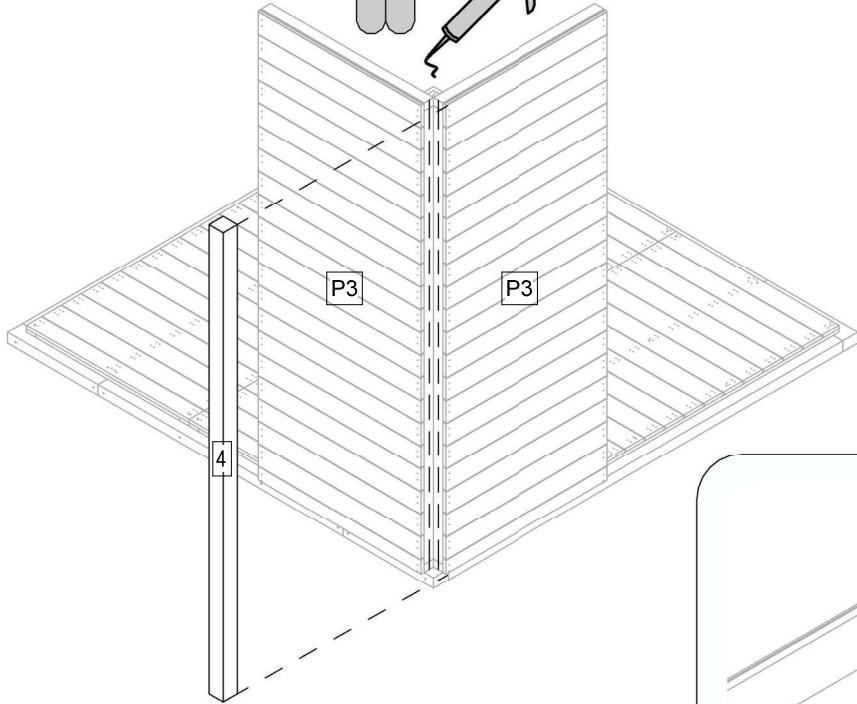
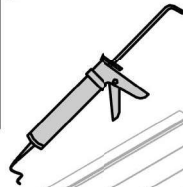
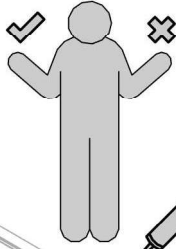
5x70



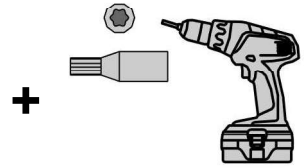
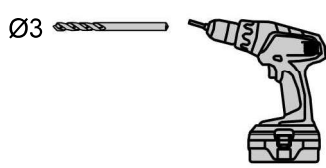
x6

**upyard™**

OPTIONAL



**K8**

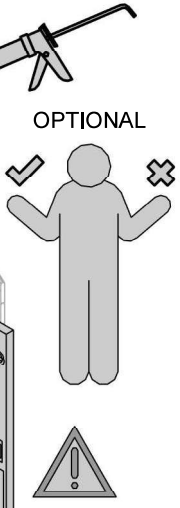
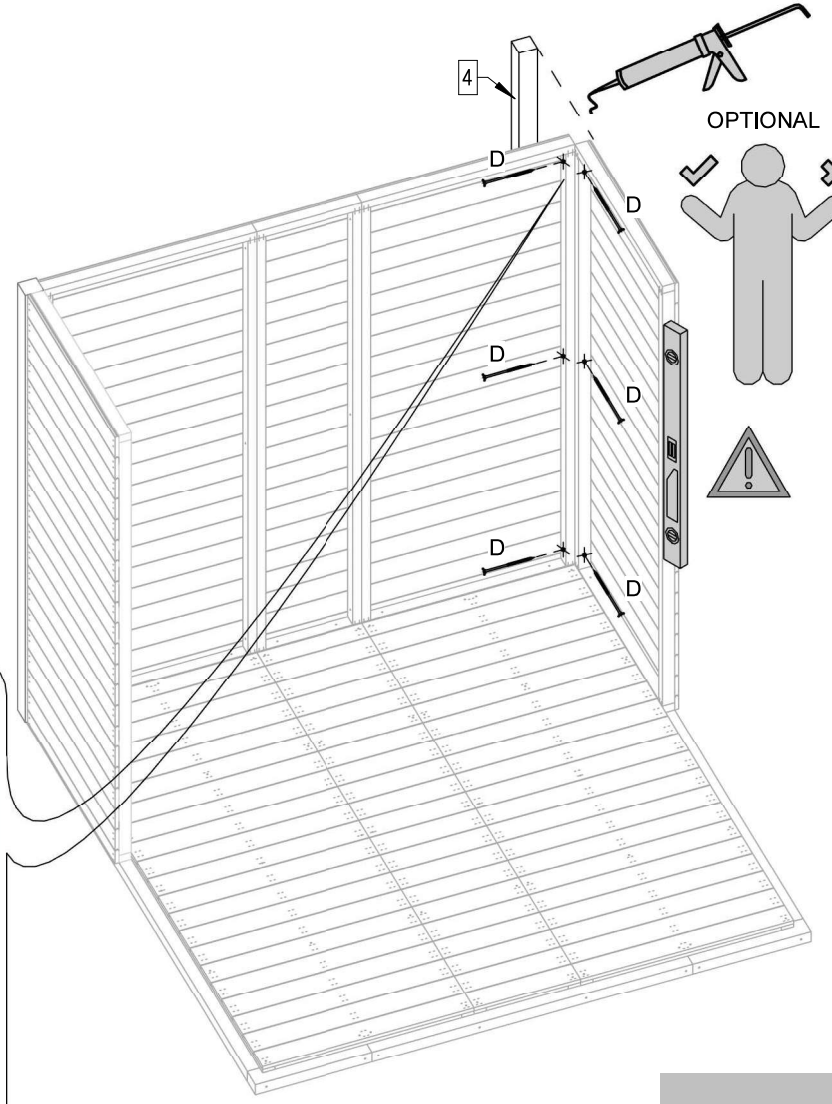
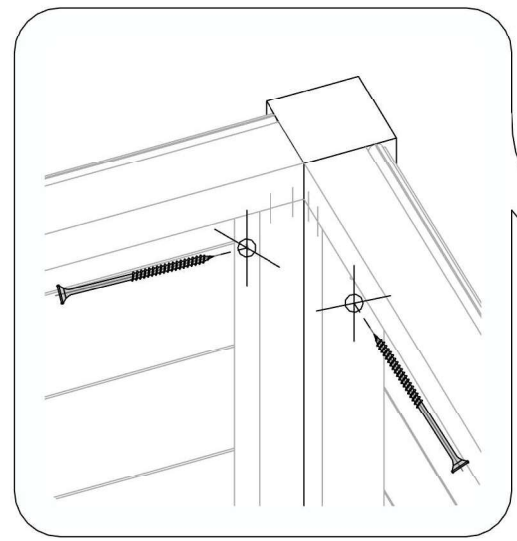
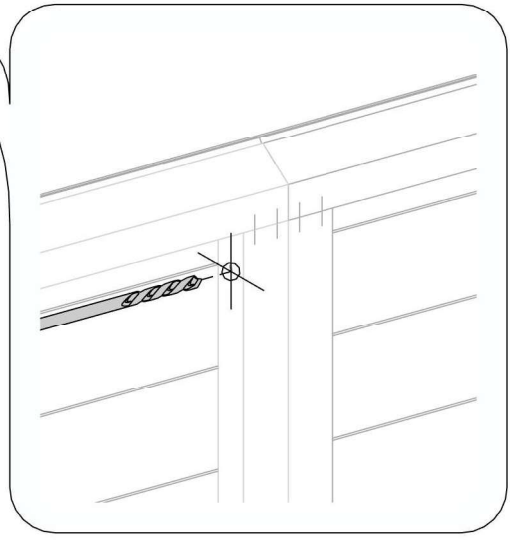
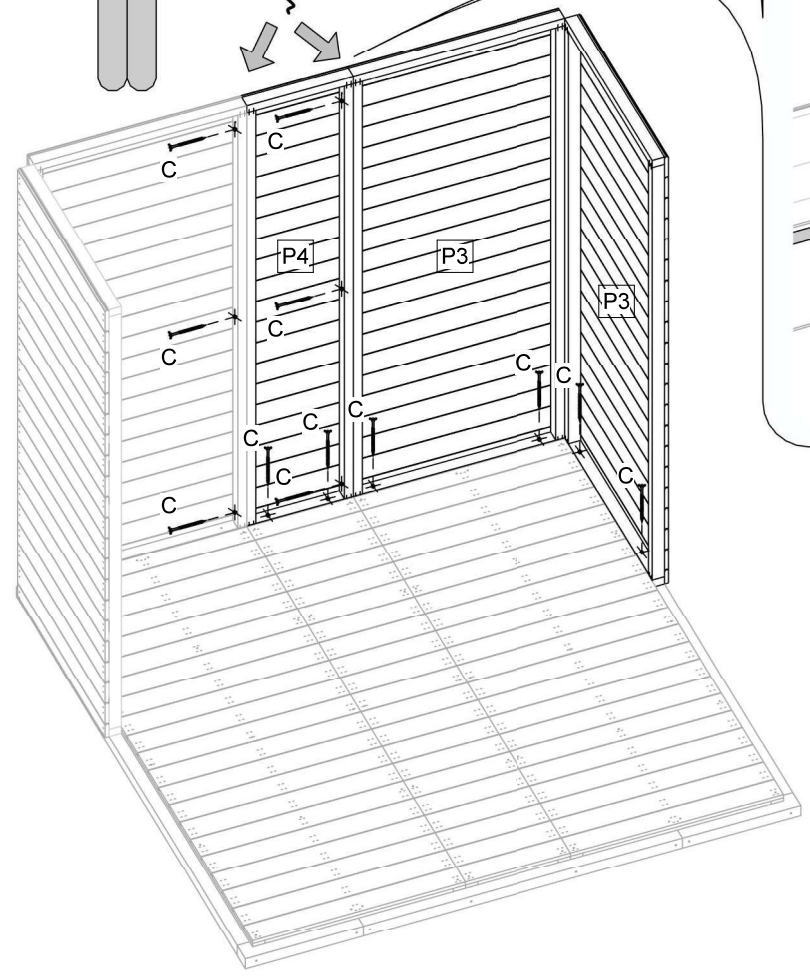
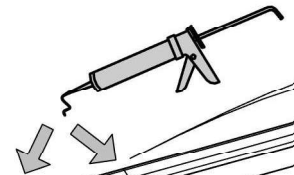
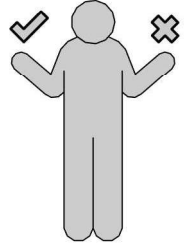


C 4x50 x12

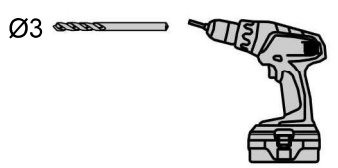
D 4x70 x6

upyard™

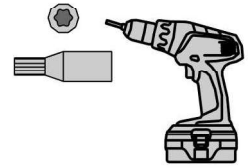
OPTIONAL



K9



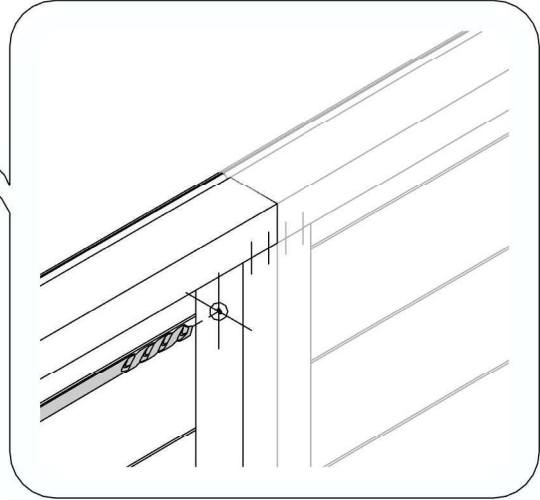
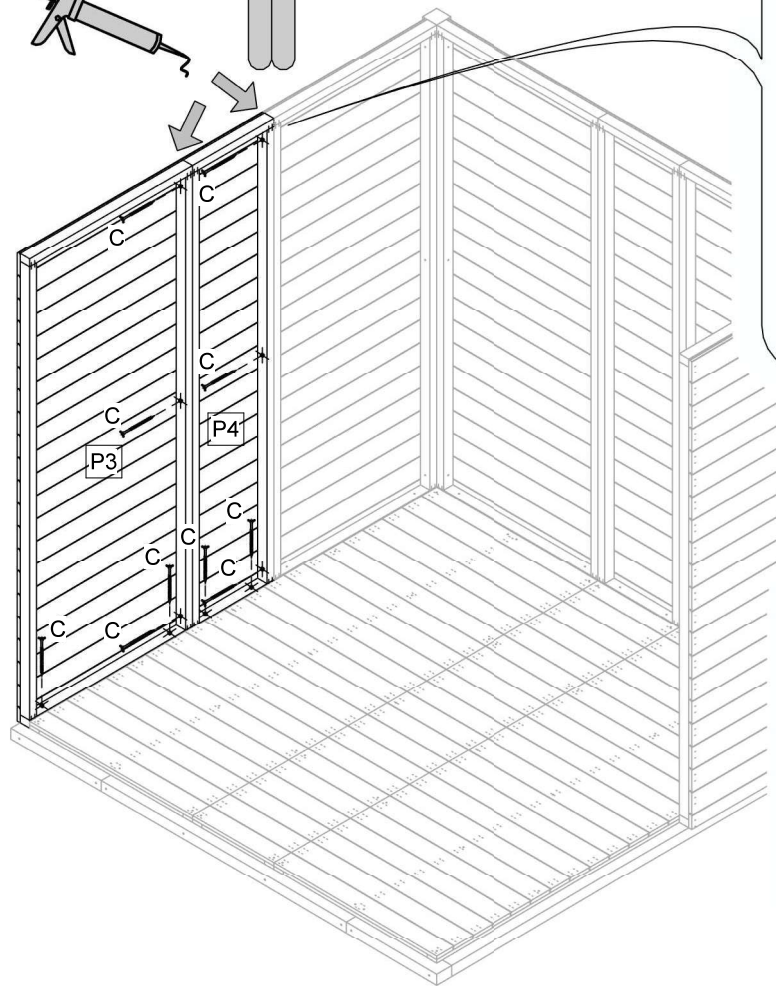
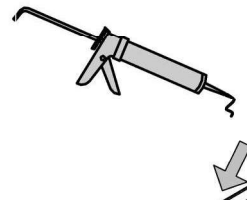
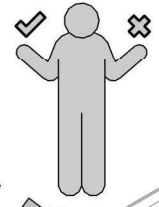
+



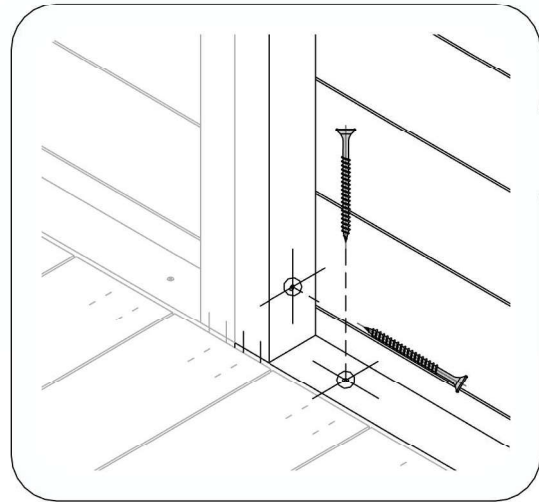
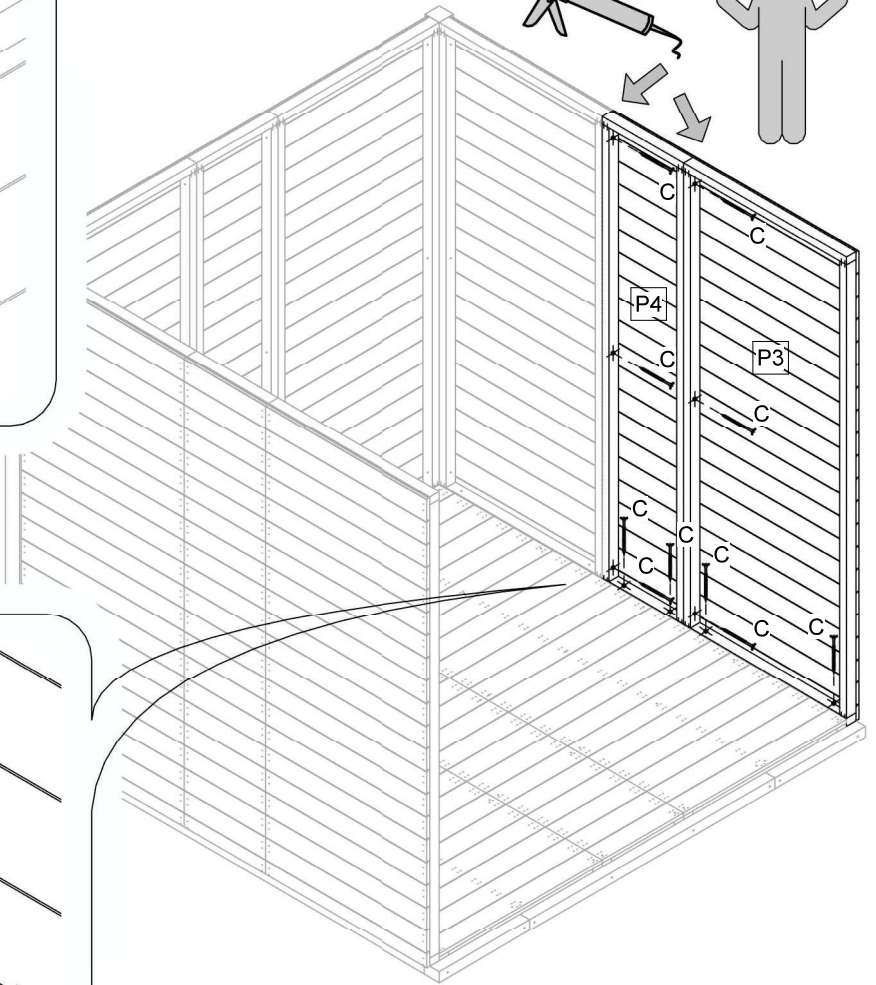
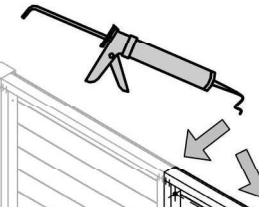
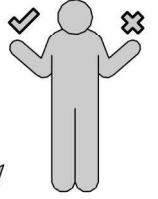
$\varnothing C$   
4x50 x20

**upyard™**

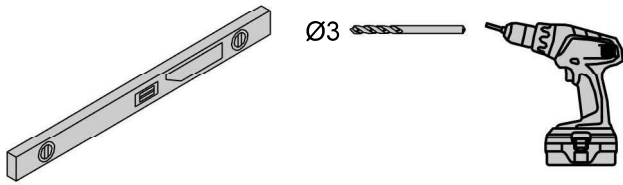
OPTIONAL



OPTIONAL

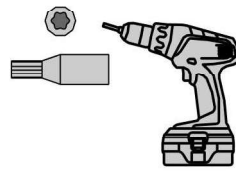


**K10**



Ø3

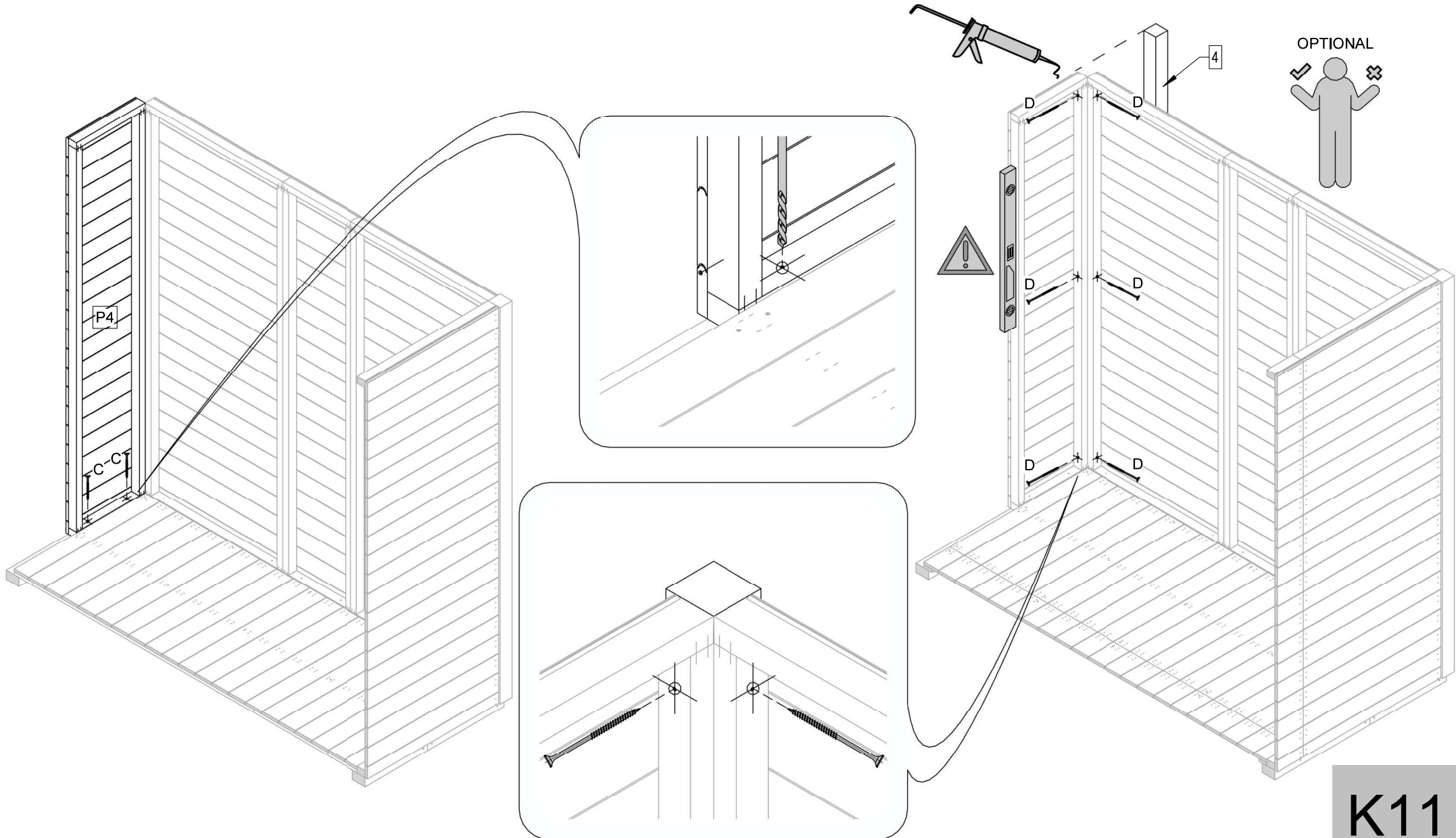
+



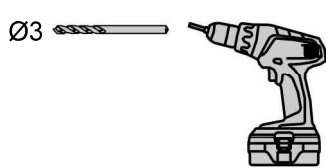
C  
4x50 x2

D  
5x70 x6

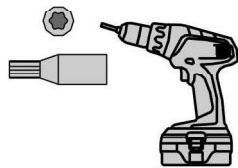
**upyard™**





**K11**



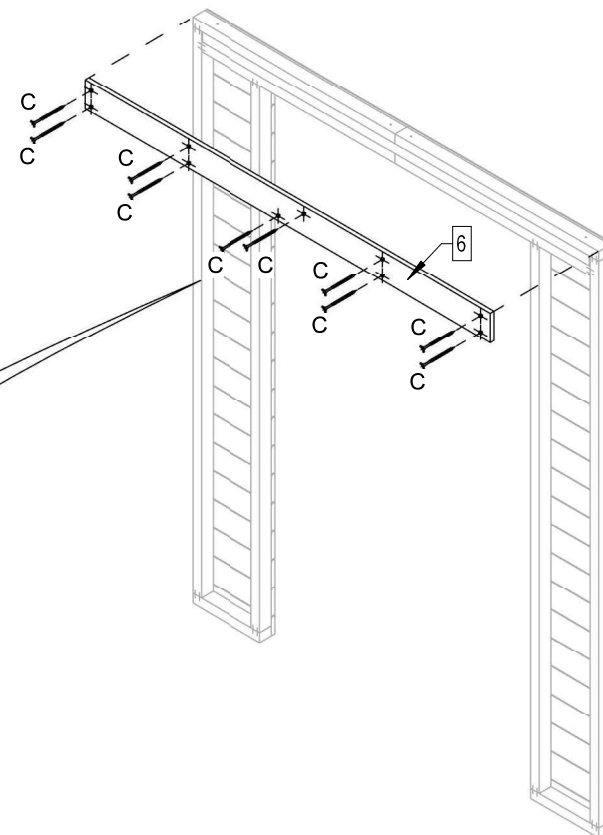
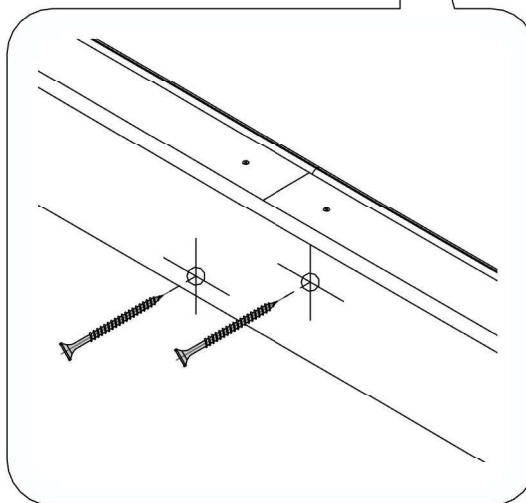
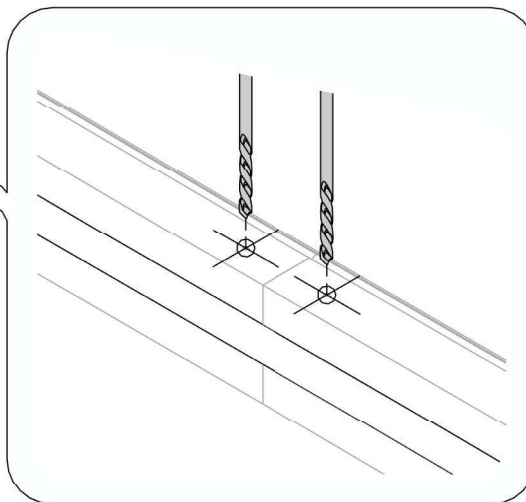
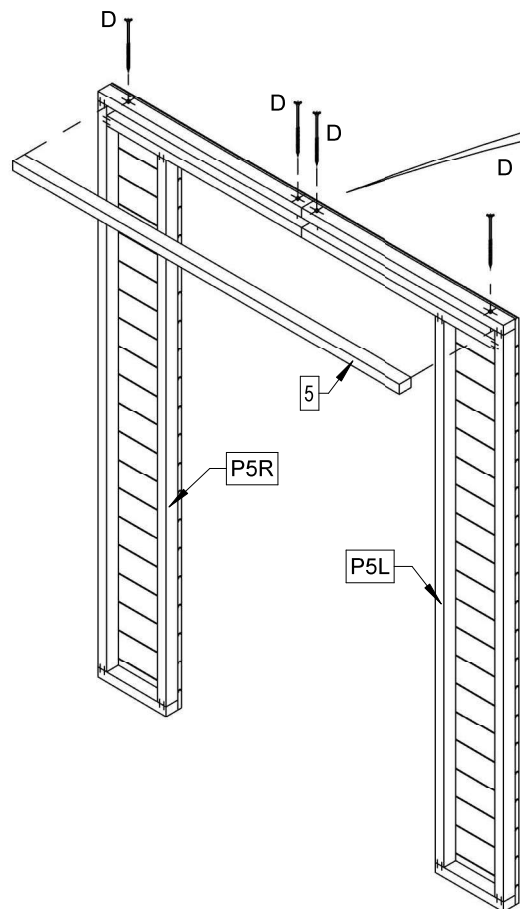
+



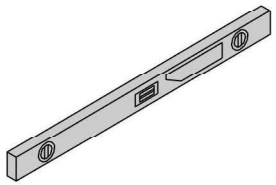
C  4x50 x10

D  5x70 x4

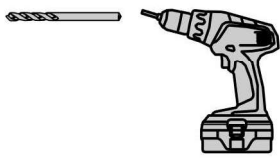
**upyard™**



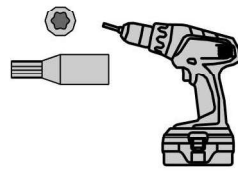
**K12**



Ø3



+

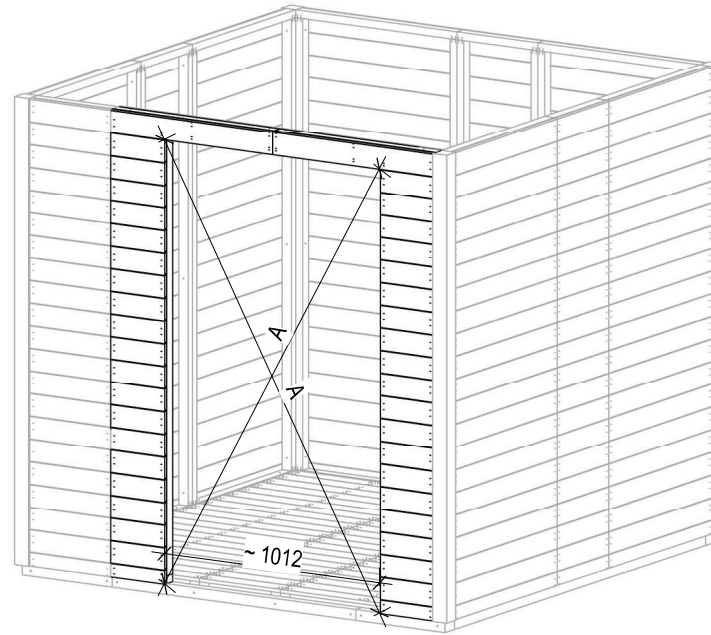
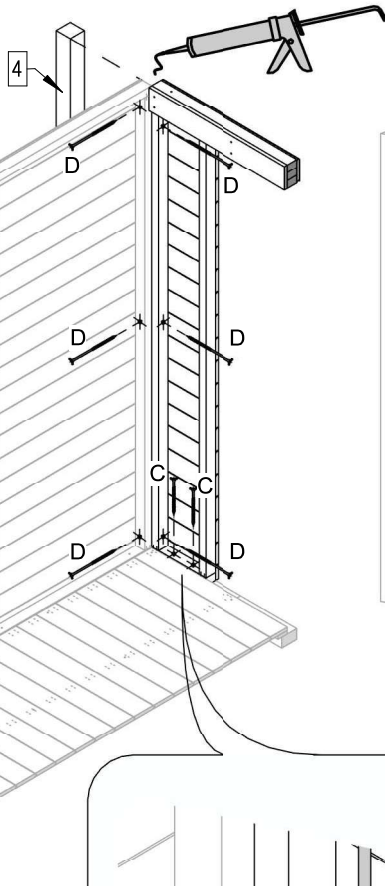


C 4x50 x7

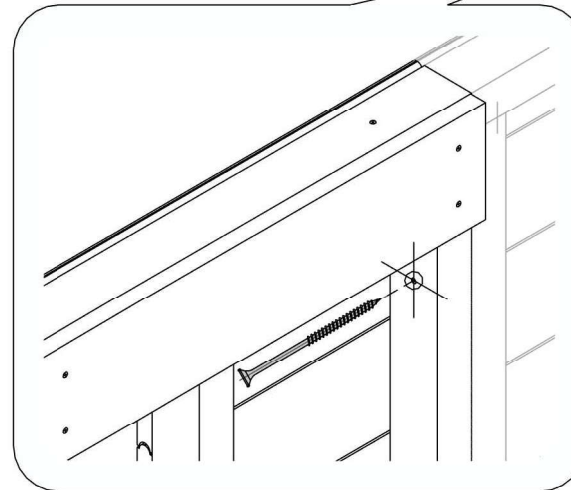
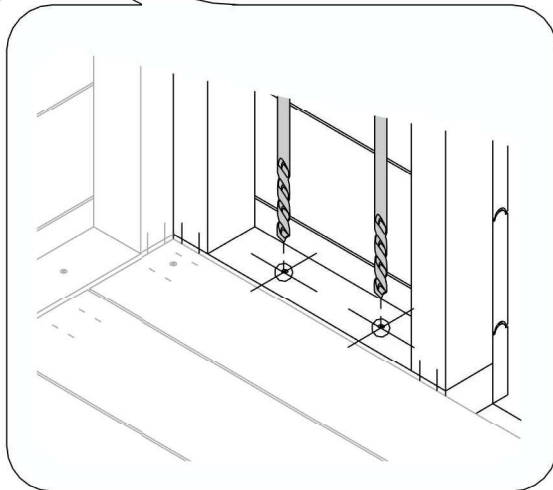
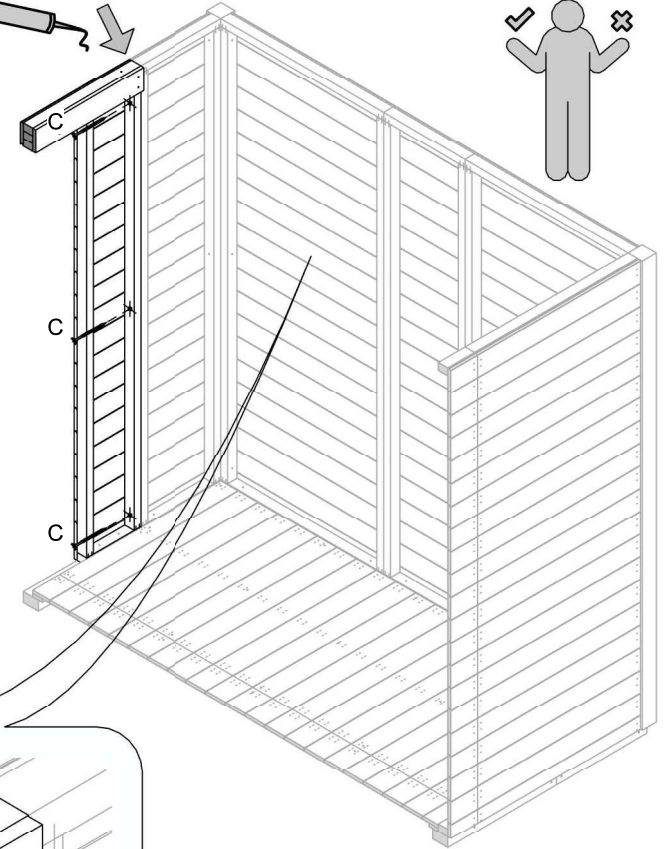
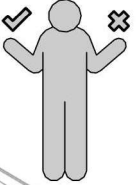
D 5x70 x6

upyard™

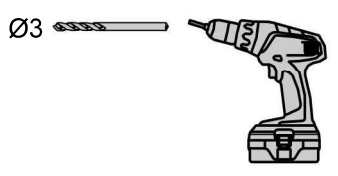
OPTIONAL



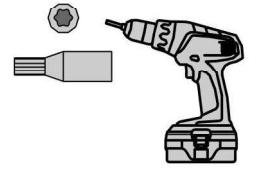
OPTIONAL



K13

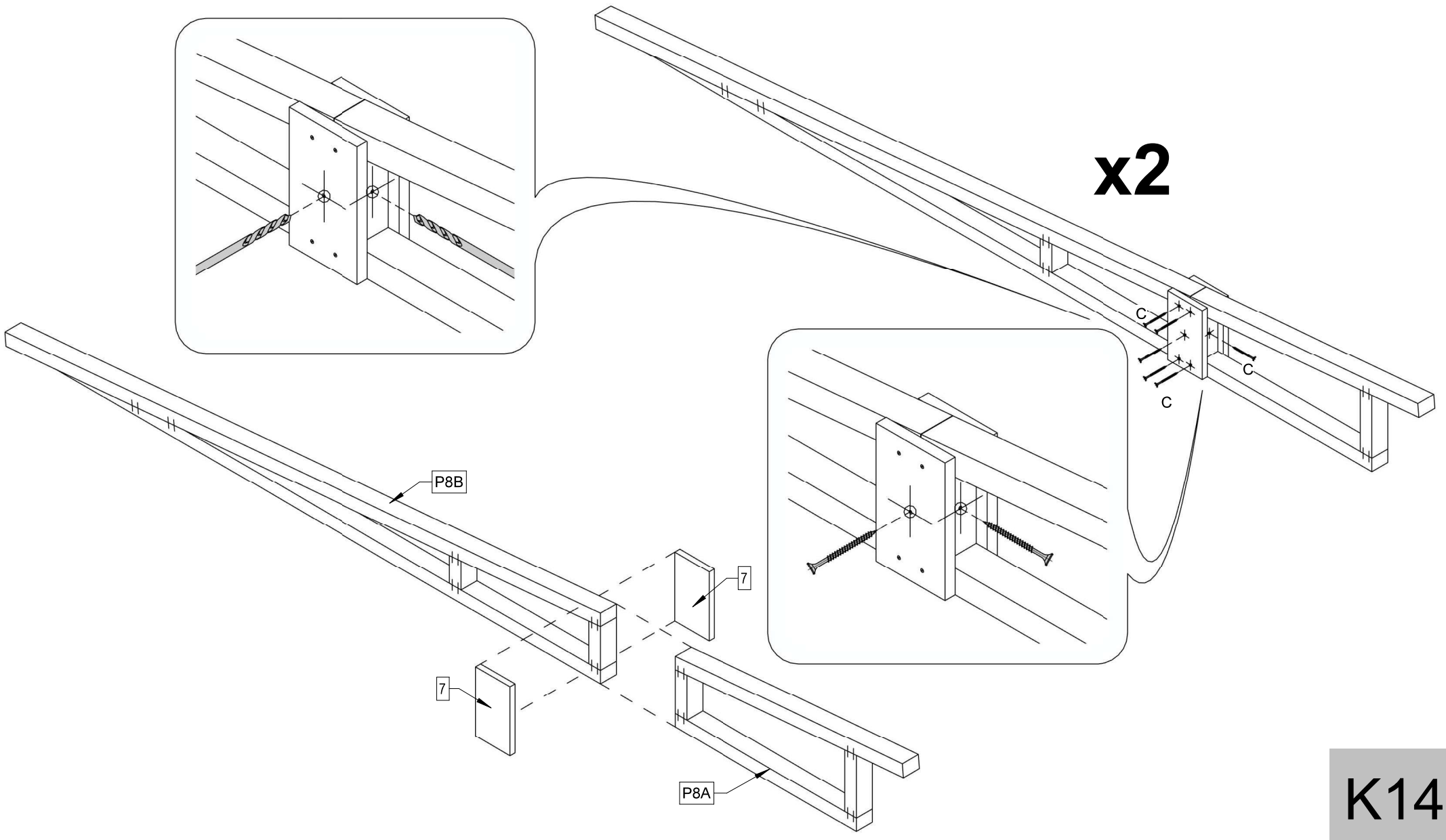


+



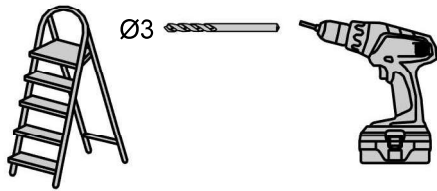
C  
4x50 x22

**upyard™**

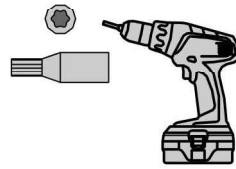


**K14**





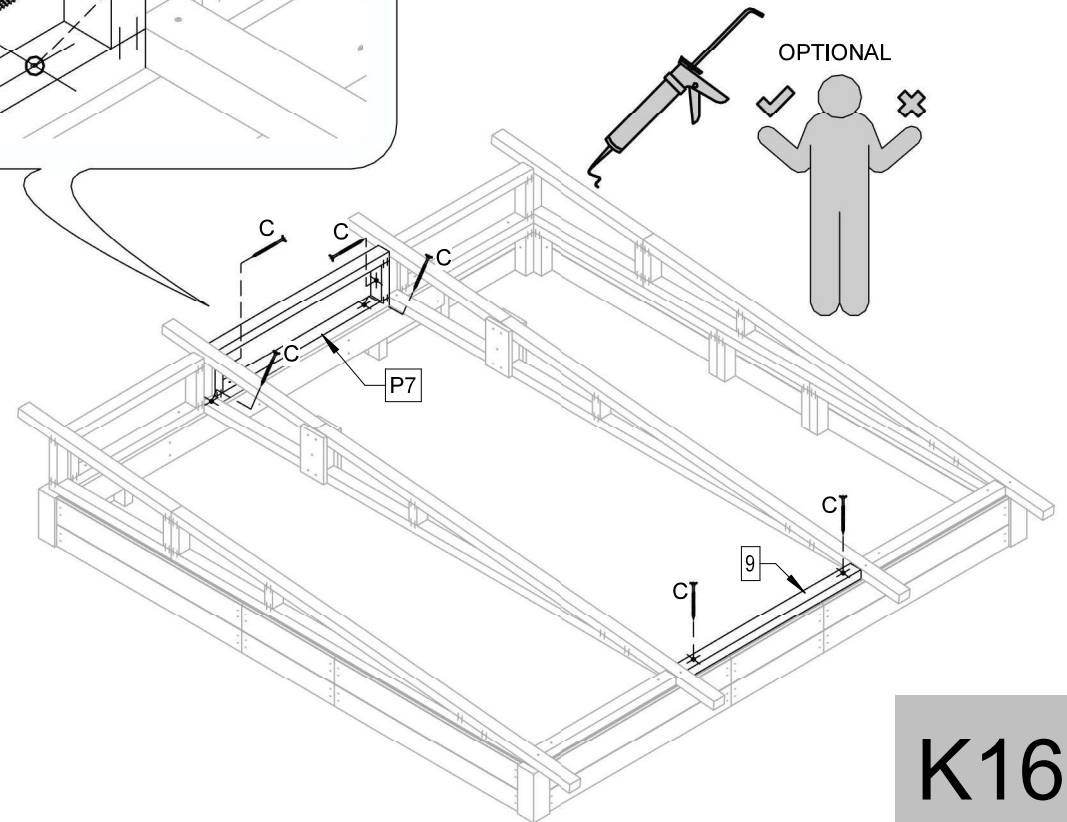
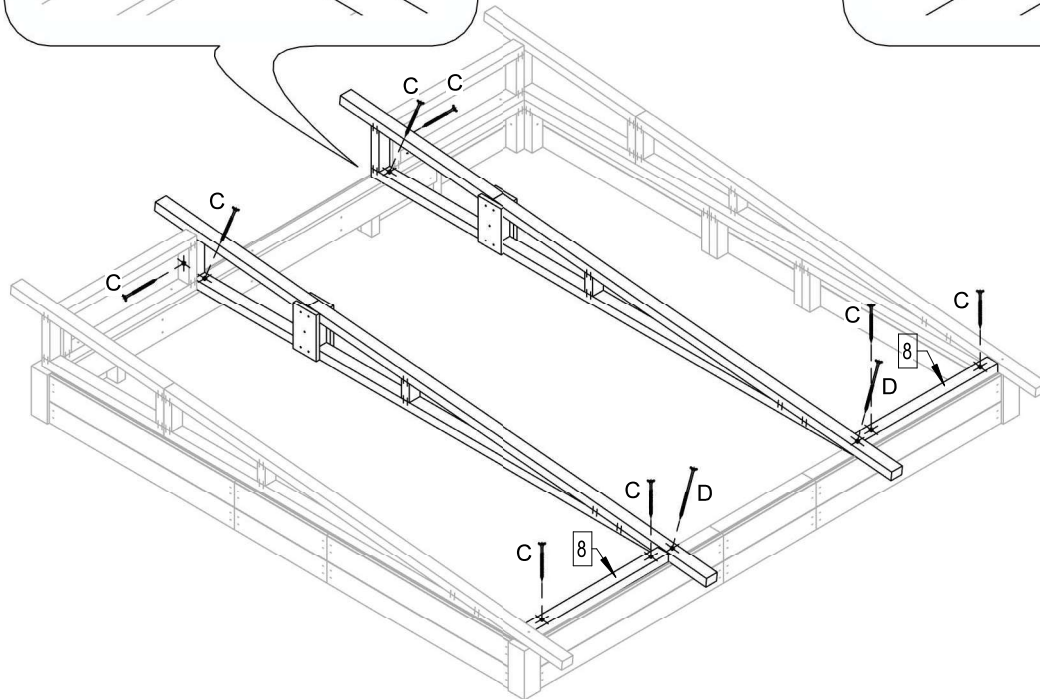
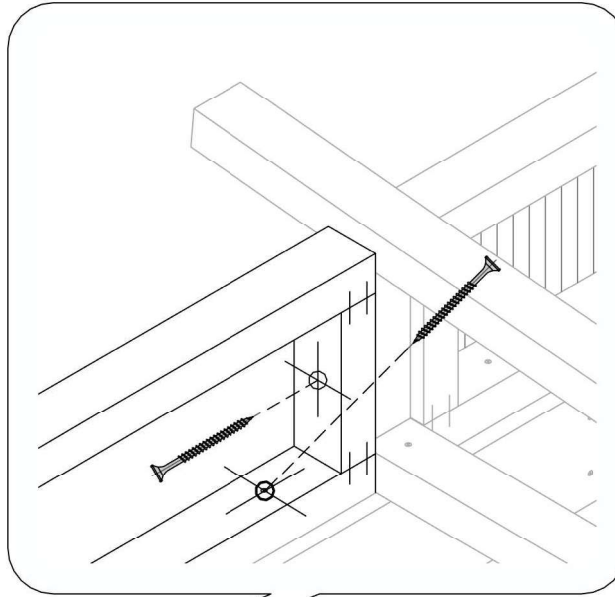
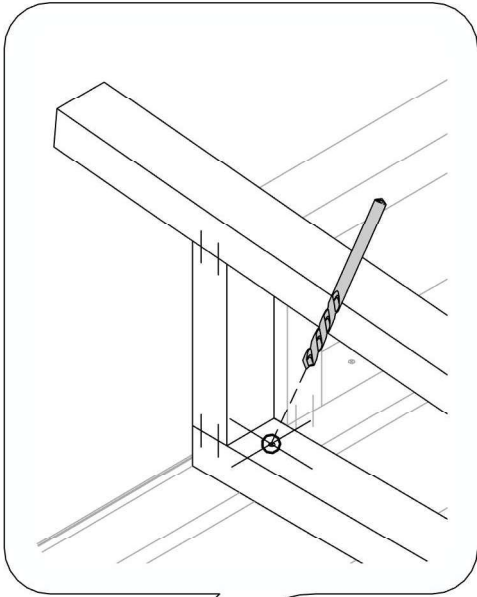
+



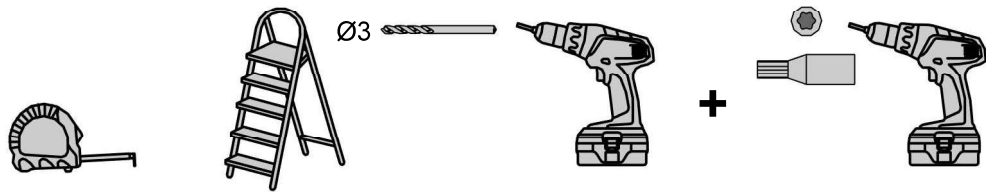
C  x14  
4x50

D  x2  
5x70

**upyard™**

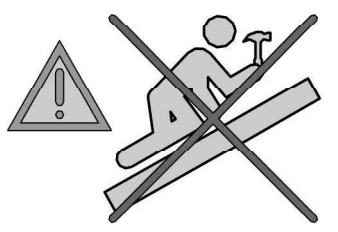
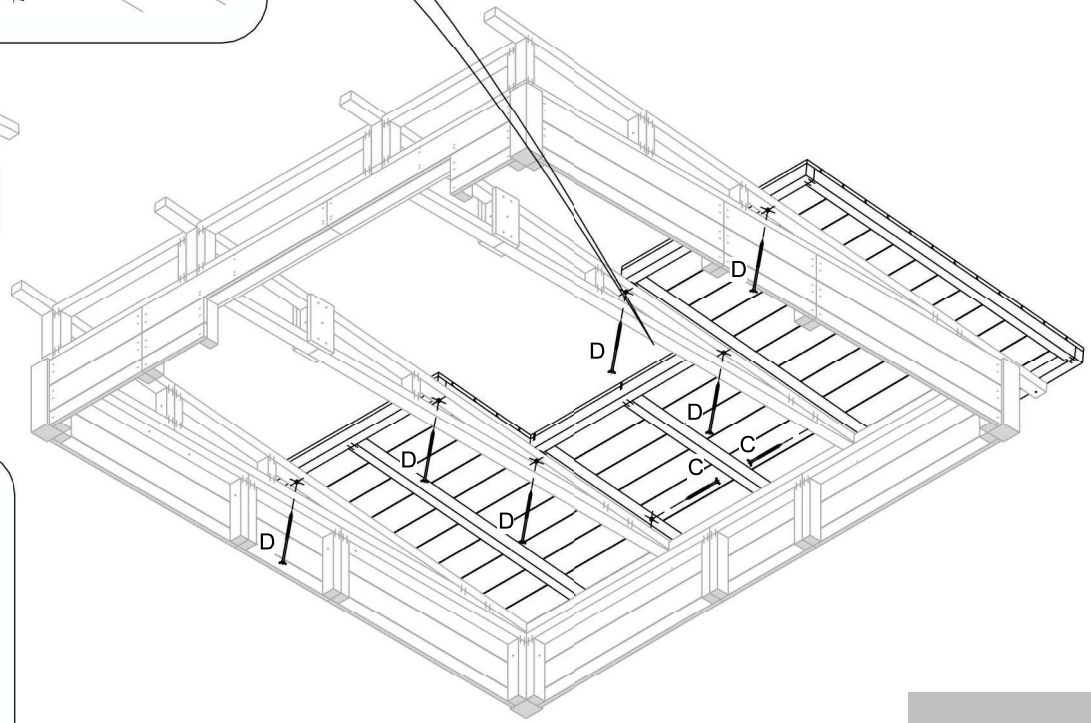
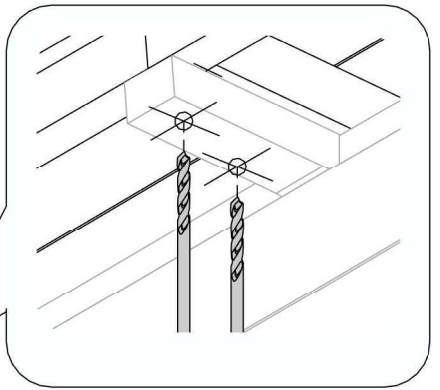
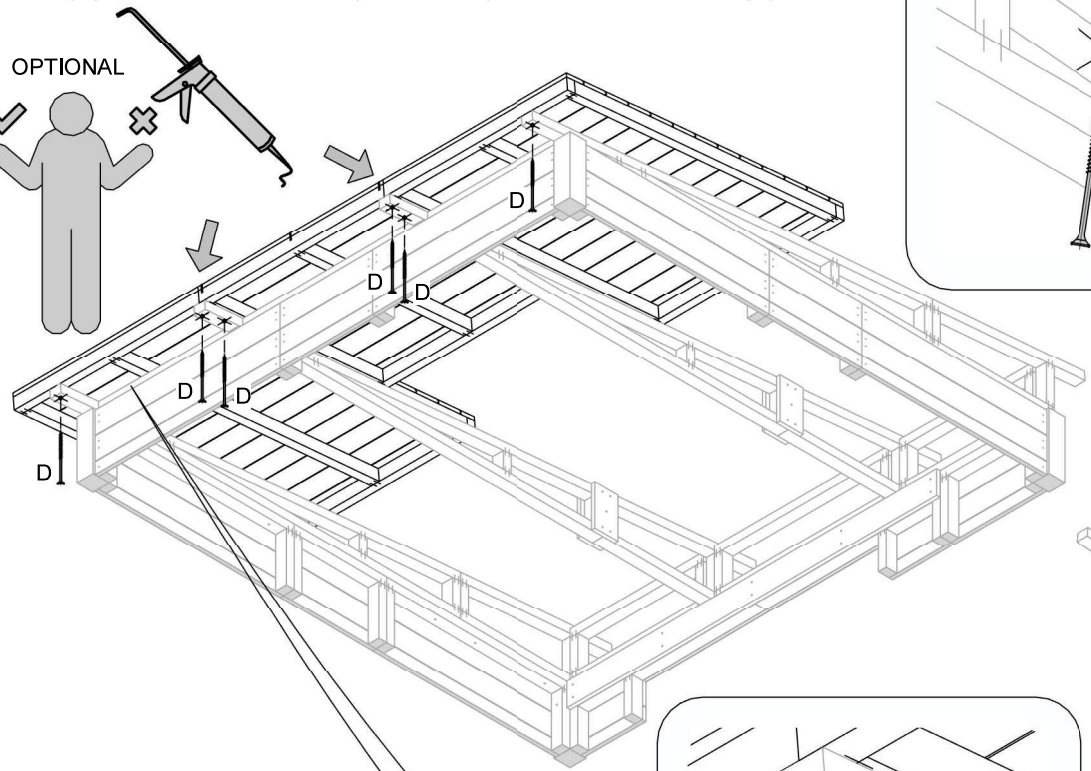
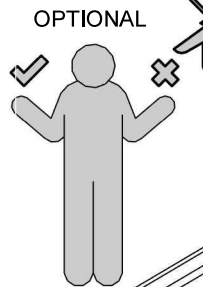
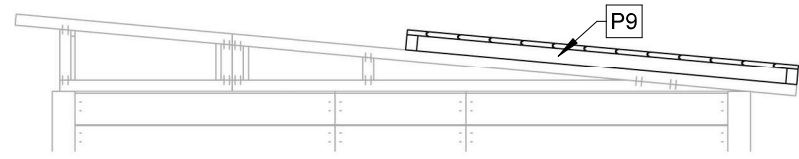
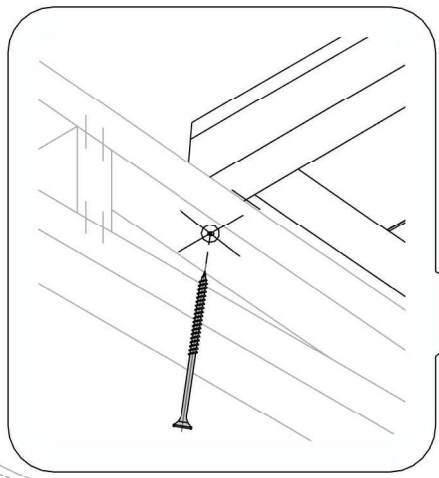
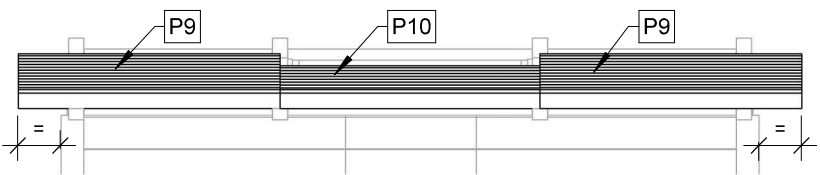


**K16**

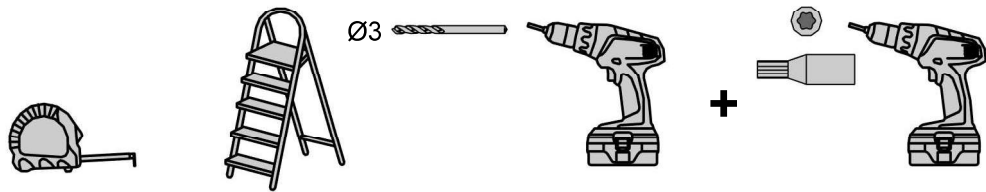


- C** 4x50 x2
- D** 5x70 x12

**upyard™**

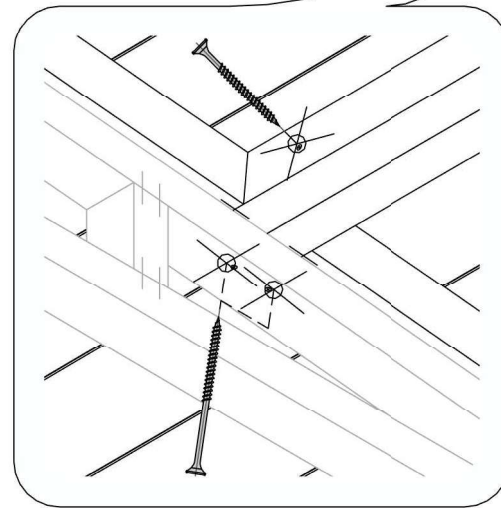
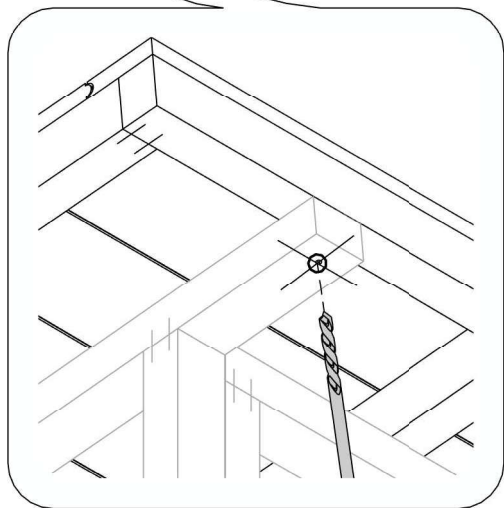
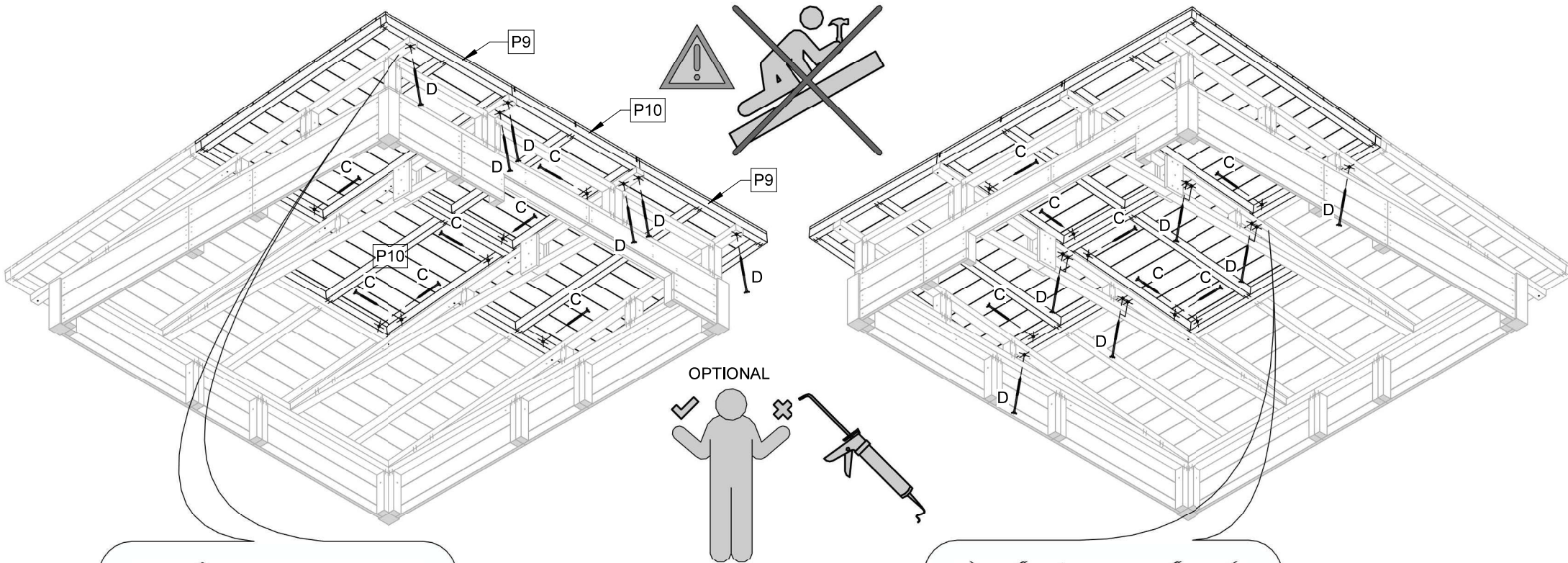


**K17**



- C** 4x50 x12
- D** 5x70 x16

**upyard™**



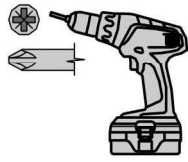
**K18**



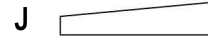
Ø3



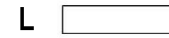
+



Ø4.5x45(PC) x34



x2



x1

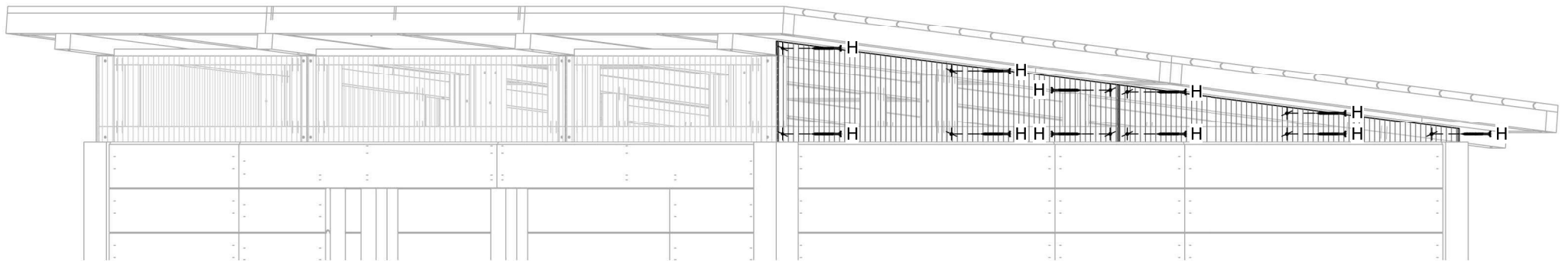
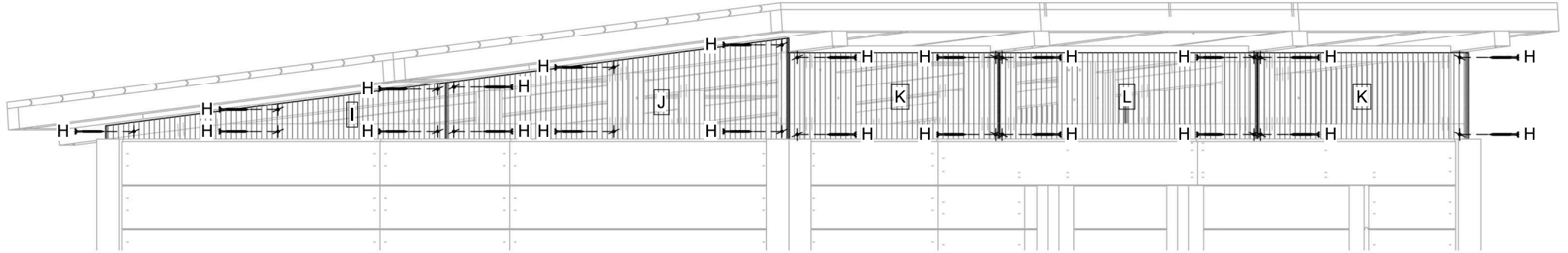


x2

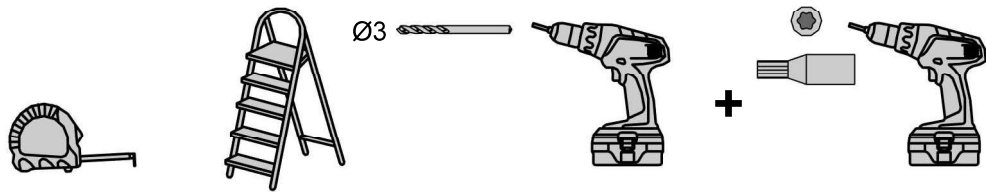


x2

**upyard™**

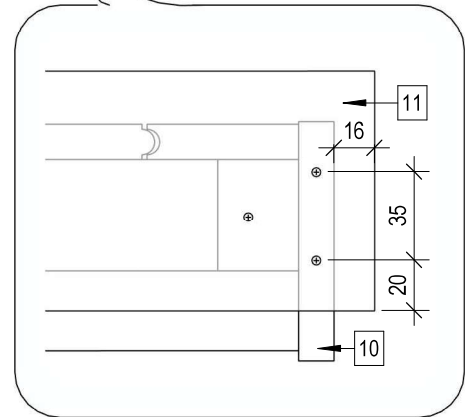
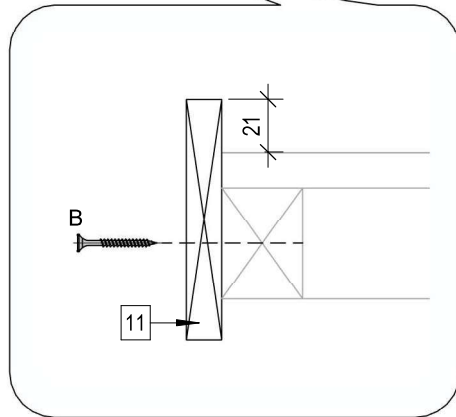
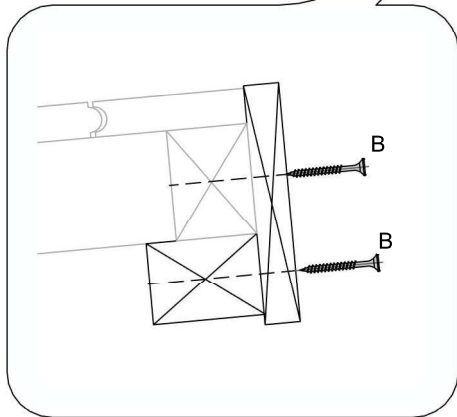
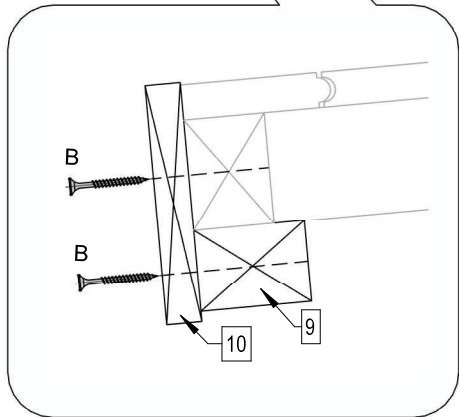
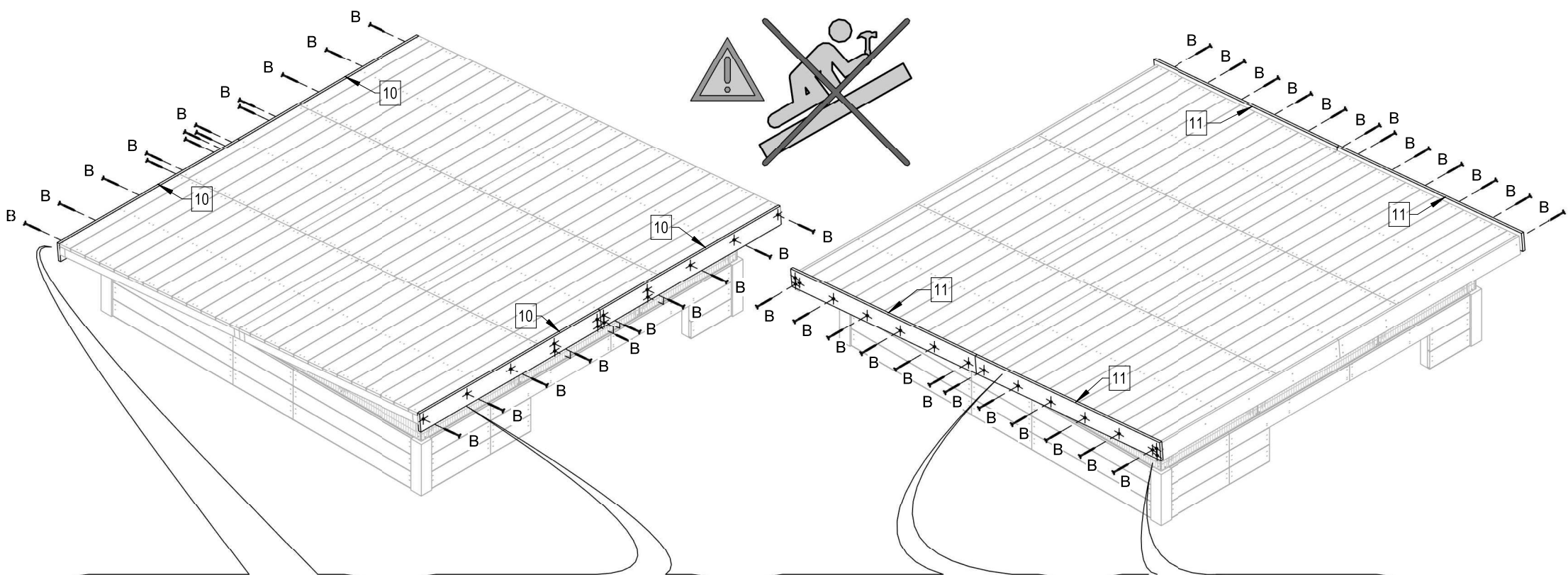


**K19**

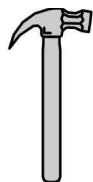
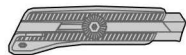


B 3.5x35 x60

upyard™

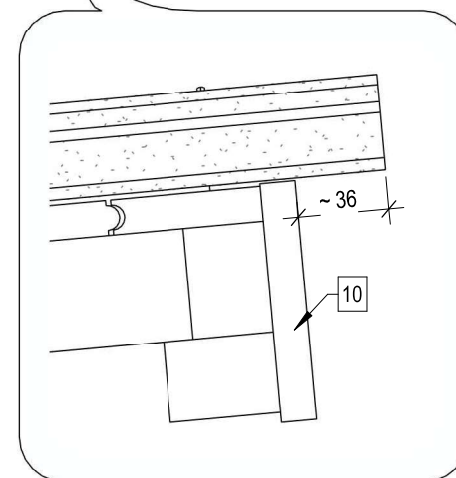
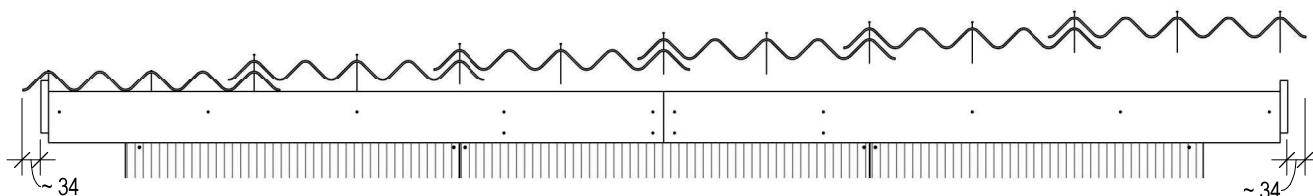
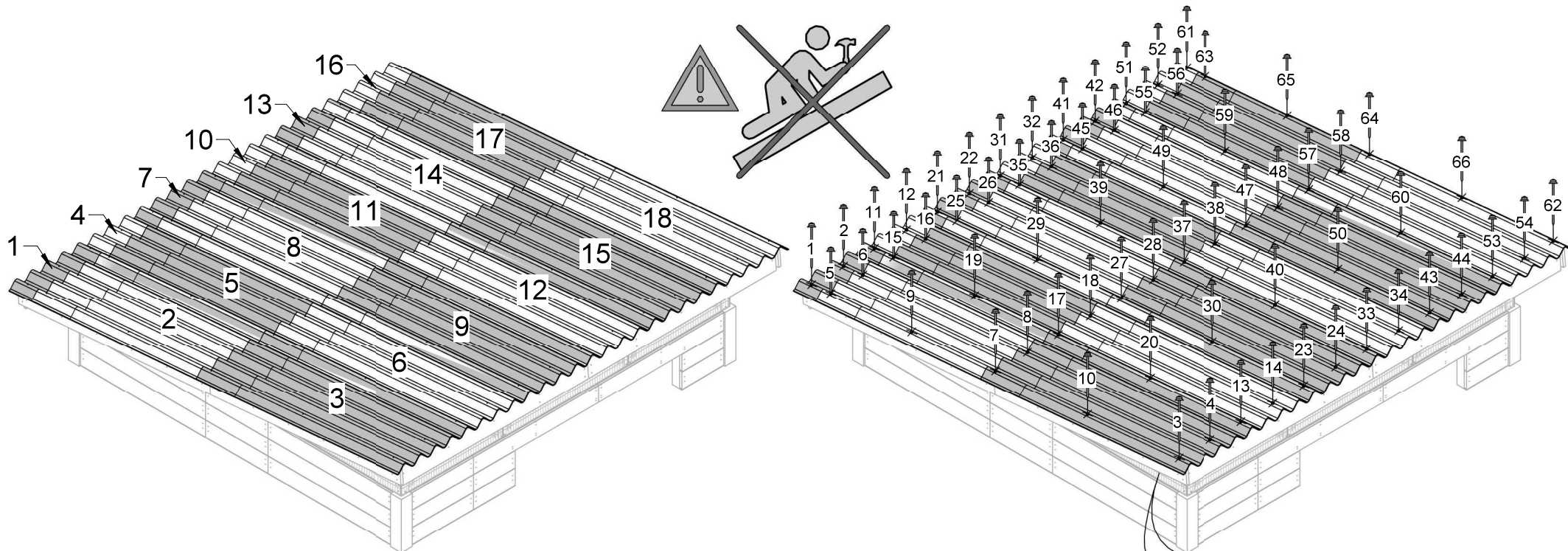


K20

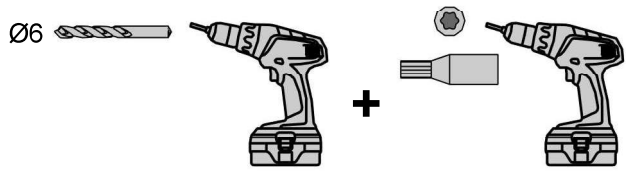


G 3x75 x66

upyard™



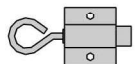
K21



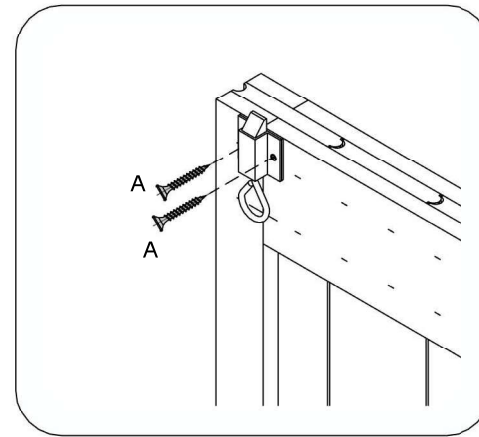
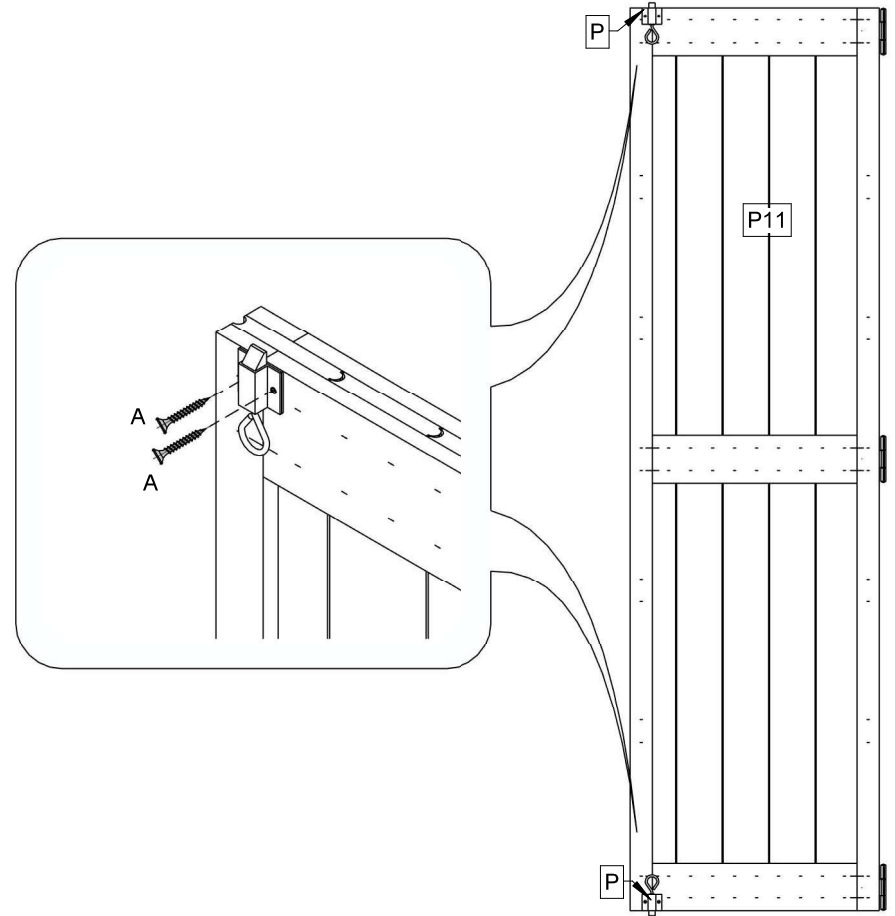
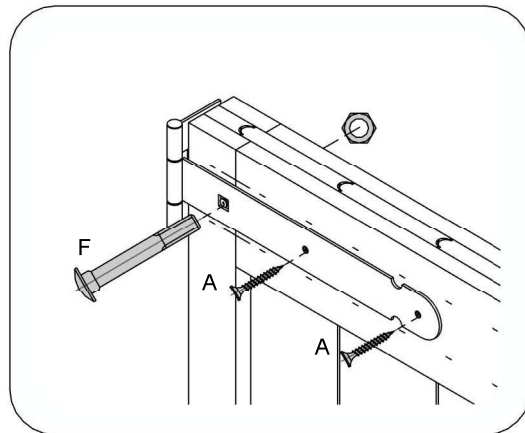
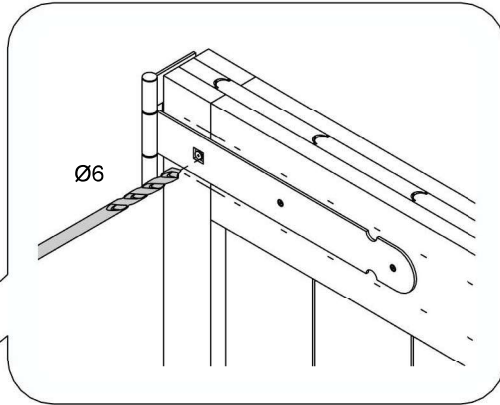
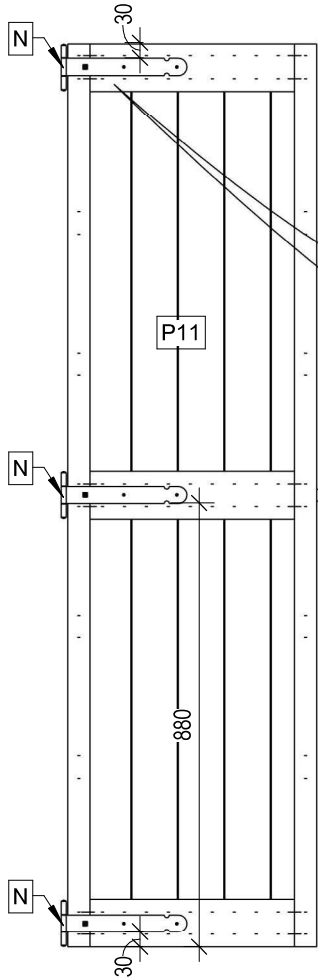
A  3.5x25 x16

F  M6x60 x6

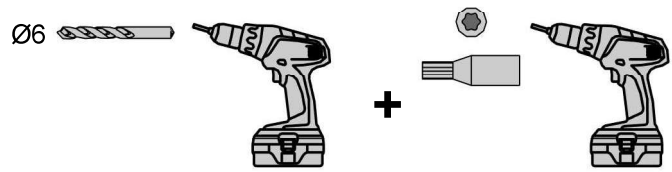
O  x6



Q  x2

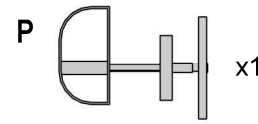
**upyard™**



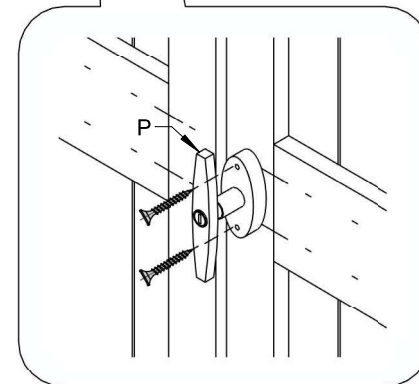
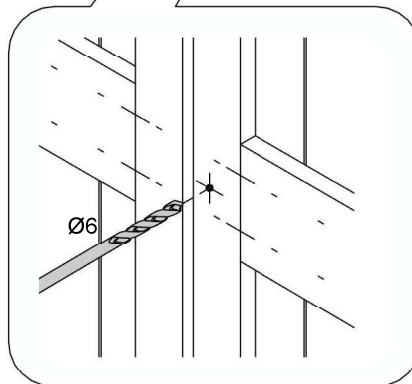
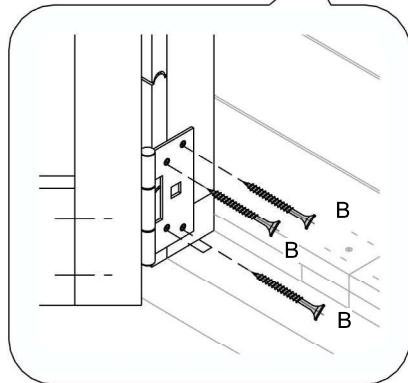
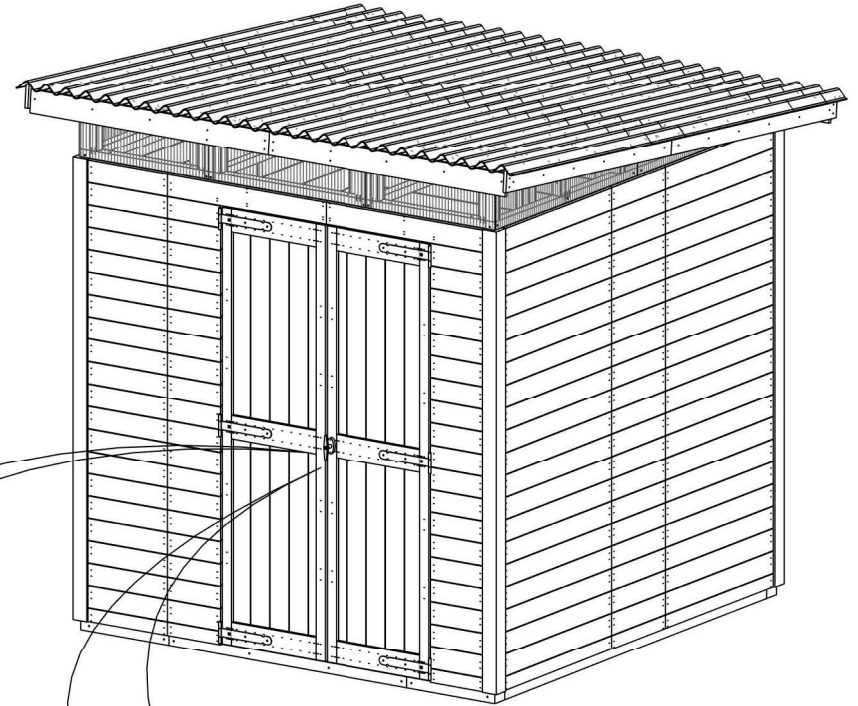
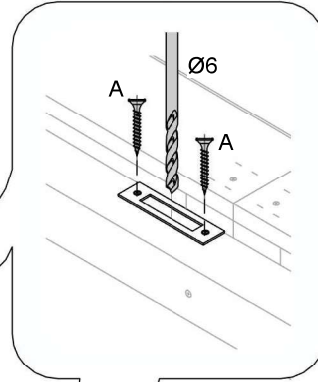
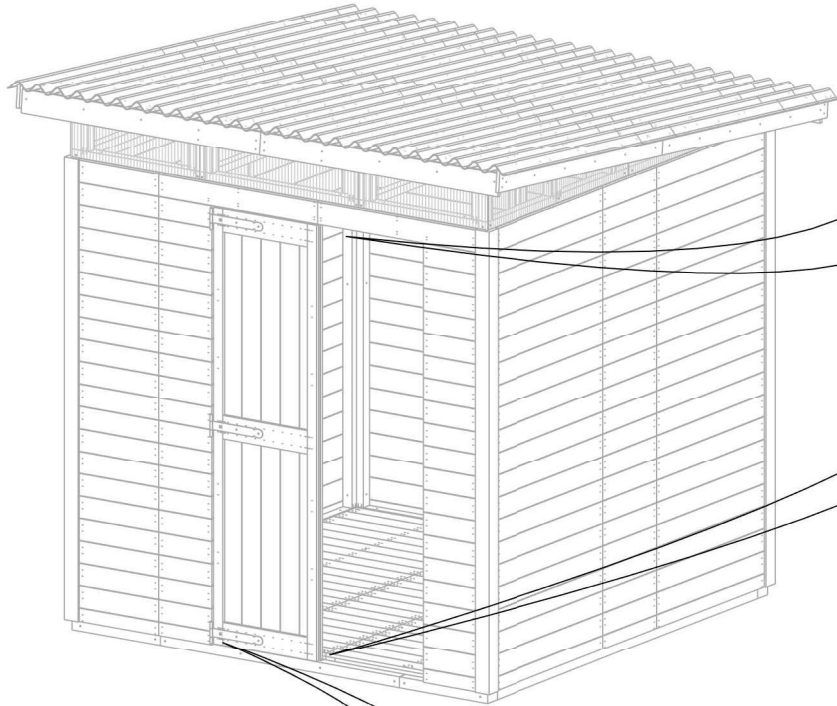
**K22**



A  3.5x25 x4  
B  3.5x35 x24



**upyard™**



**K23**