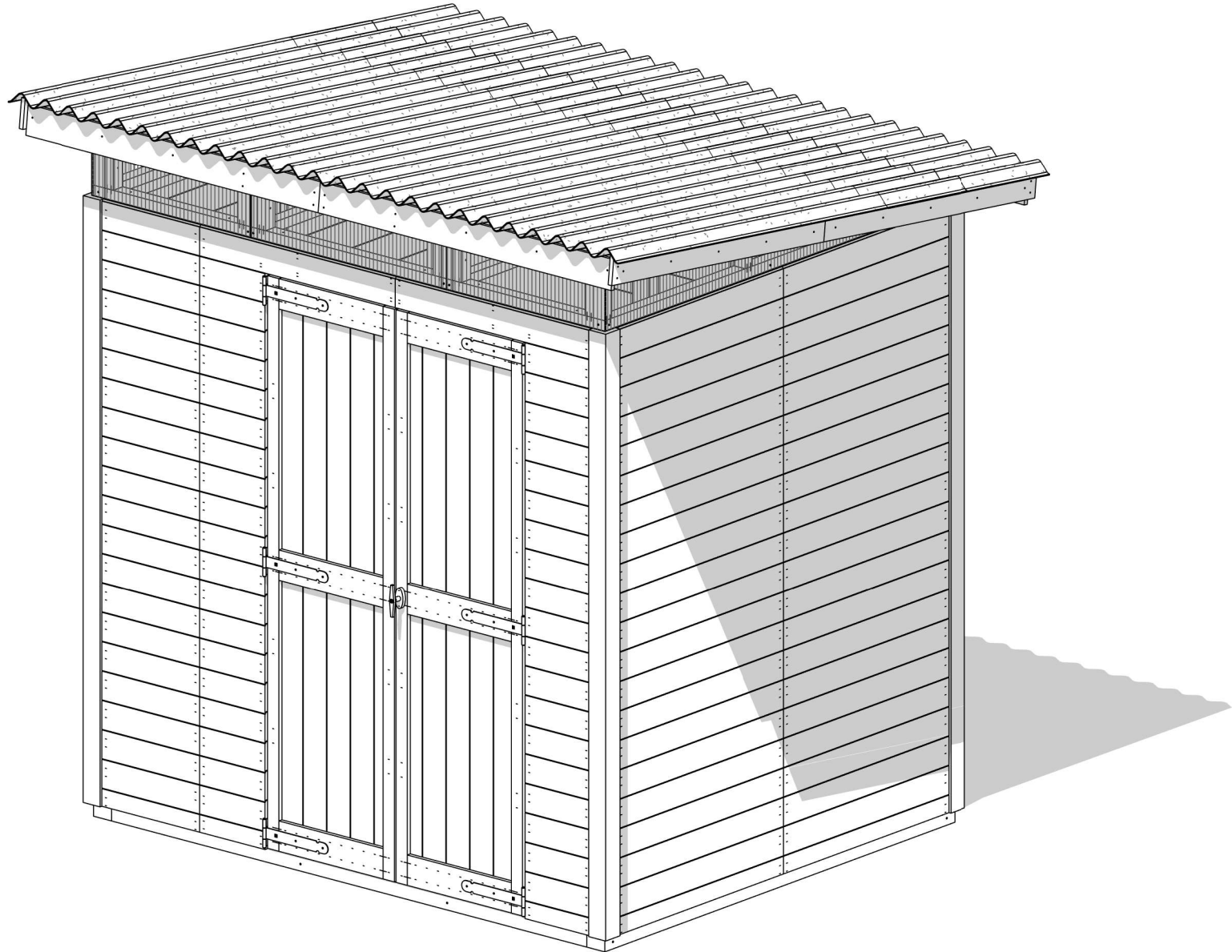
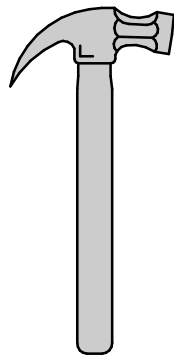
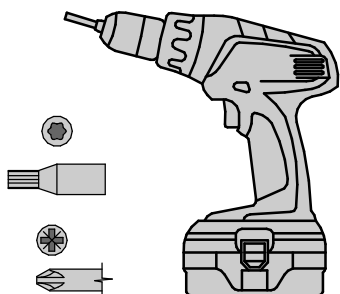
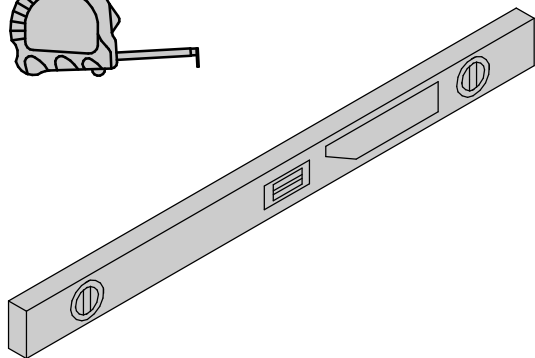
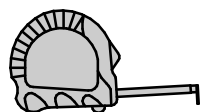
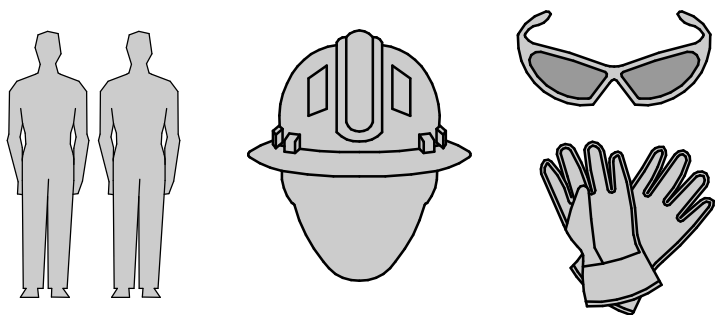


# STRONGBOX L

**upyard™**

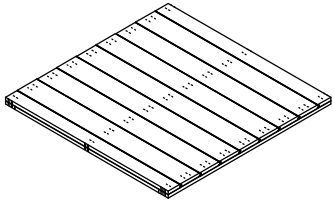




K1

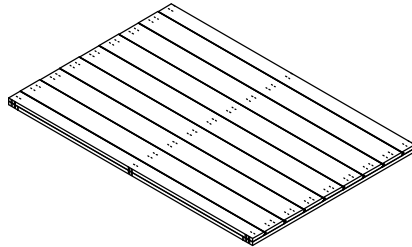
**P1** - 760 x 760 x 28

x2



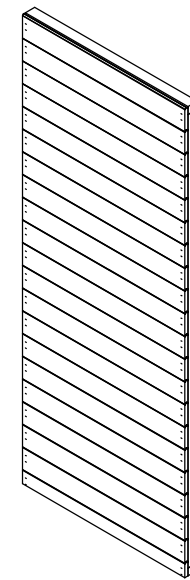
**P2** - 1140 x 760 x 28

x2



**P3** - 760 x 1900 x 58

x6



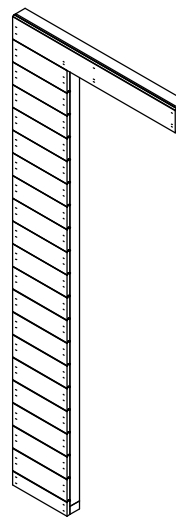
**P4** - 380 x 1900 x 58

x2



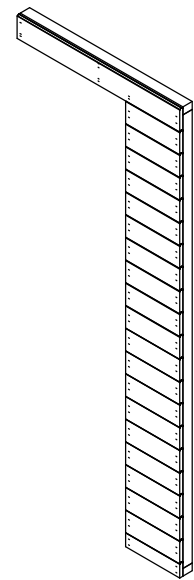
**P5L** - 760 x 1900 x 58

x1



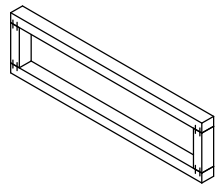
**P5R** - 760 x 1900 x 58

x1



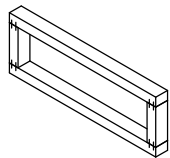
**P6** - 715 x 194 x 44

x1



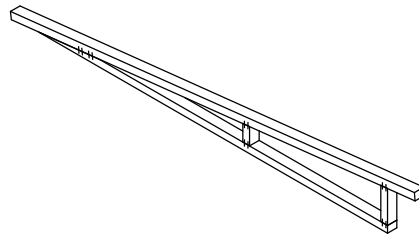
**P7** - 547 x 194 x 44

x2



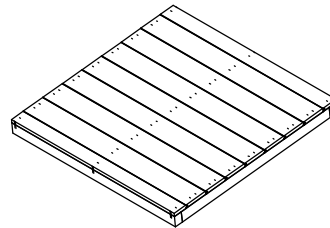
**P8** - 1892 x 244 x 44

x4



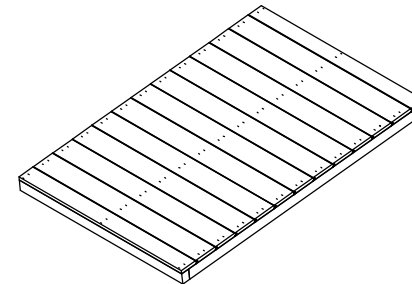
**P9** - 760 x 760 x 58

x3



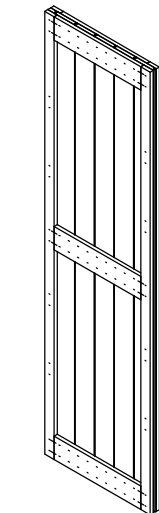
**P10** - 760 x 1140 x 58

x3



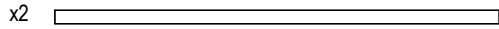
**P11** - 493 x 1793 x 42

x2

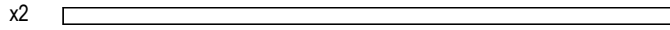


K2

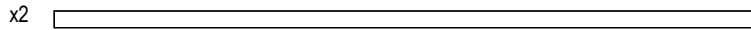
**1** - 44 x 70 x 1468



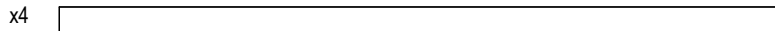
**2** - 44 x 70 x 1608



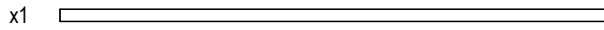
**3** - 44 x 70 x 1848



**4** - 66 x 66 x 1900



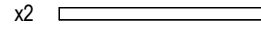
**5** - 32 x 44 x 1450



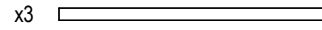
**6** - 14 x 95 x 1518



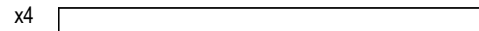
**7** - 32 x 44 x 547



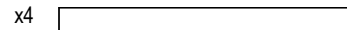
**8** - 32 x 44 x 715




**9** - 14 x 95 x 1140




**10** - 14 x 95 x 980




**A** Ø3.5x25-TX15 


x20

**B** Ø3.5x35-TX15 

x80

**C** Ø4x50-TX20 


x116

**D** Ø5x70-TX25 

x56

**E** Ø5x120-TX25 


x8

**F** M6x60 

x8

**G** Ø3x75 

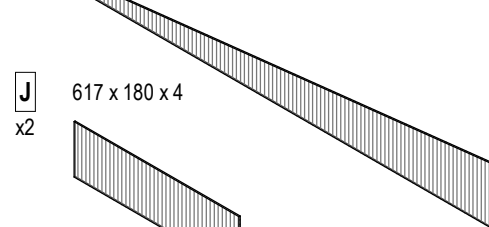
x60

**H** Ø4.5x45(PC) 

x22

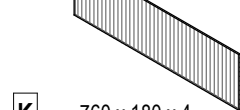
**I** 1622 x 210 x 4

x2



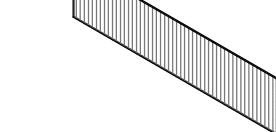
**J** 617 x 180 x 4

x2



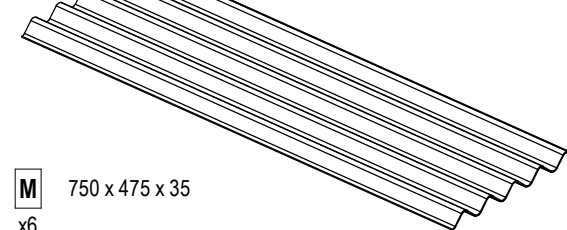
**K** 760 x 180 x 4

x1



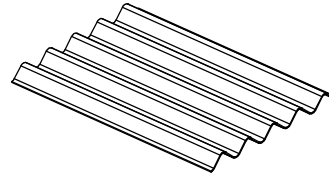
**L** 1620 x 475 x 35

x6



**M** 750 x 475 x 35

x6



**N** 

x6

**O** 

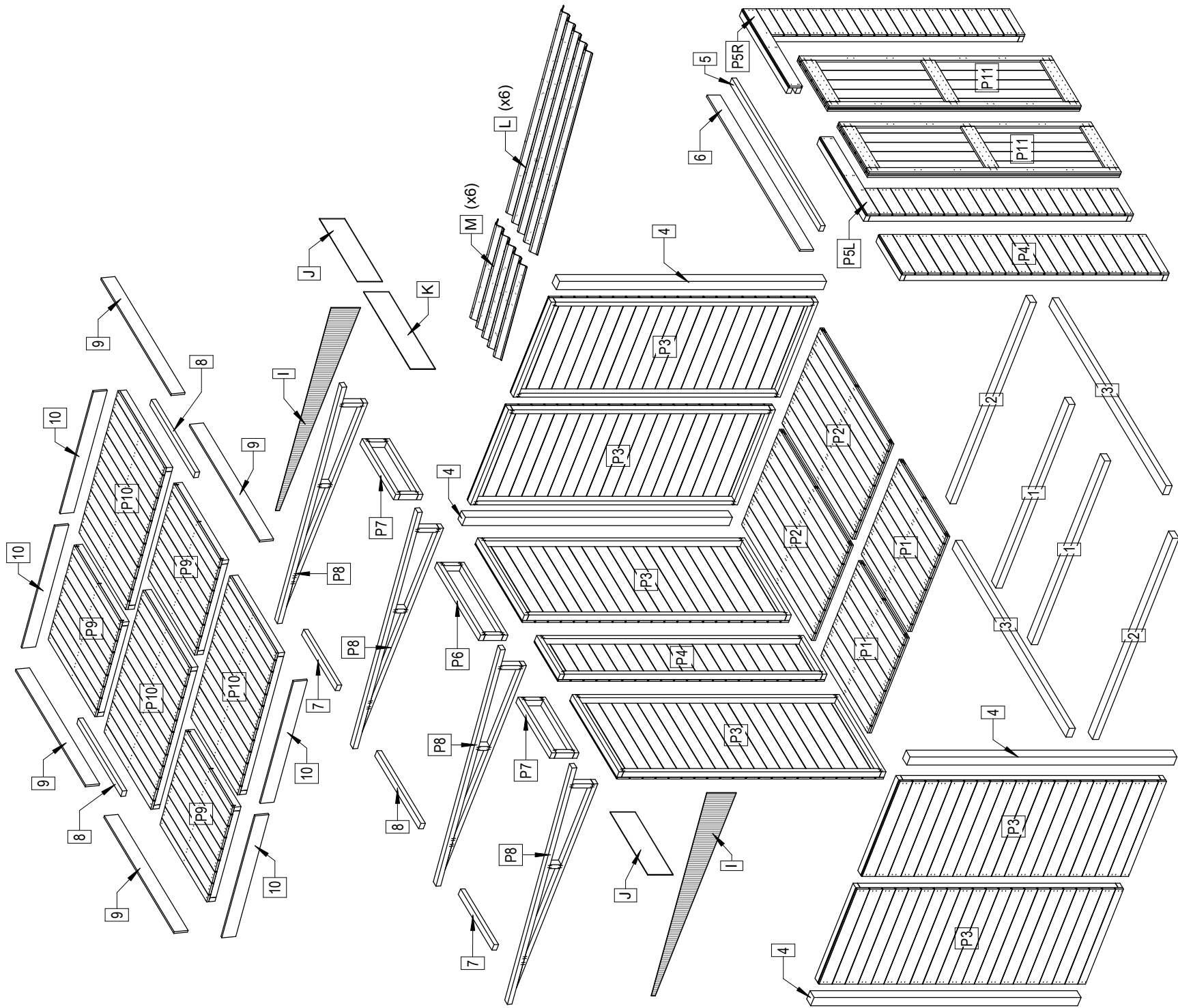
x1

**P** 

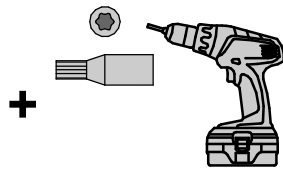
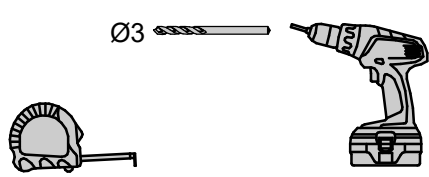
x2

**Q** 

x2

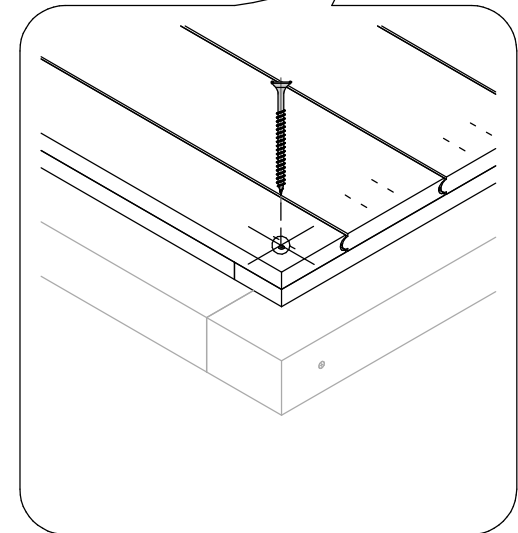
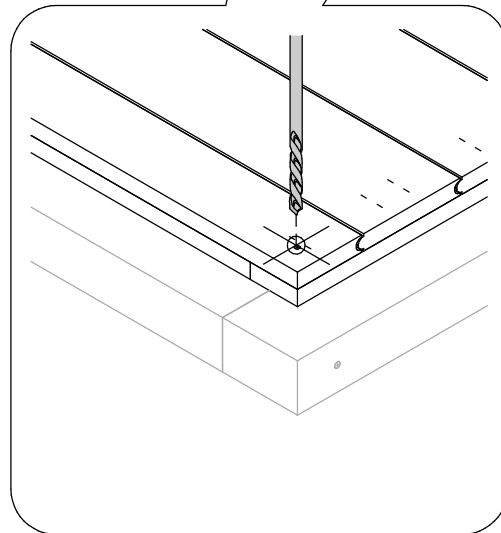
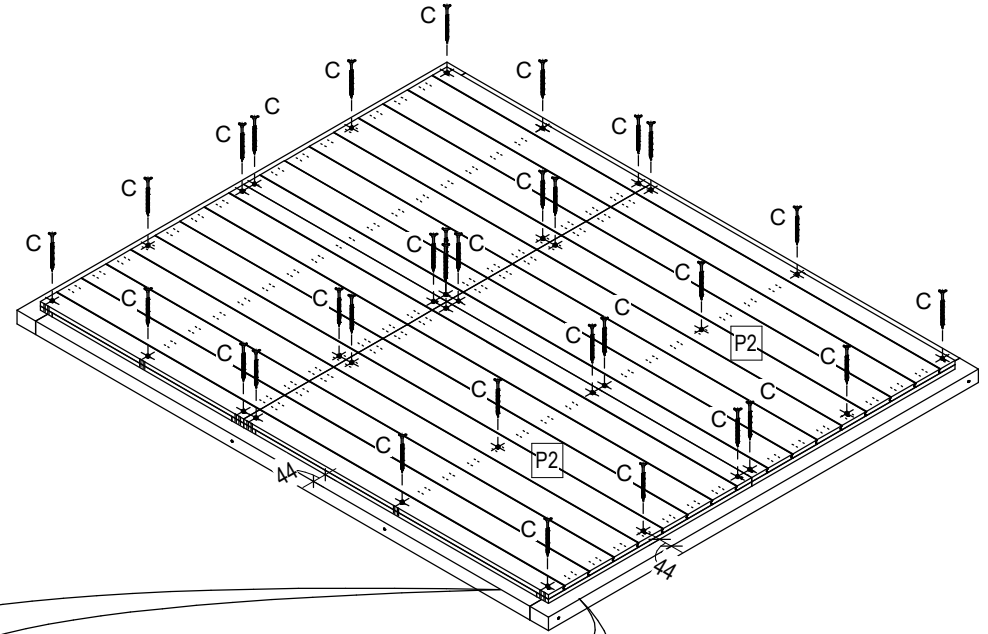
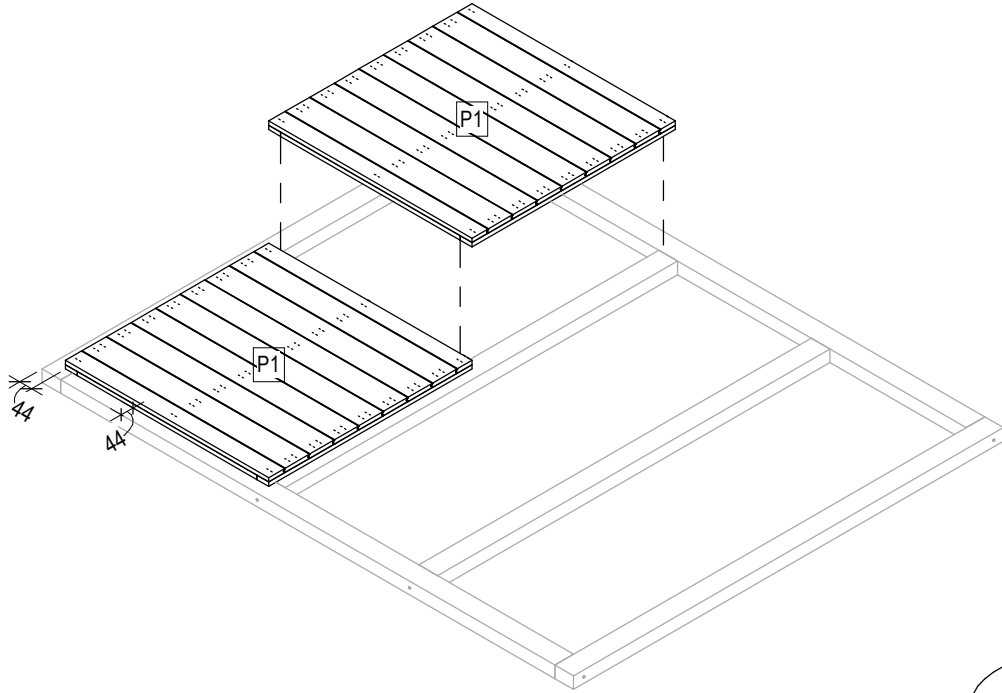




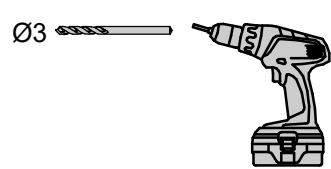


C  
4x50 x32

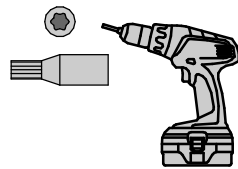
**upyard™**



**K6**

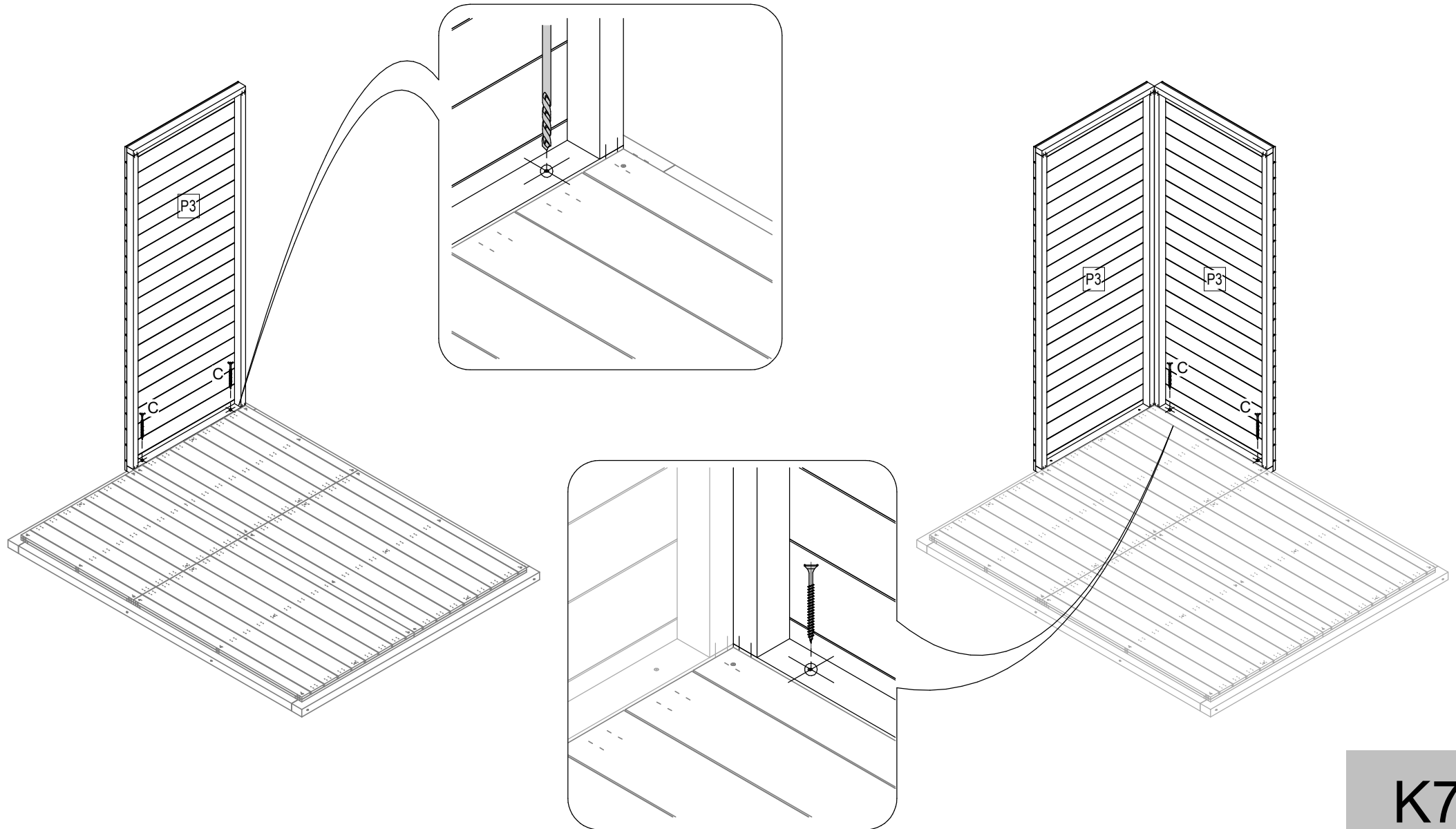


+

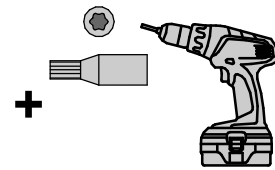
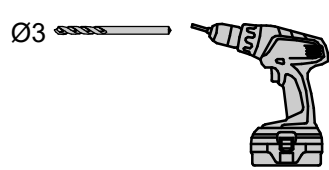
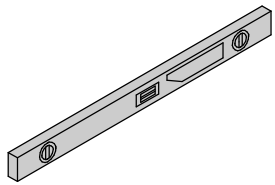


C  
4x50 x4

**upyard™**



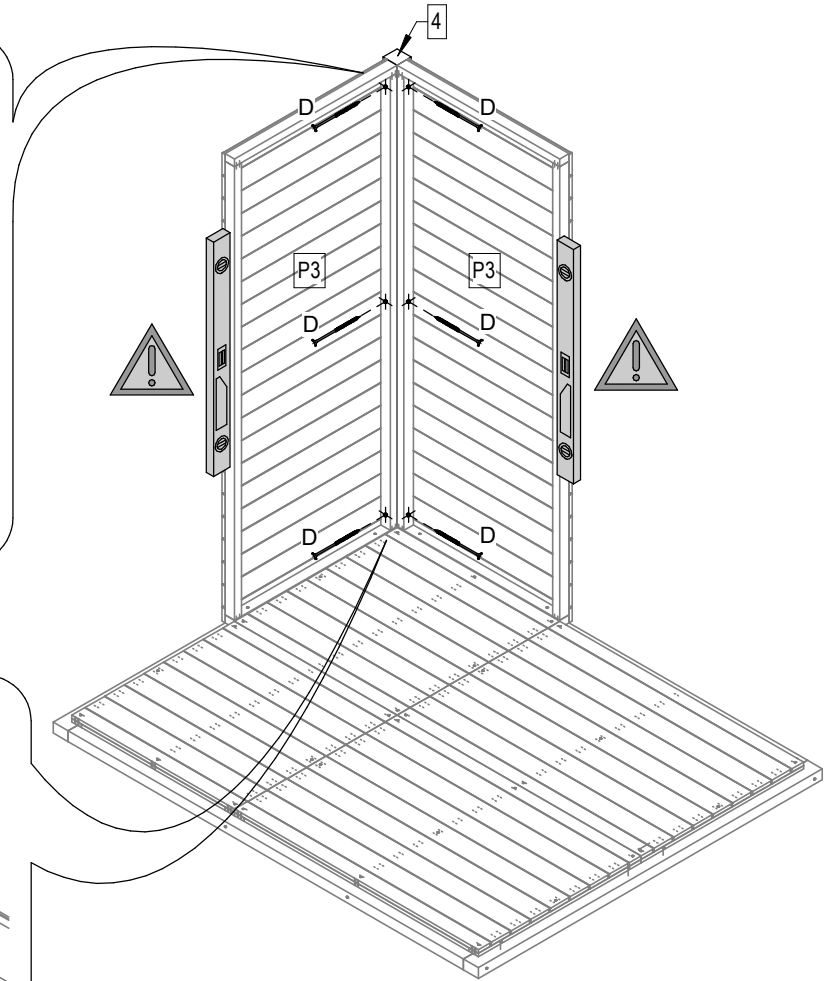
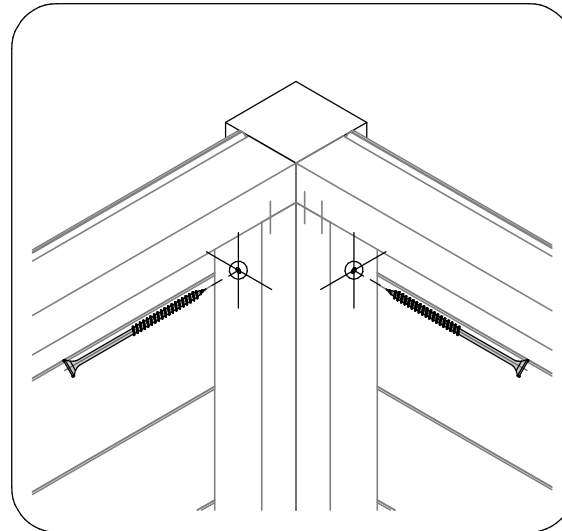
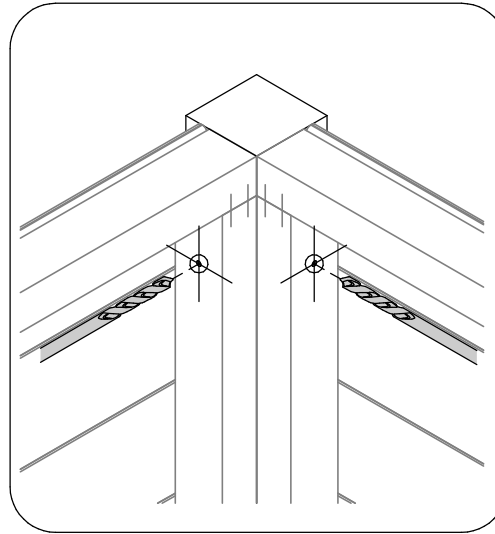
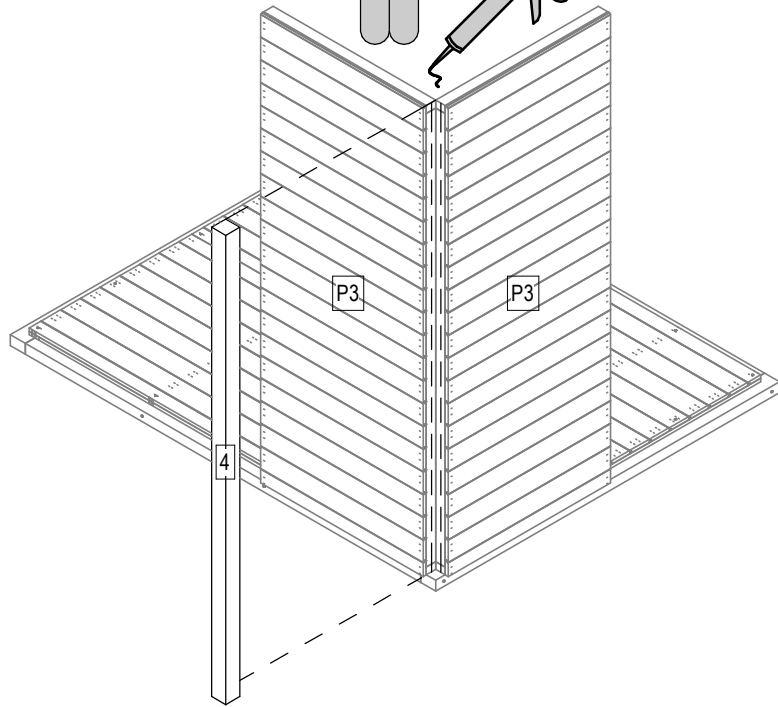
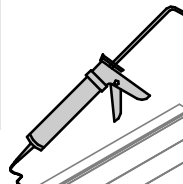
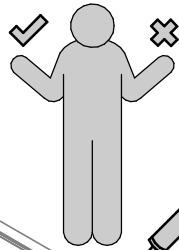
**K7**



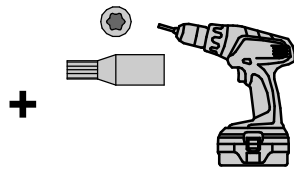
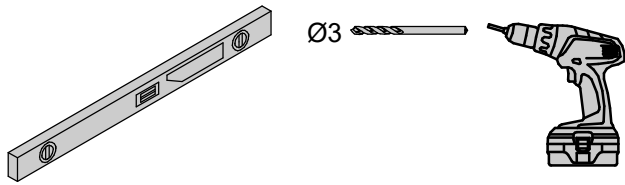
D 5x70 x6


upyard™


OPTIONAL



K8

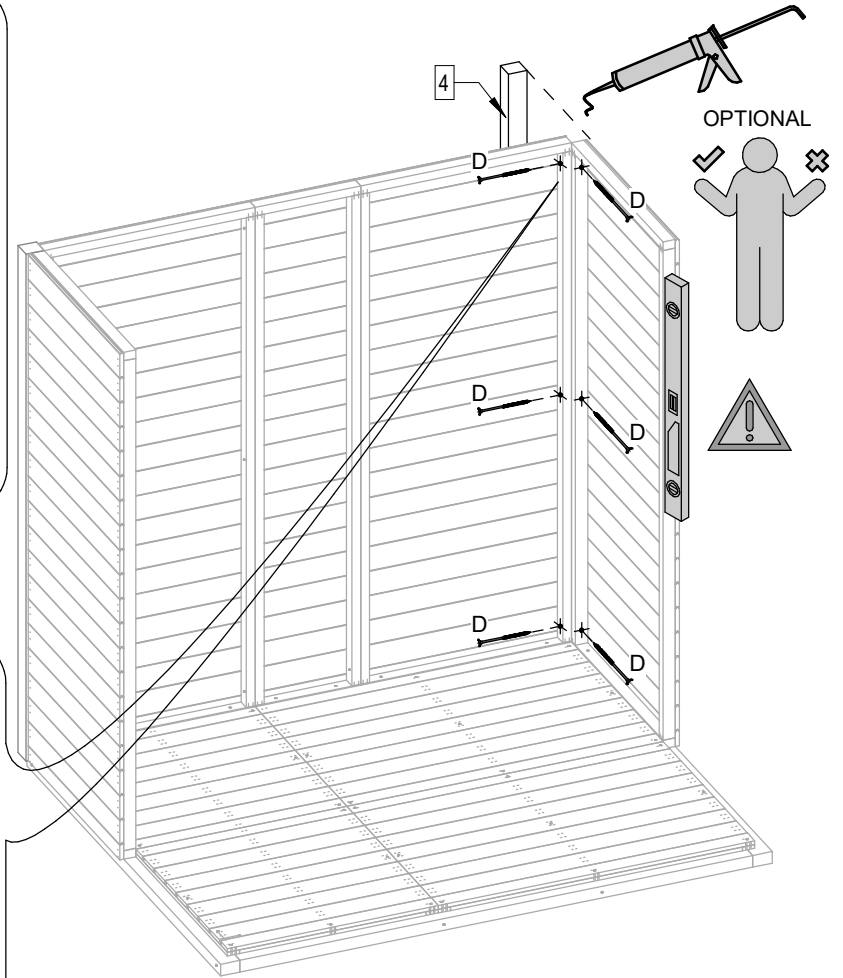
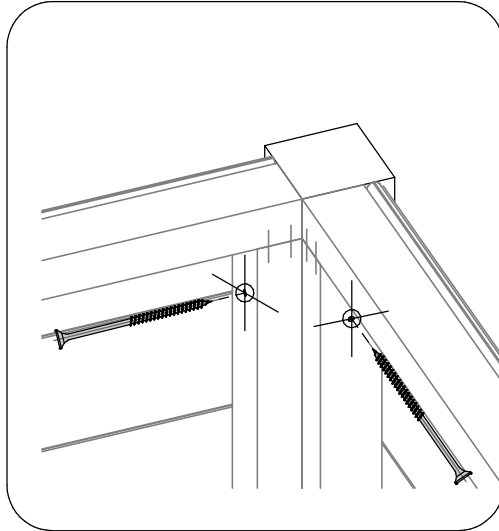
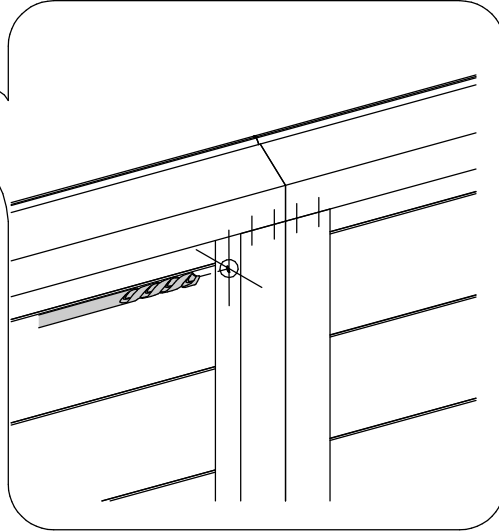
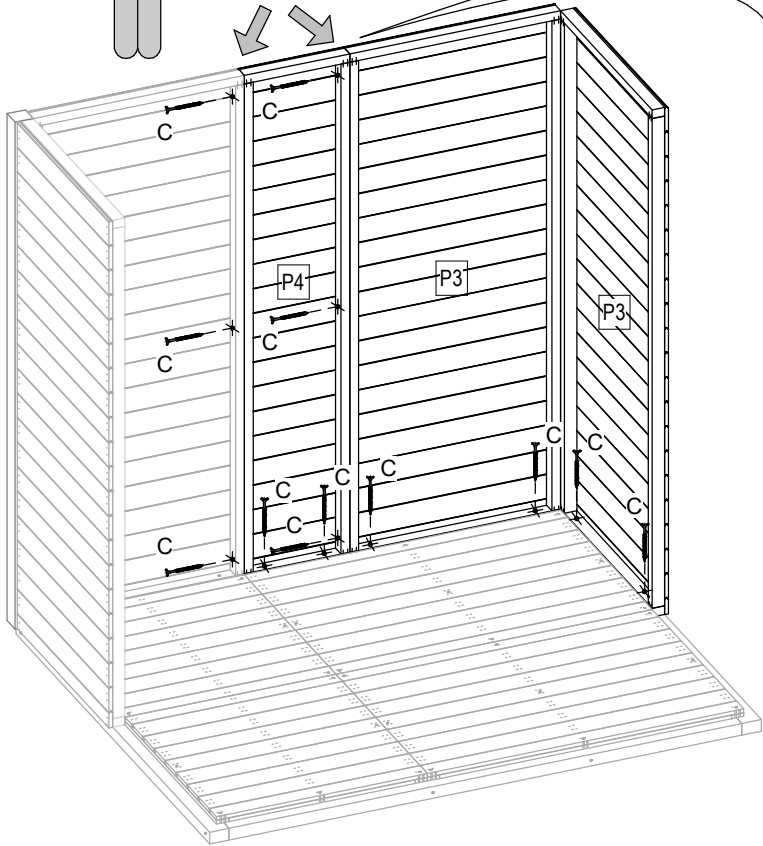
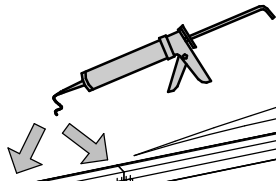
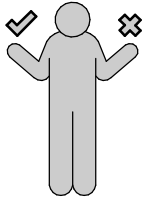


**C**  4x50 x12

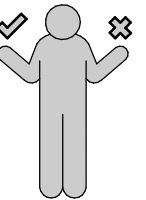
**D**  5x70 x6

**upyard™**

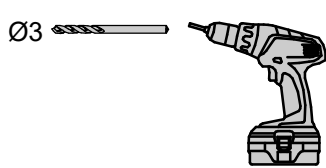
OPTIONAL



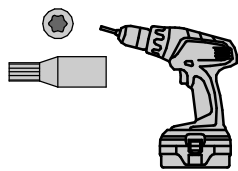
OPTIONAL



**K9**



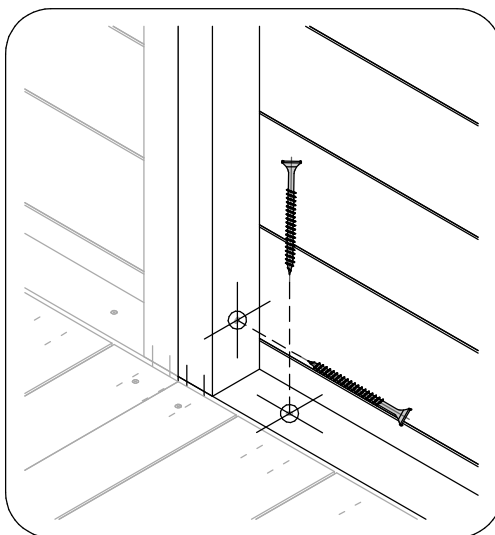
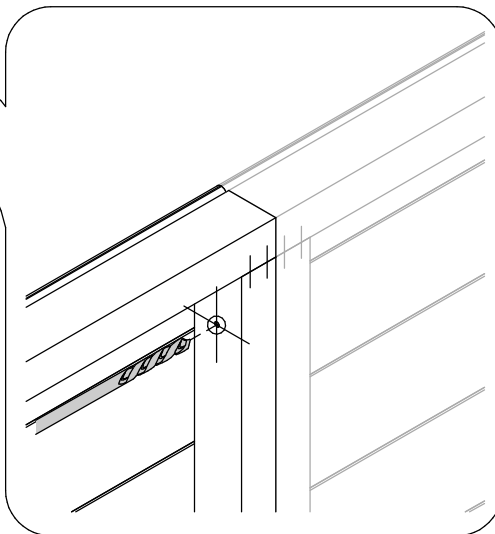
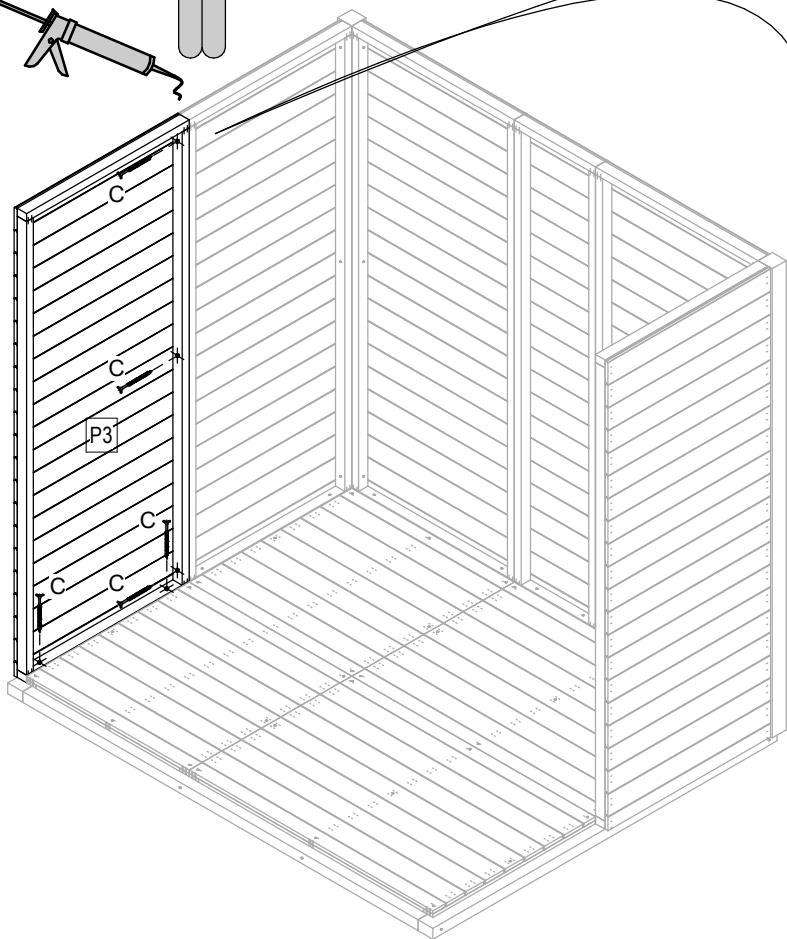
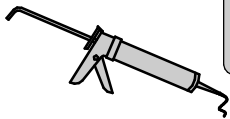
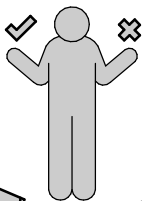
+



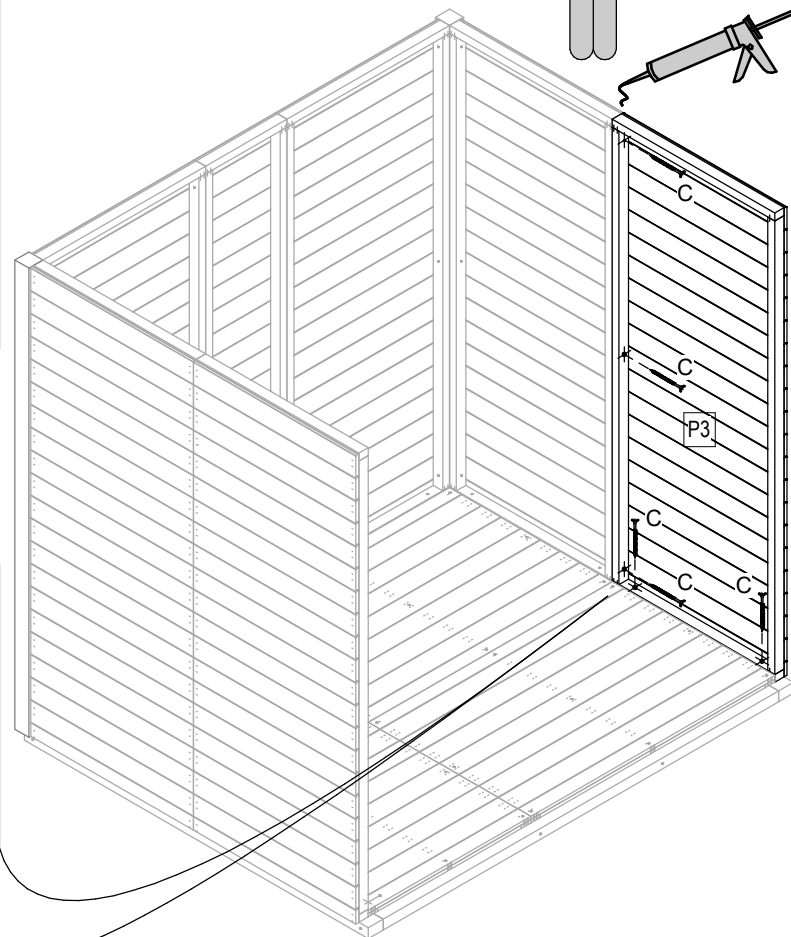
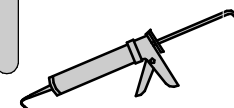
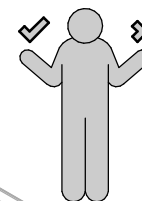
C  
4x50      x10

**upyard™**

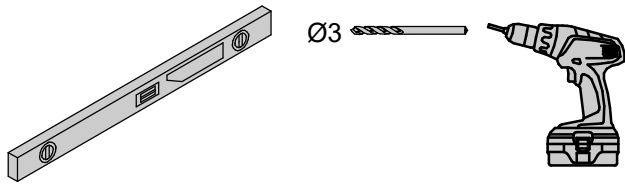
OPTIONAL



OPTIONAL

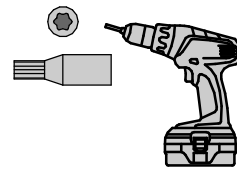



**K10**




Ø3

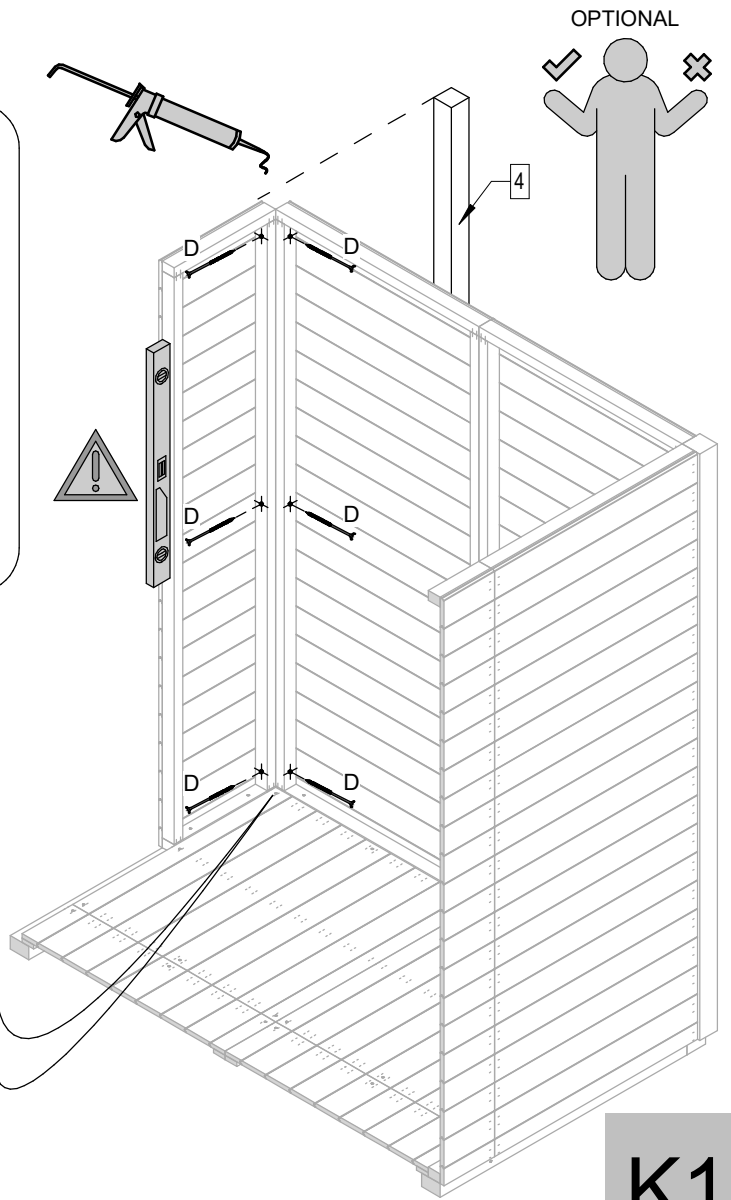
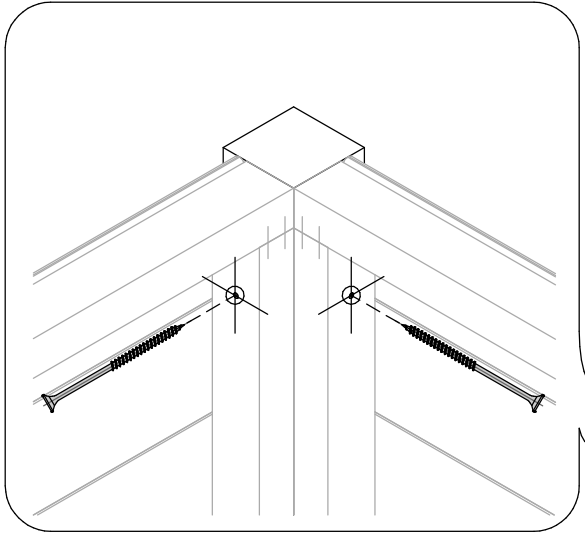
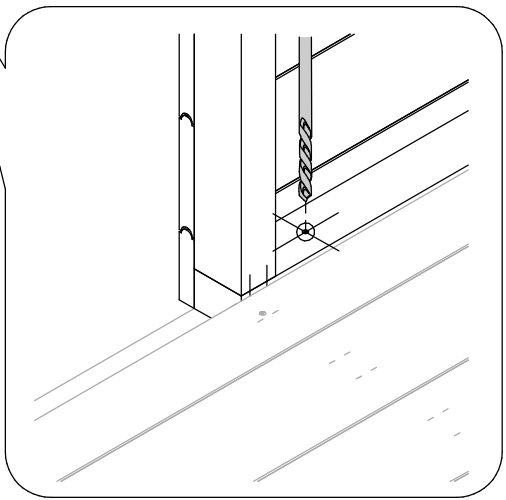
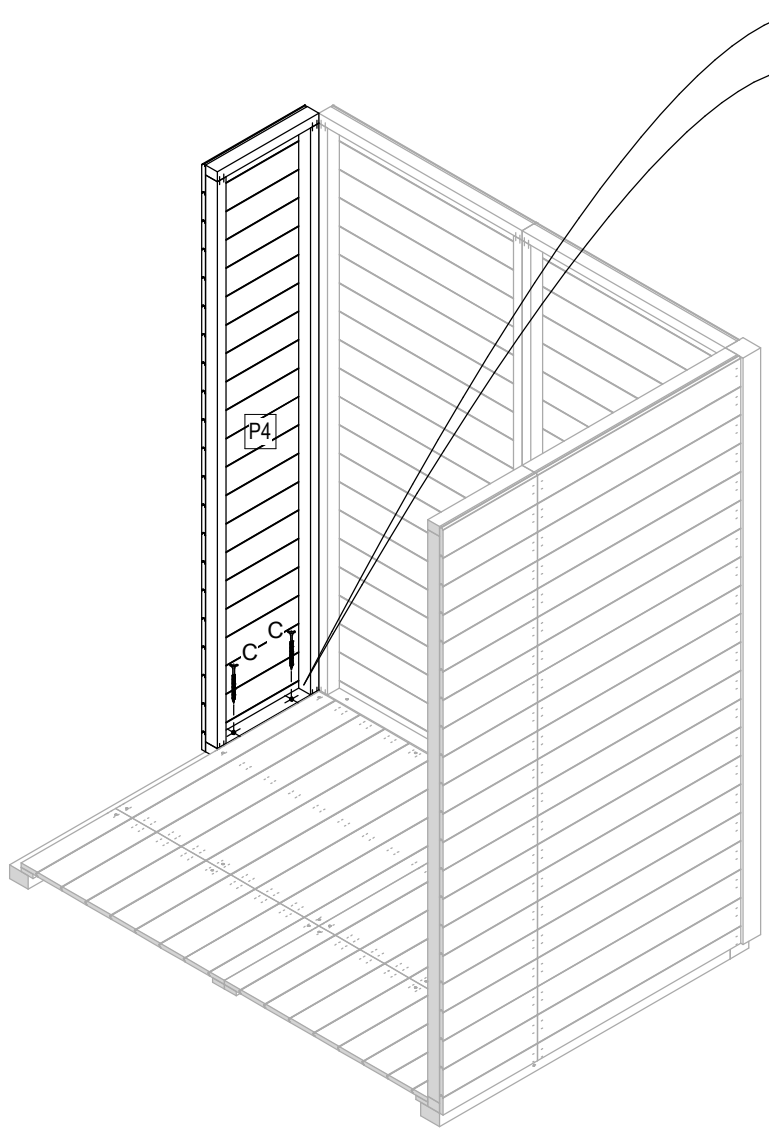
+



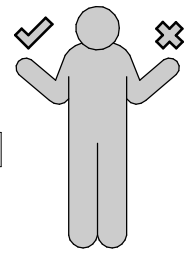
**C**  4x50 x2

**D**  5x70 x6

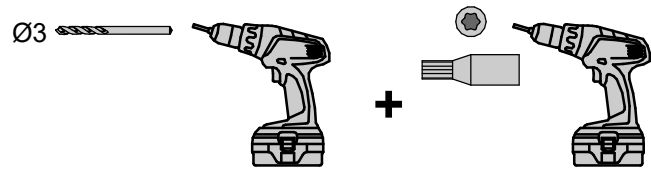
**upyard™**





OPTIONAL

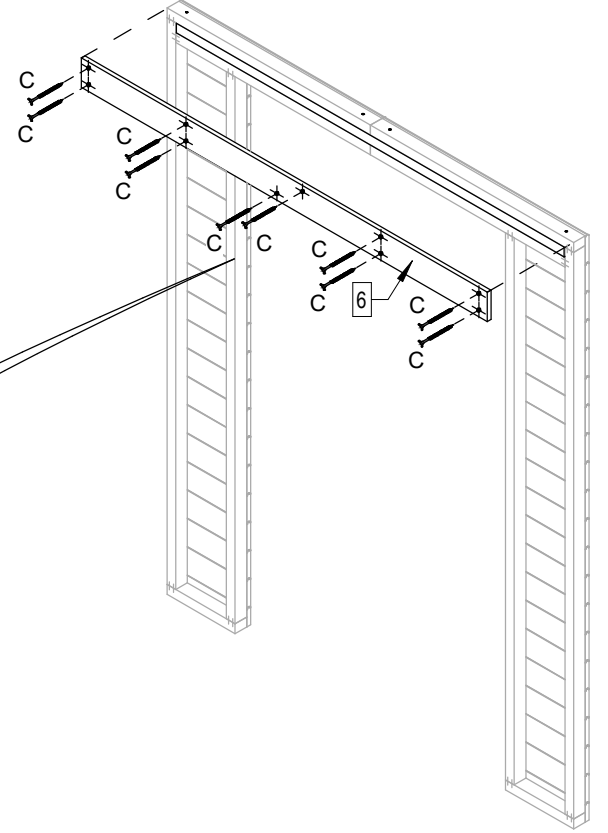
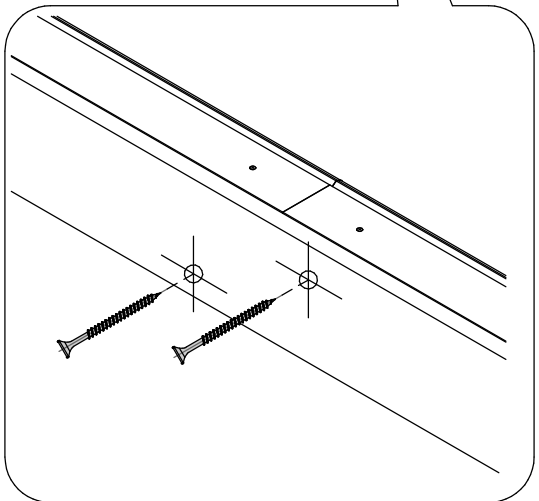
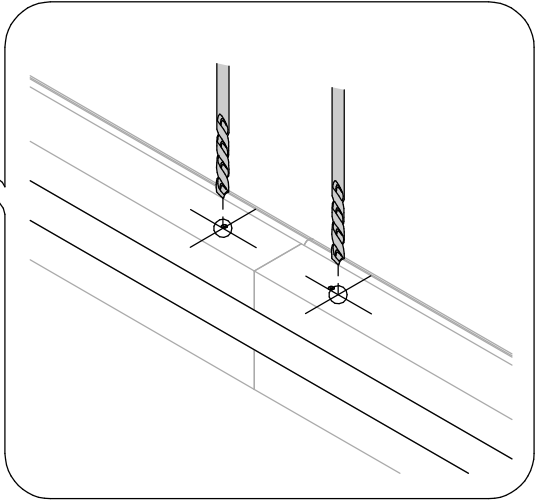
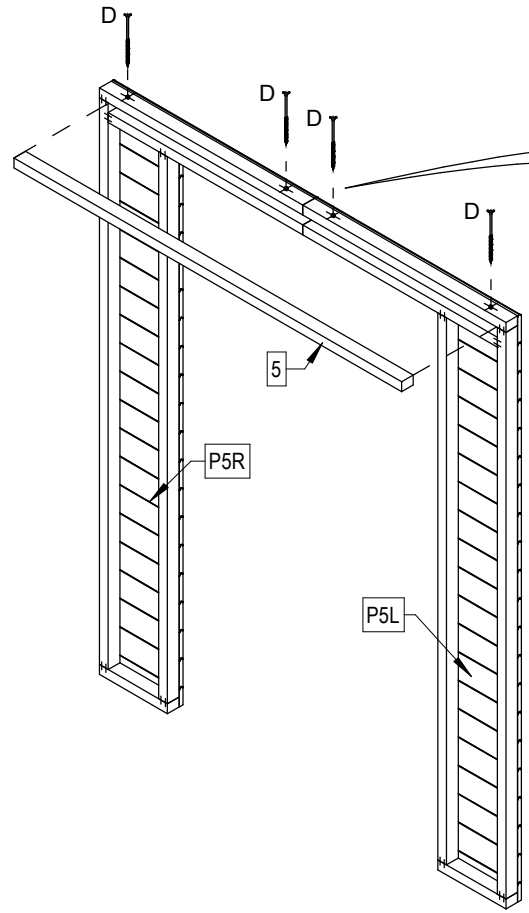


**K11**

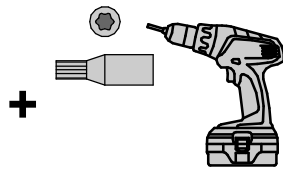
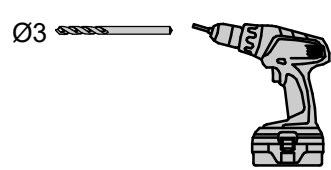
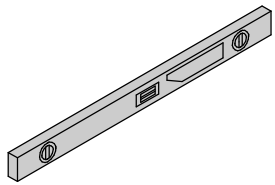


- C  4x50 x10
- D  5x70 x4

**upyard™**



**K12**

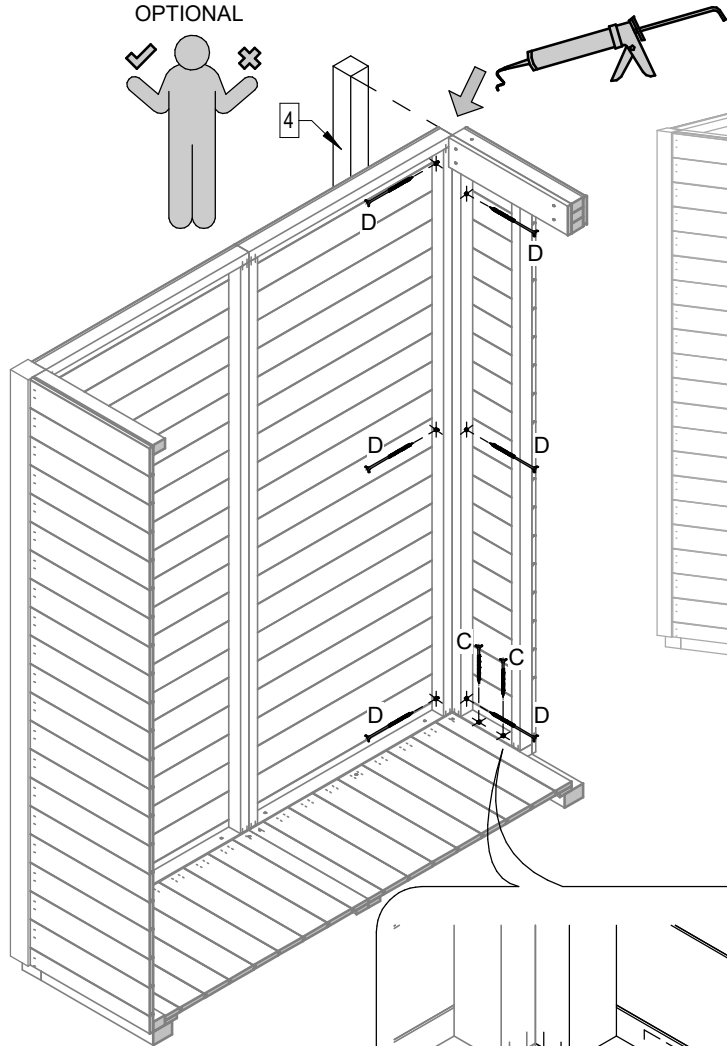
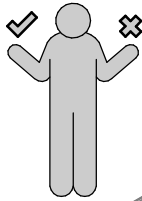


C 4x50 x7

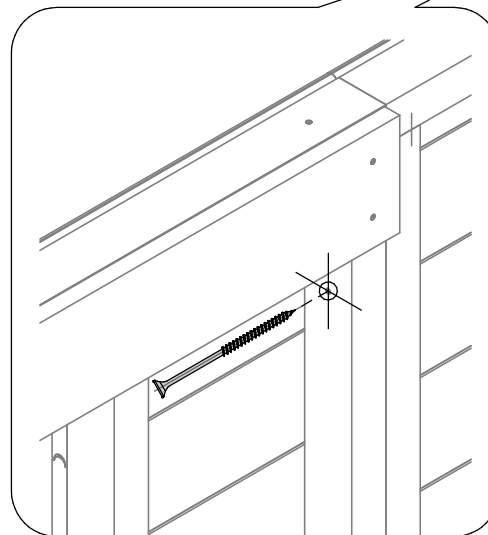
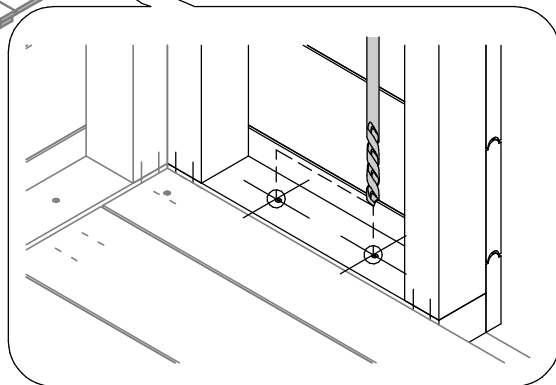
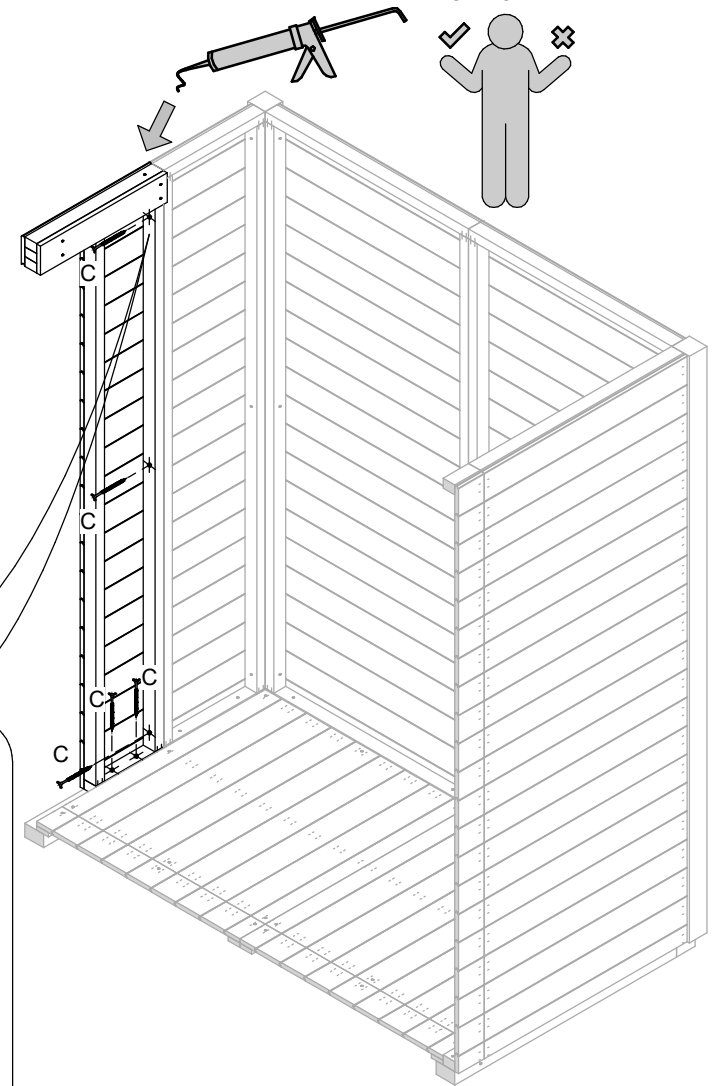
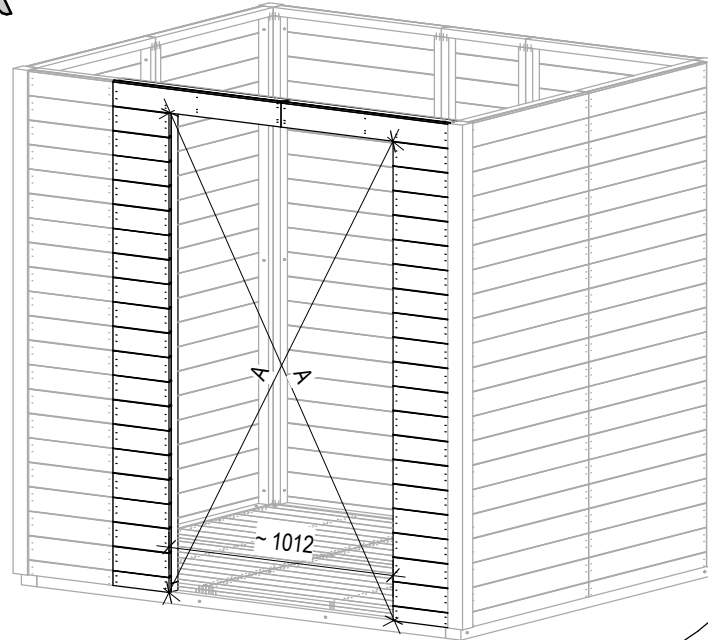
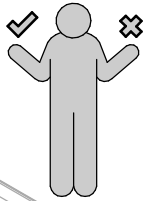
D 5x70 x6

upyard™

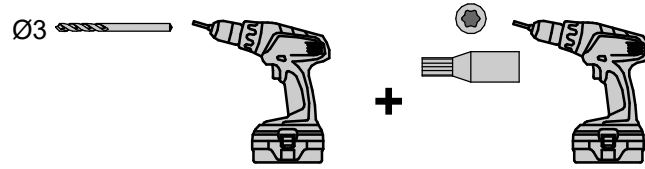
OPTIONAL





OPTIONAL



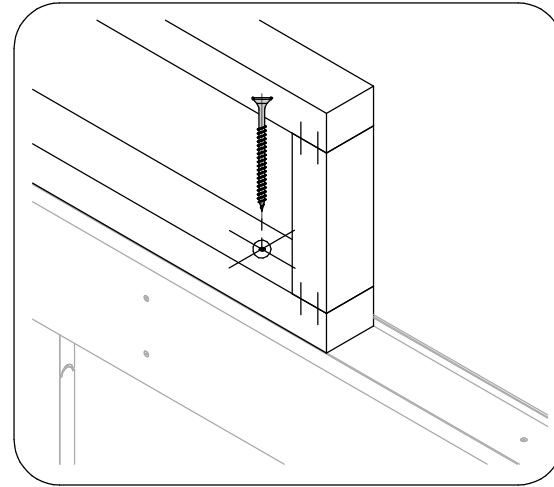
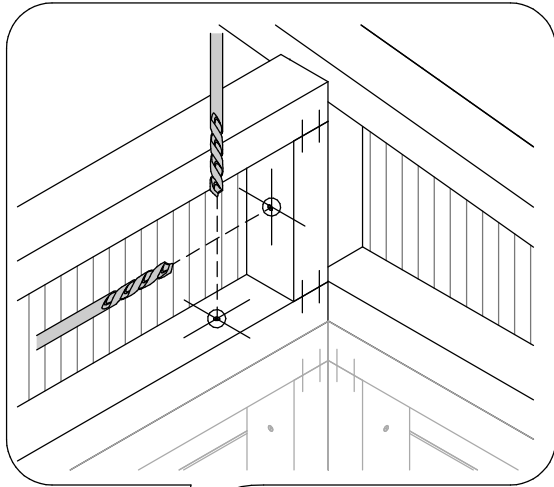
K13



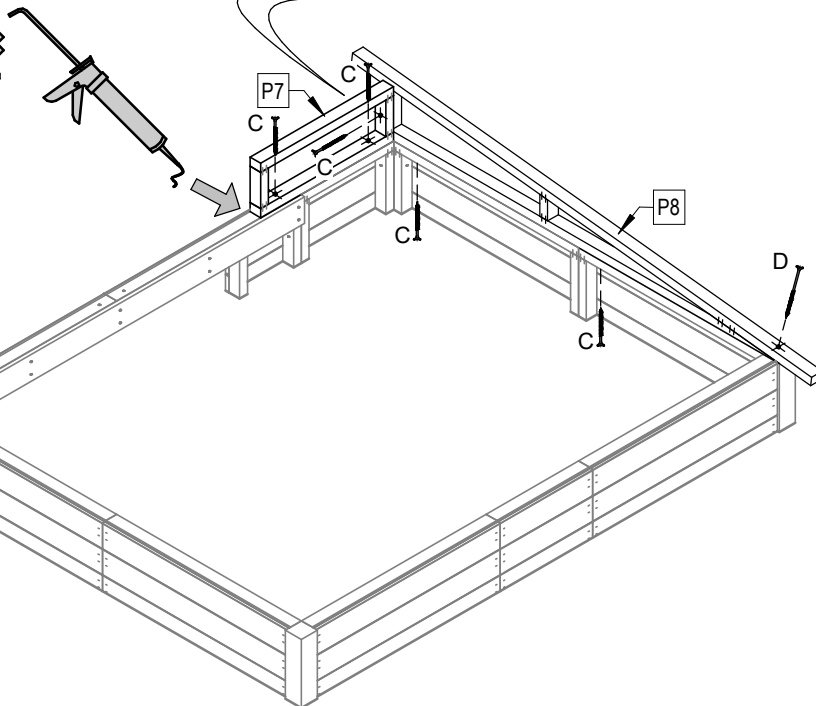
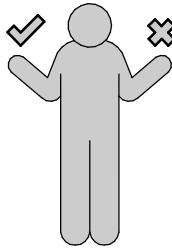
**C**  x10  
4x50

**D**  x2  
5x70

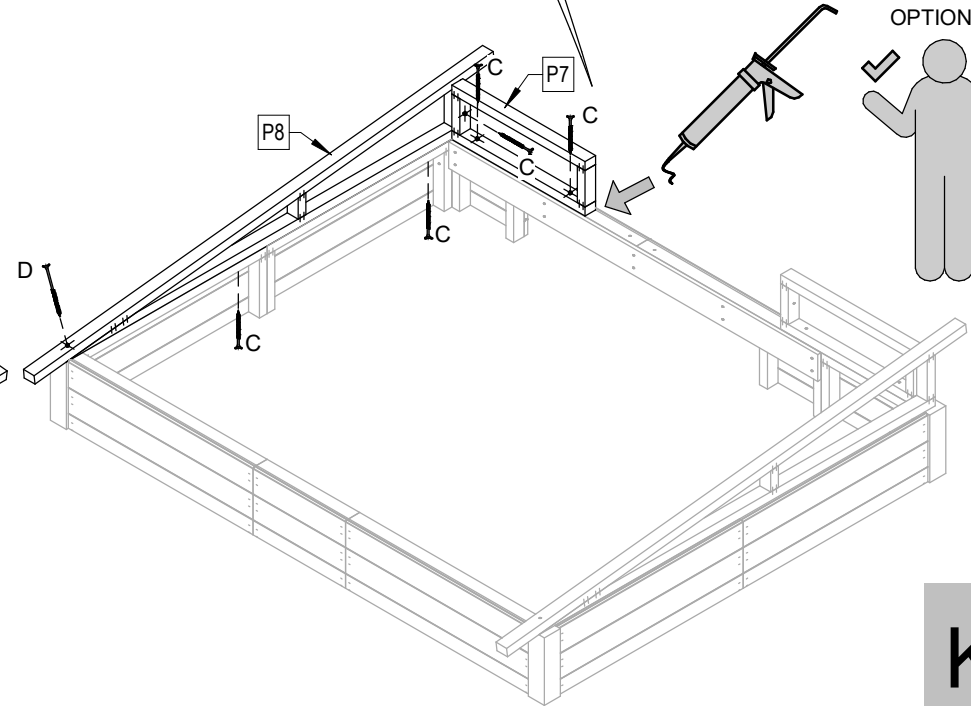
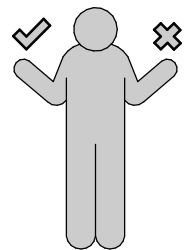
**upyard™**



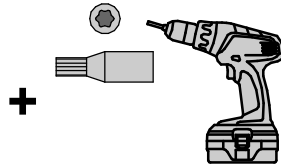
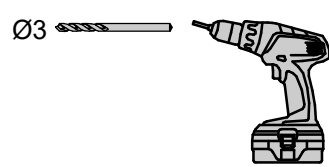
OPTIONAL



OPTIONAL

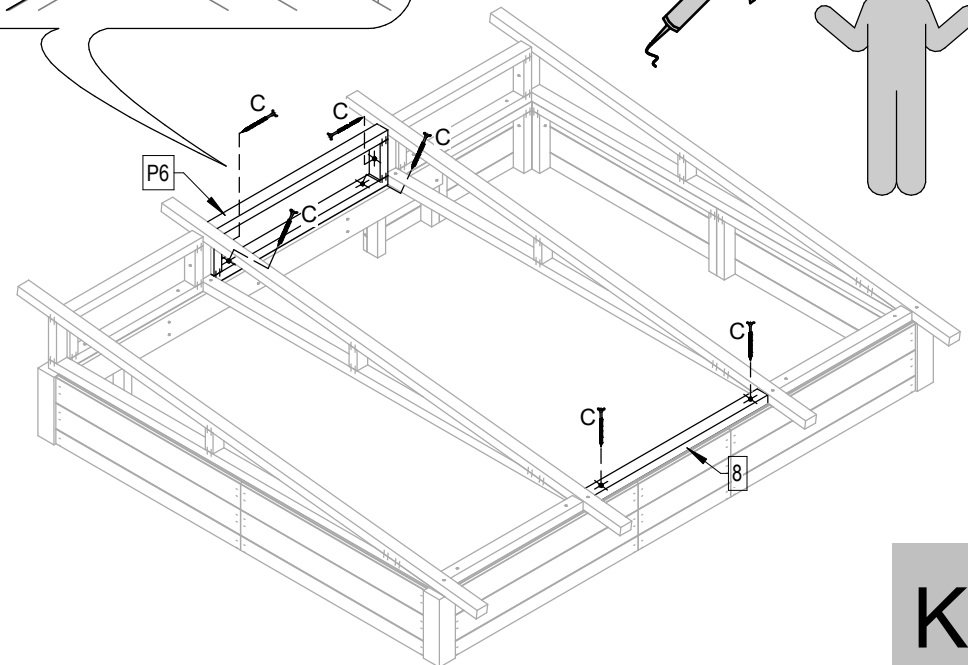
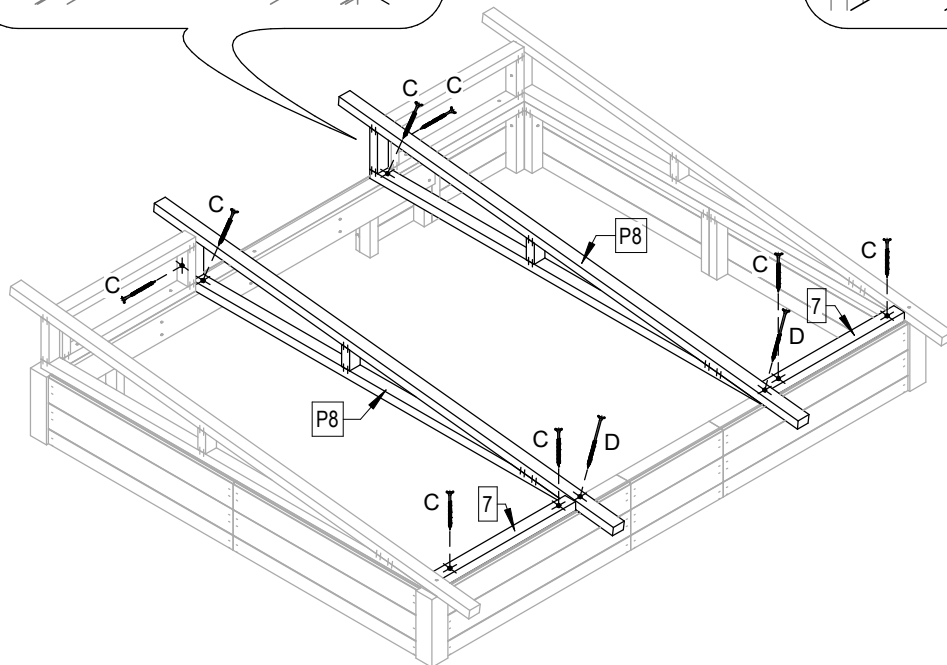
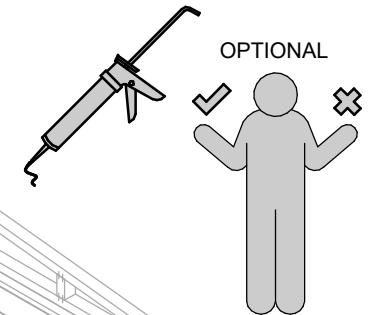
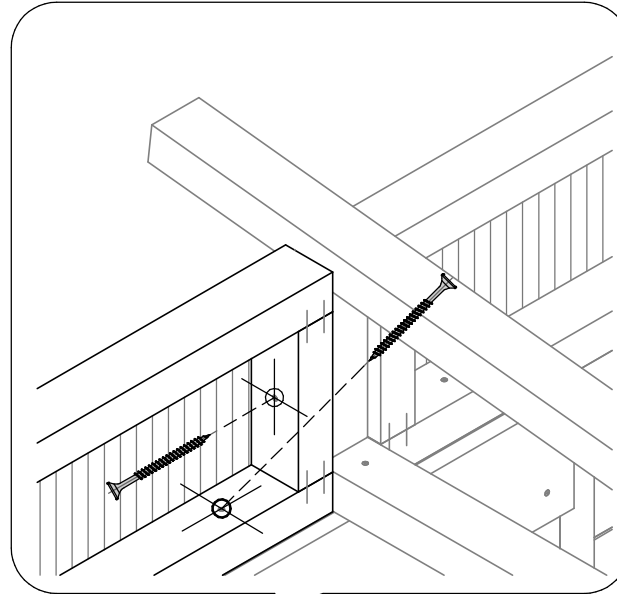
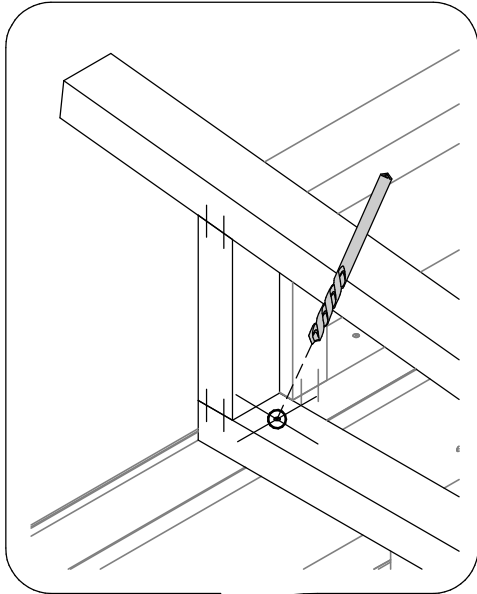


**K14**

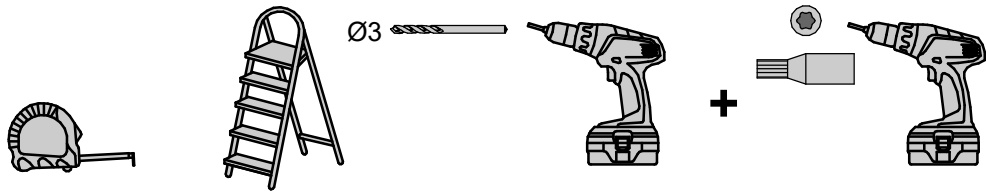




- C 4x50 x14
- D 5x70 x2

**upyard™**

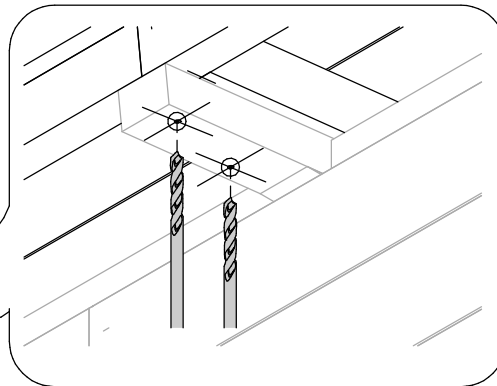
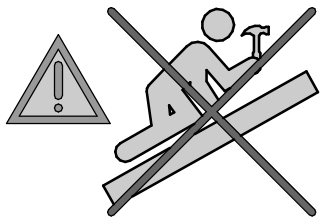
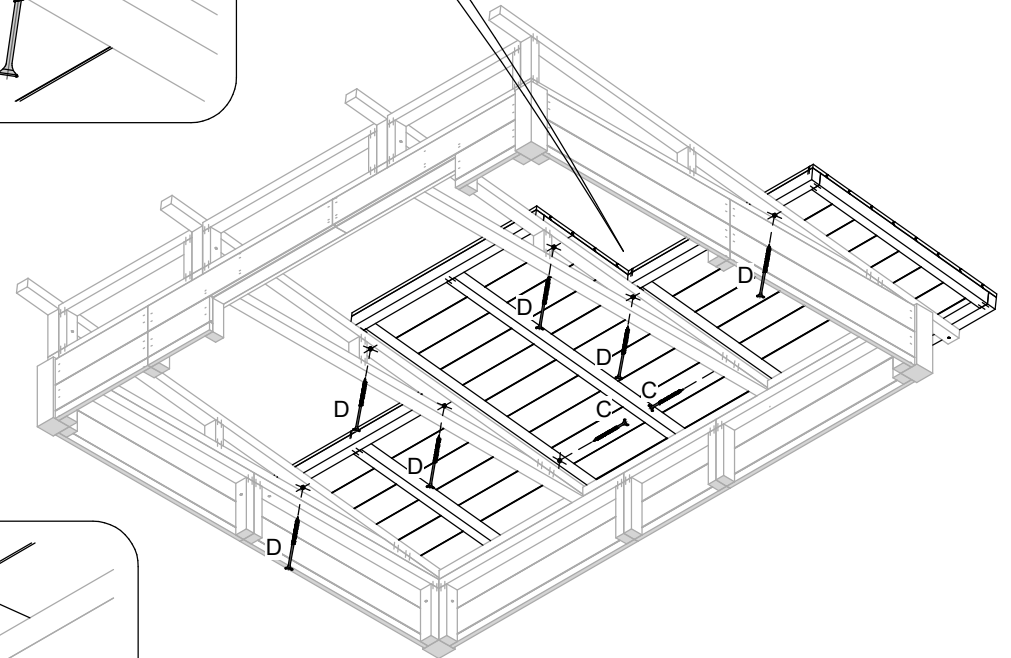
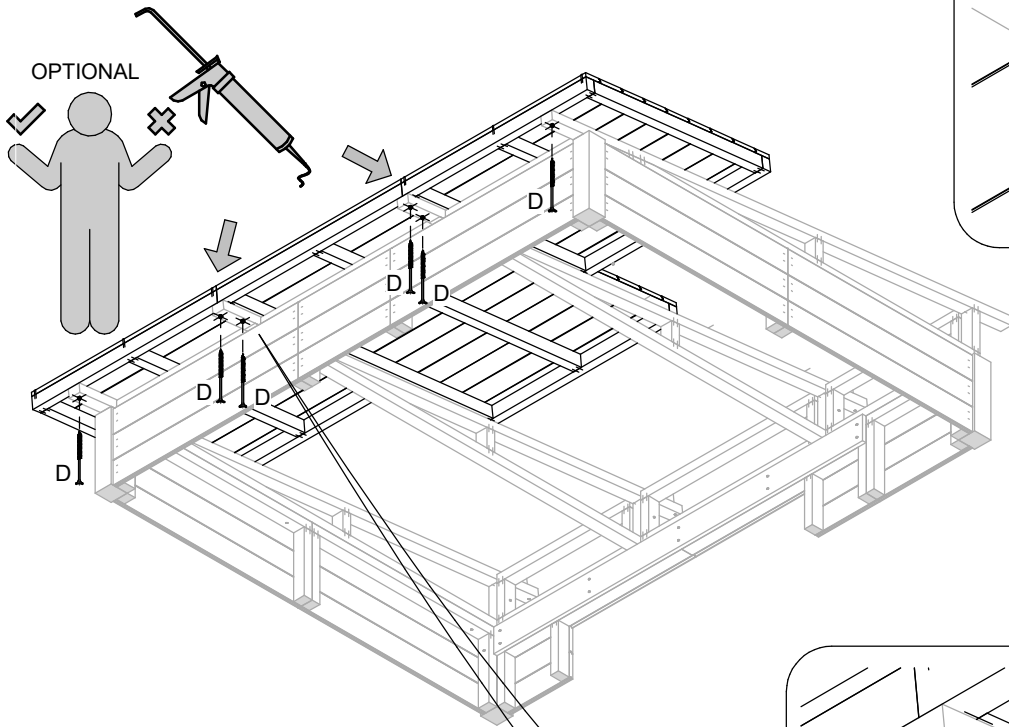
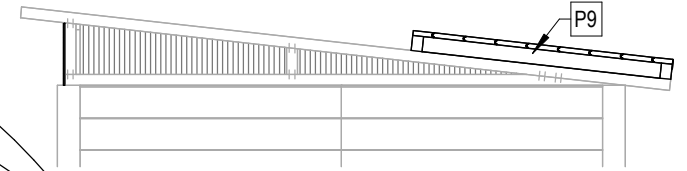
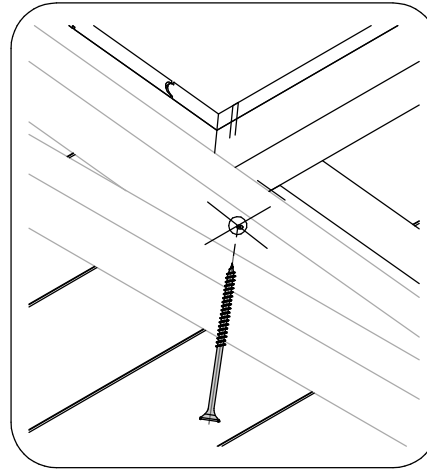
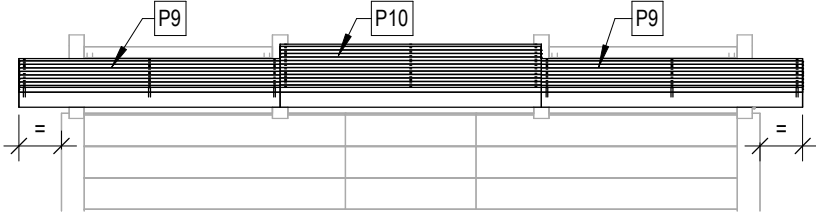


**K15**

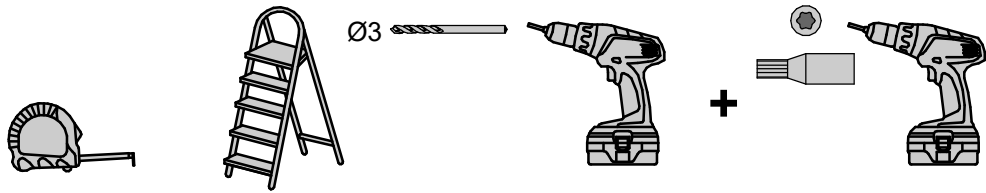




- C**  4x50 x2
- D**  5x70 x12

**upyard™**

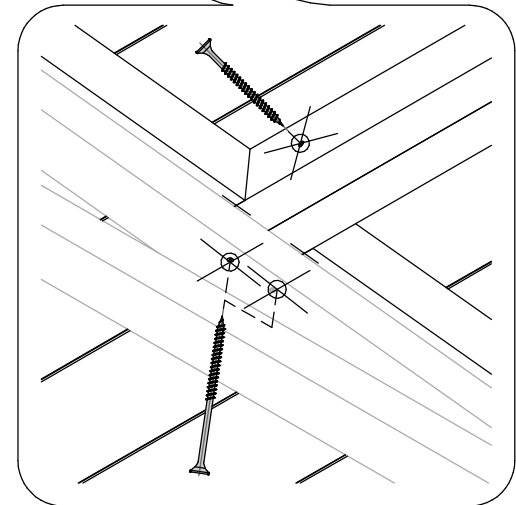
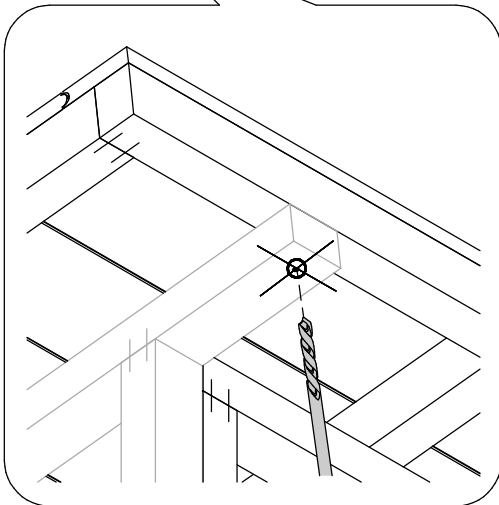
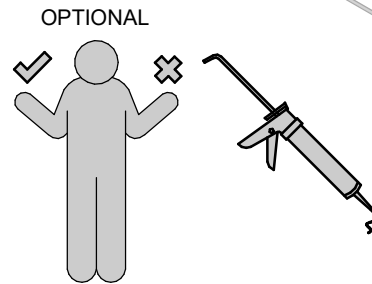
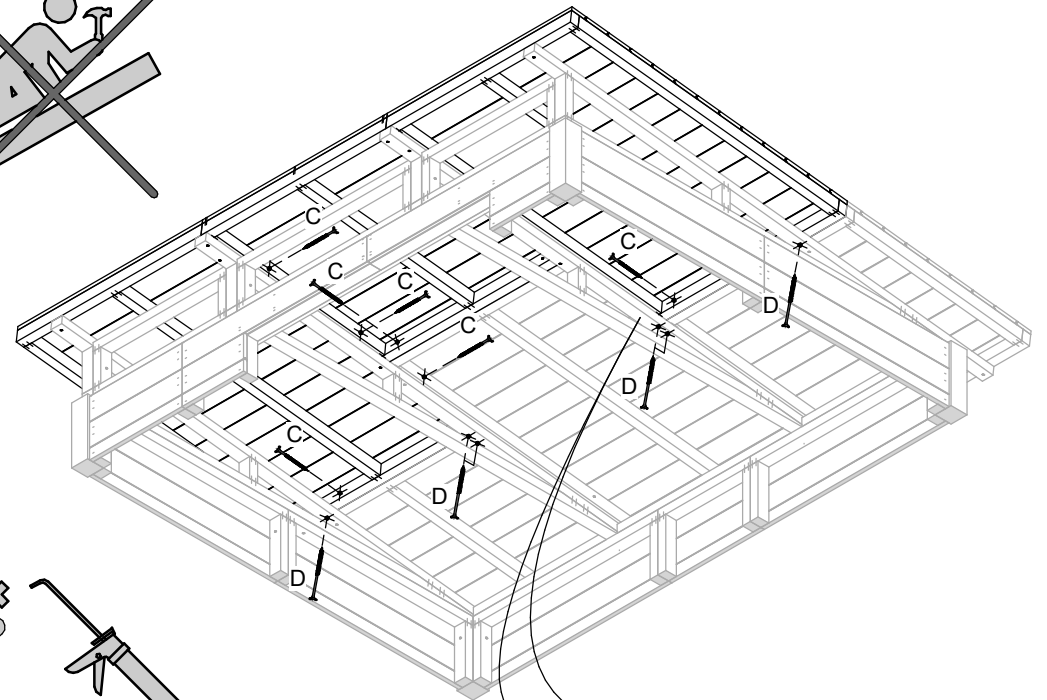
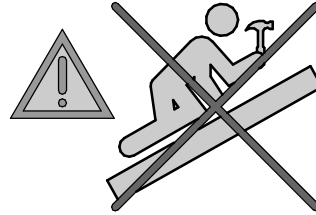
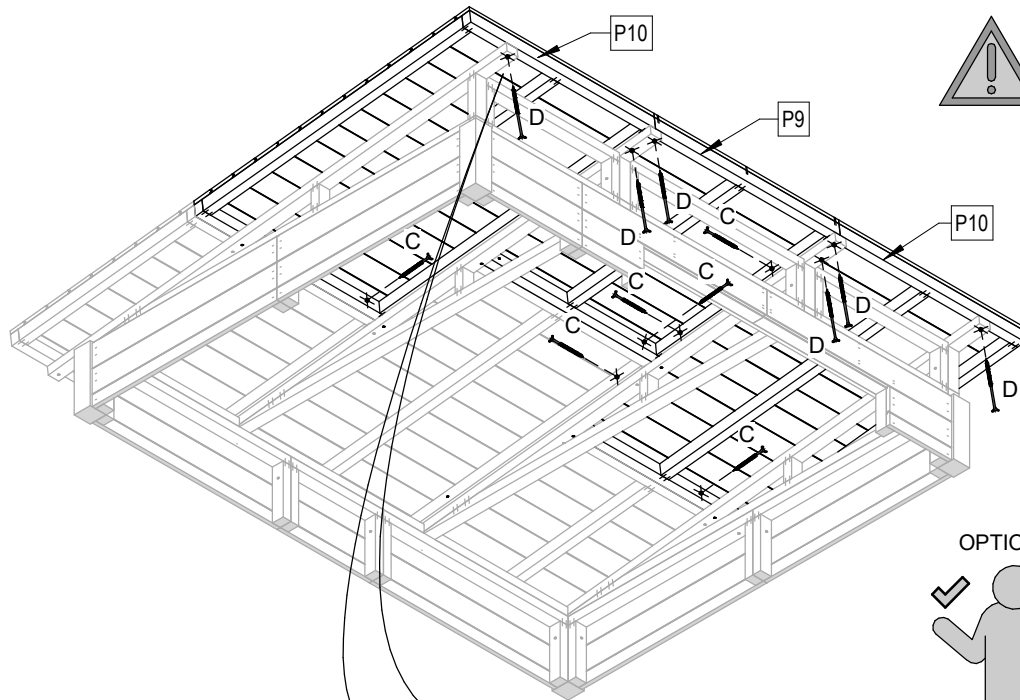


**K16**



- C**  4x50 x12
- D**  5x70 x12

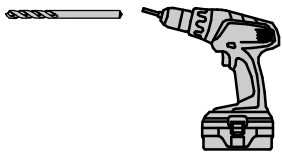
**upyard™**



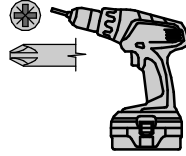
**K17**



Ø3



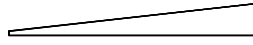
+



Ø4.5x45(PC)

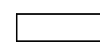
x22

I



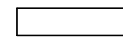
x2

J



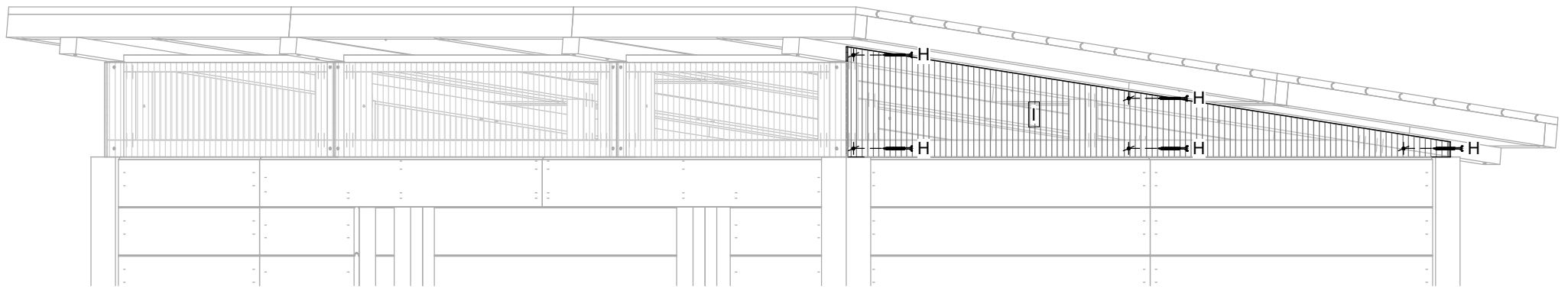
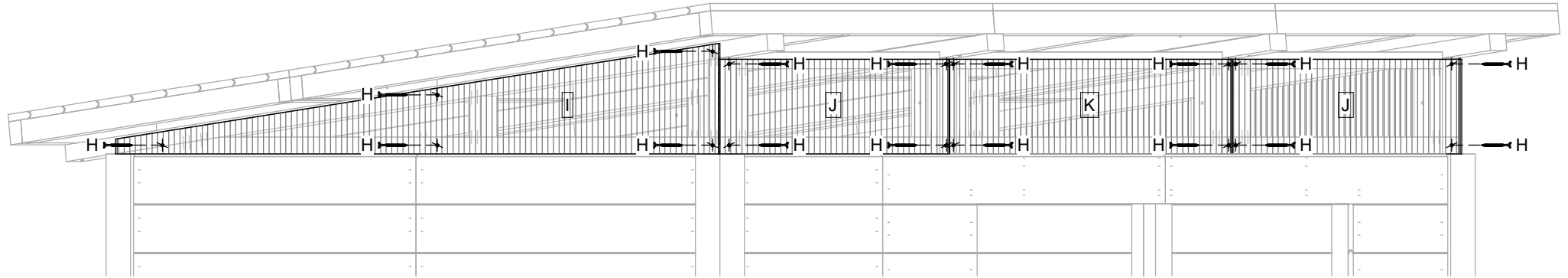
x2

K

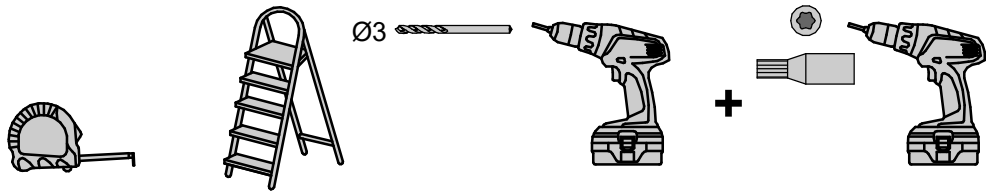


x1

**upyard™**



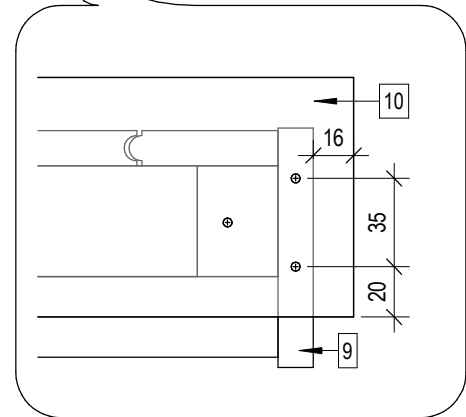
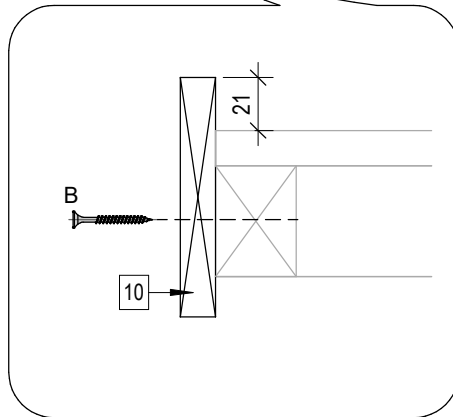
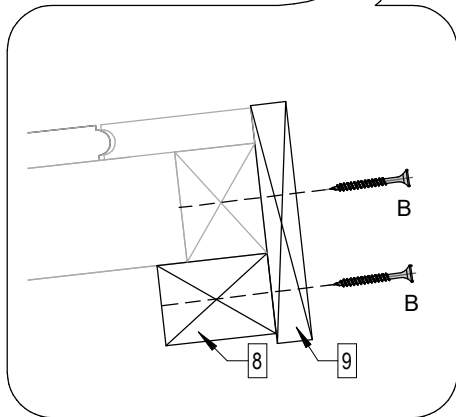
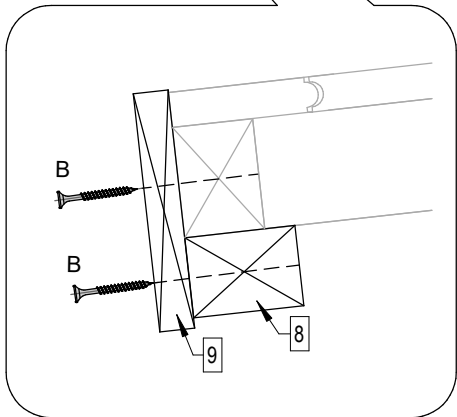
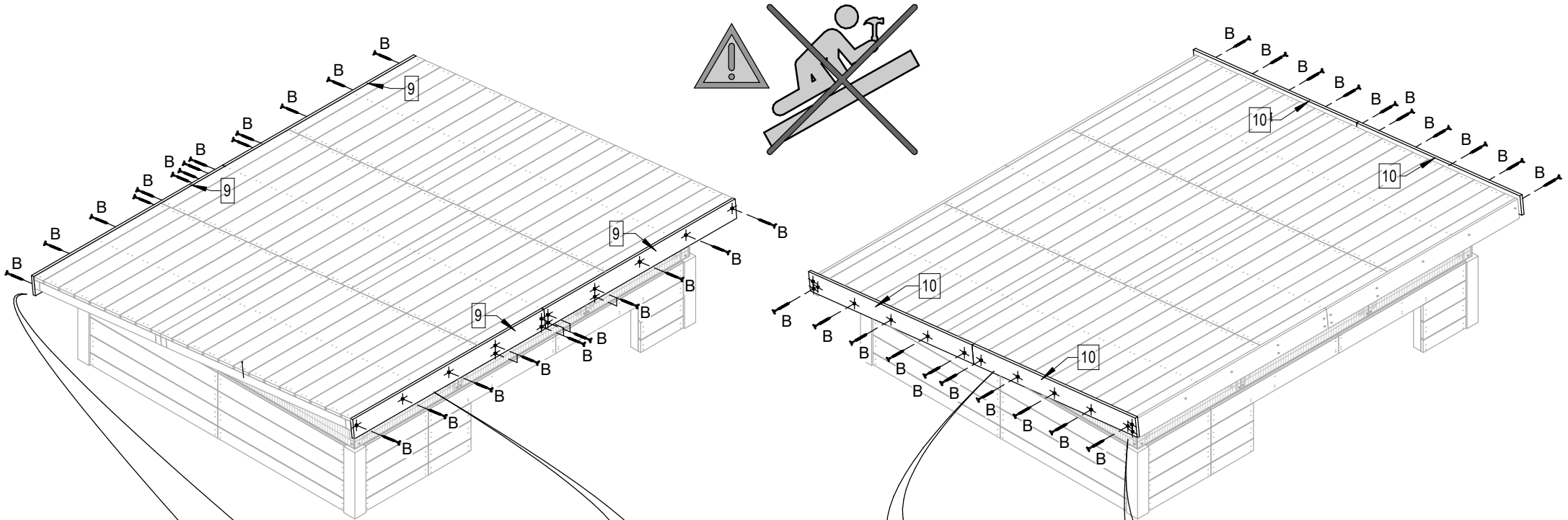
**K18**



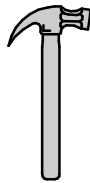
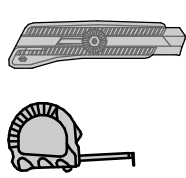
Ø3


**B** 3.5x35 x56

**upyard™**

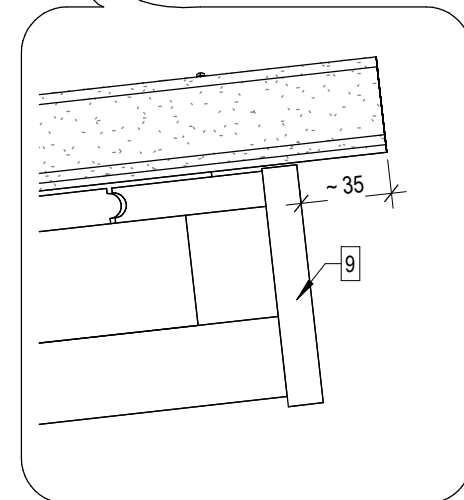
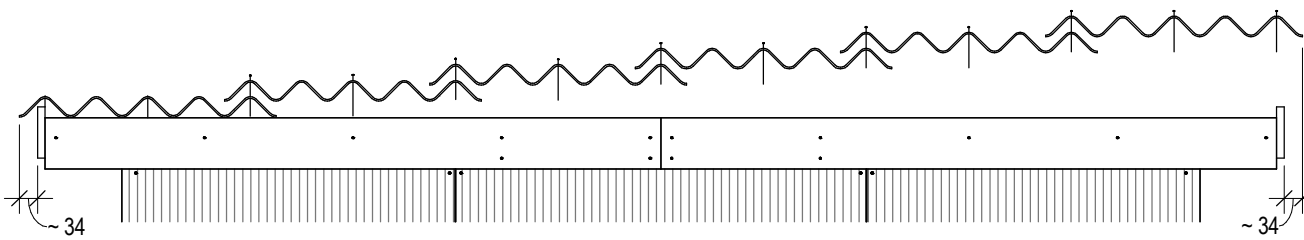
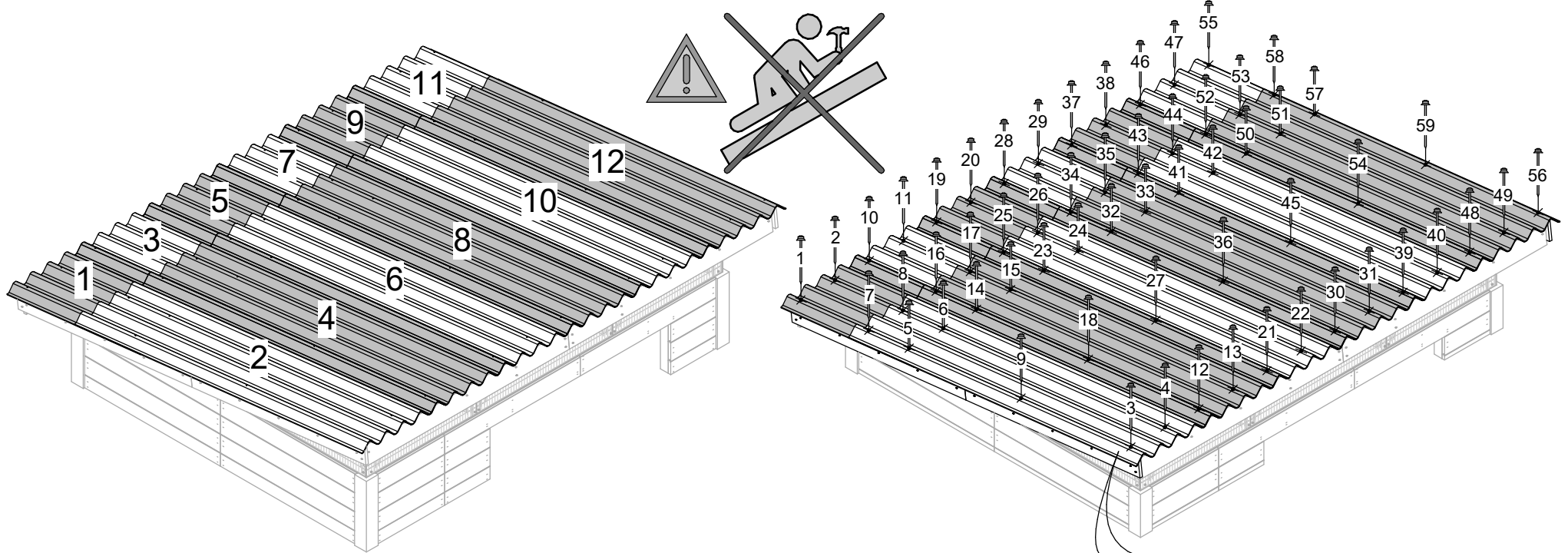


**K19**

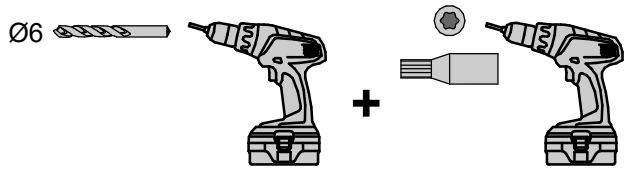



G   
3x75 x60


**upyard™**

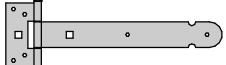


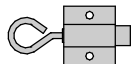
**K20**



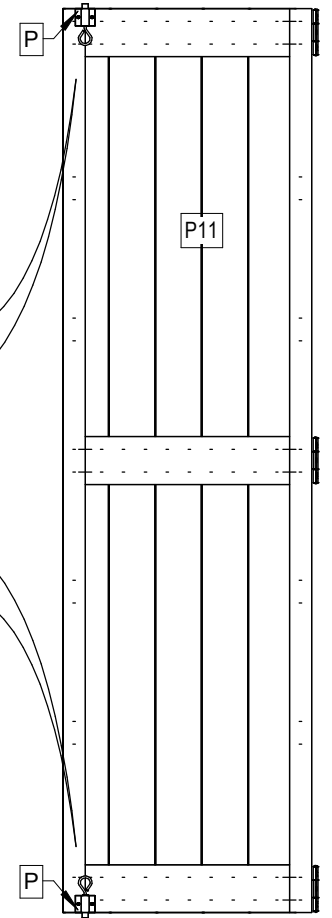
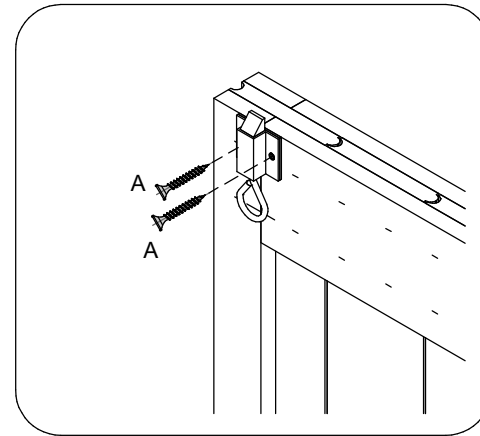
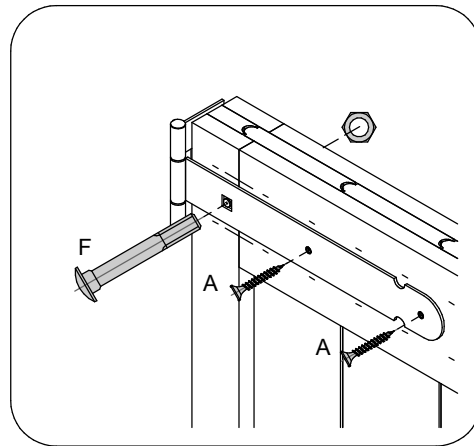
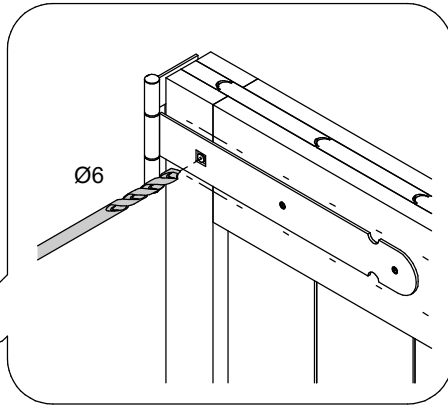
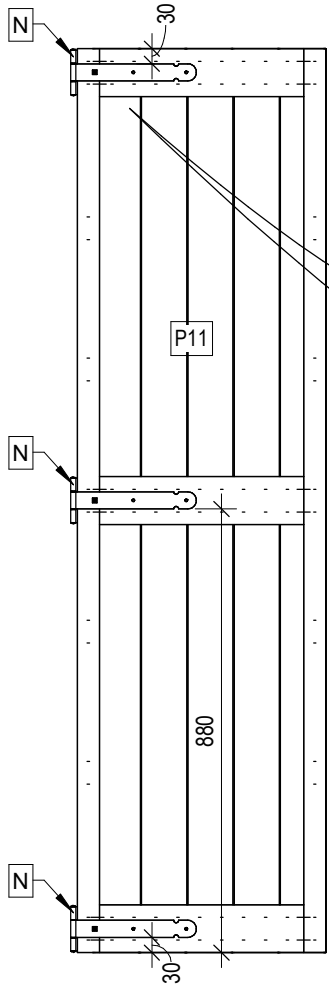
A  3.5x25 x16

F  M6x60 x6

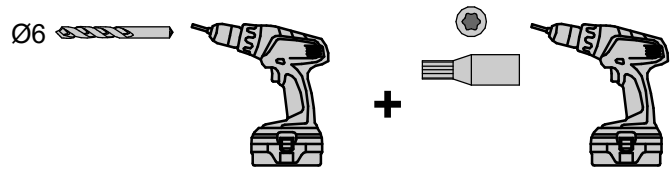
N  x6



P  x2

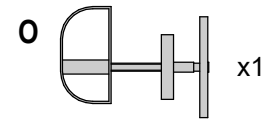
**upyard™**



**K21**

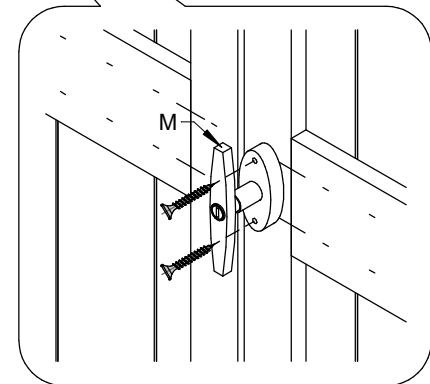
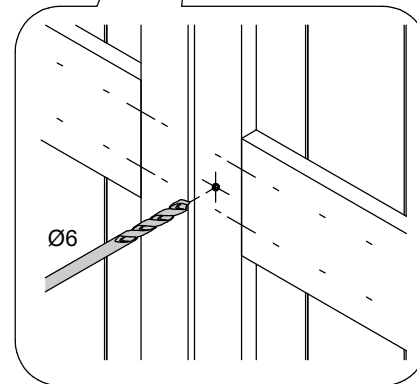
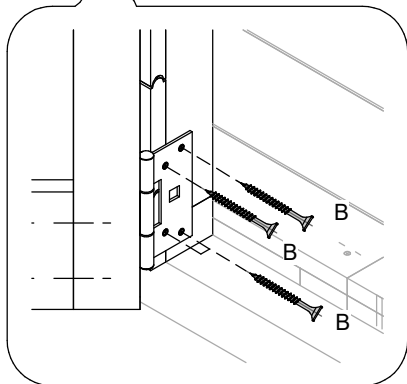
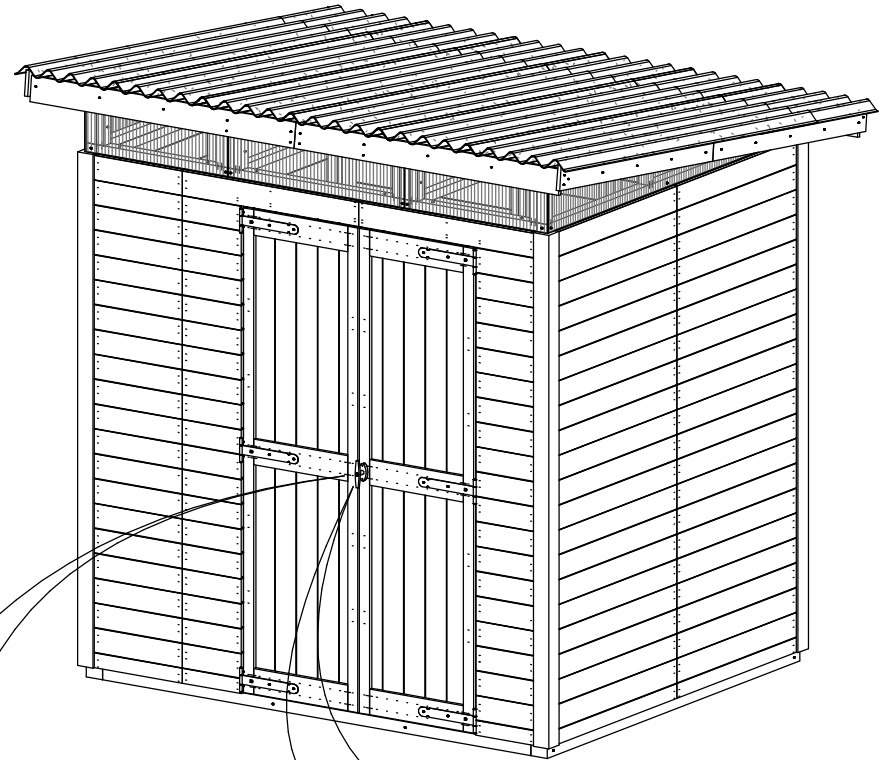
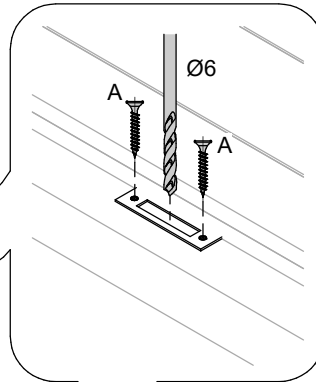
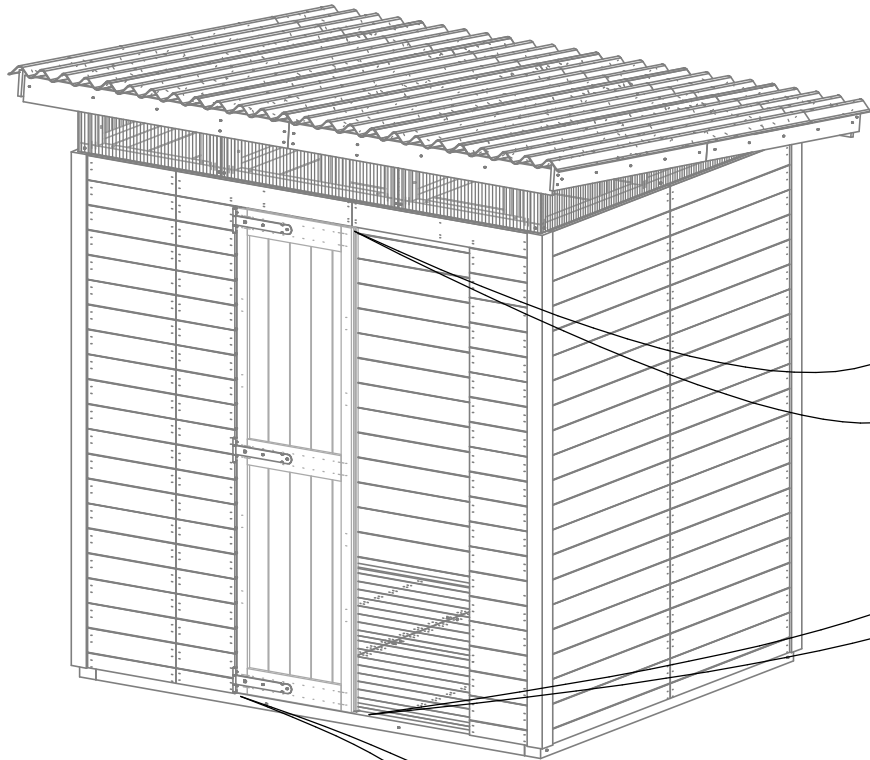


A  3.5x25 x4  
 B  3.5x35 x24



Q  x2

**upyard™**



**K22**