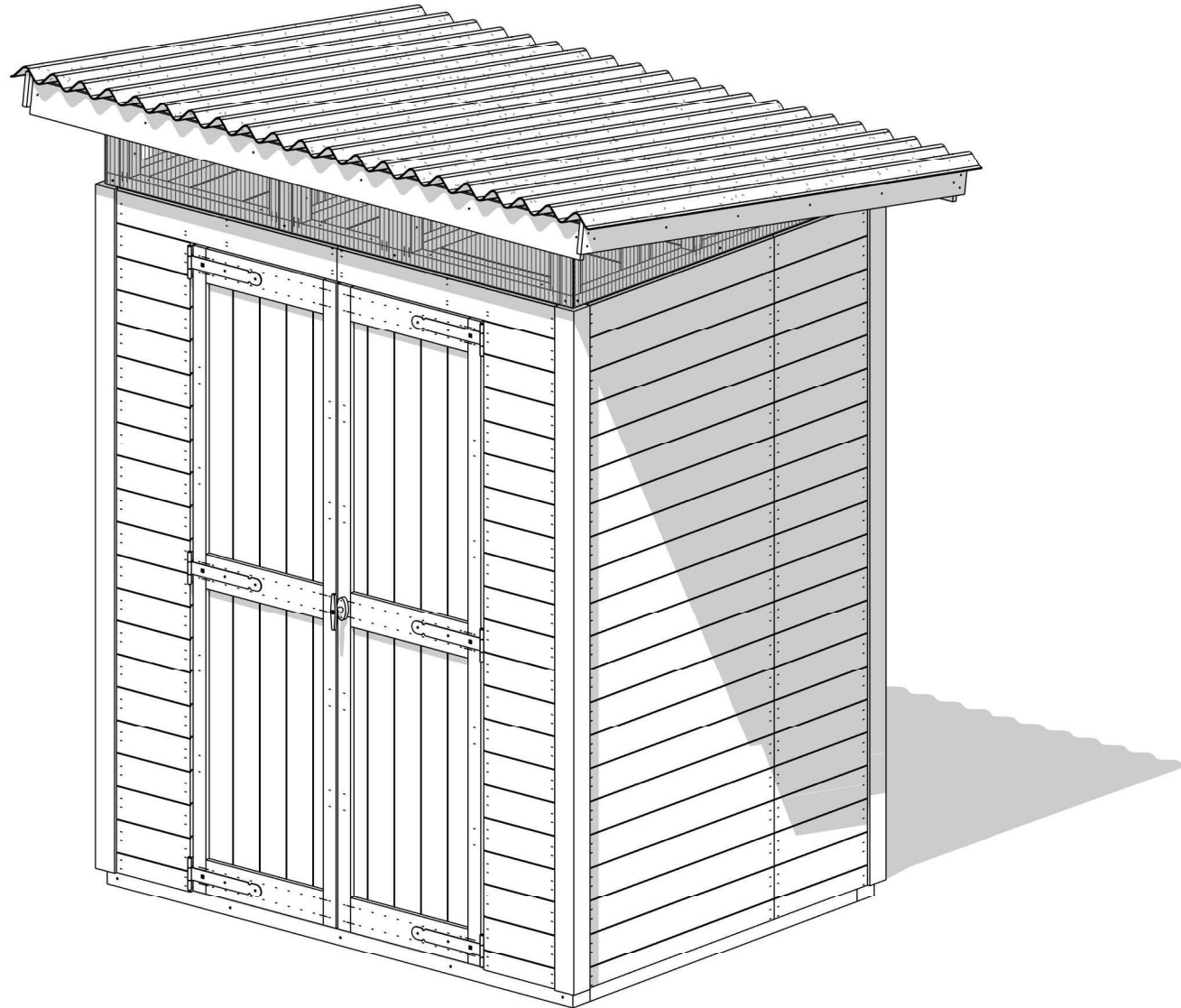
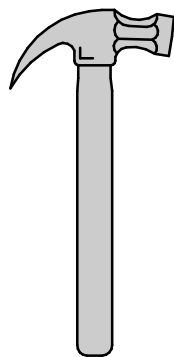
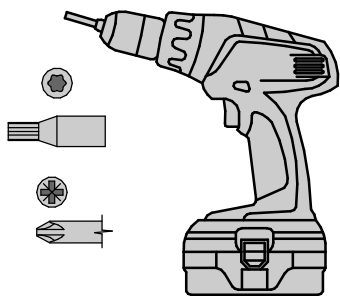
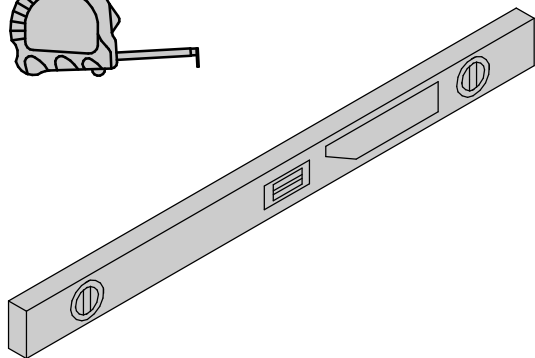
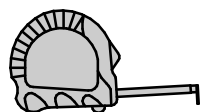
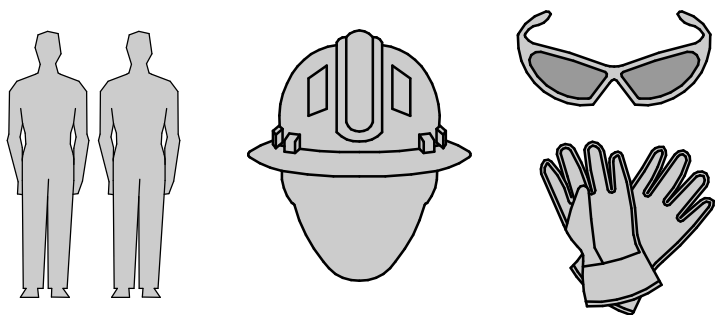


STRONGBOX M

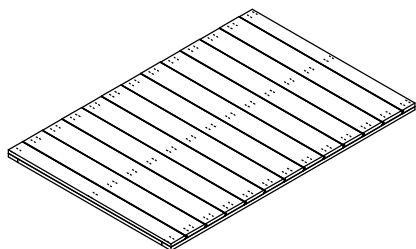
upyard™





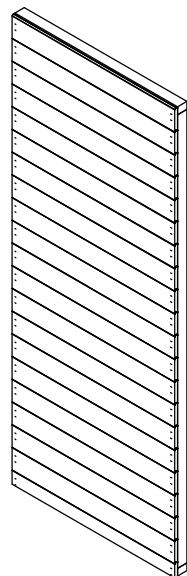
P1 - 760 x 1140 x 28

x2



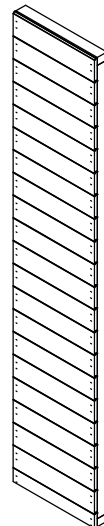
P2 - 760 x 1900 x 58

x4



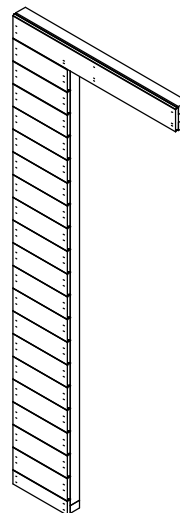
P3 - 380 x 1900 x 58

x2



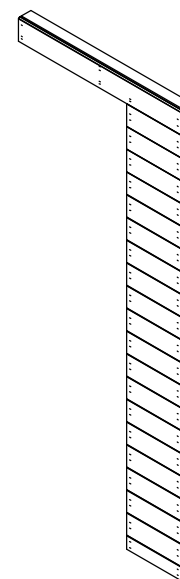
P4L - 760 x 1900 x 58

x1



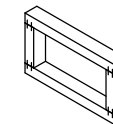
P4R - 760 x 1900 x 58

x1



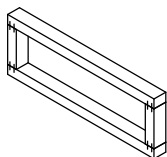
P5 - 355 x 194 x 44

x1



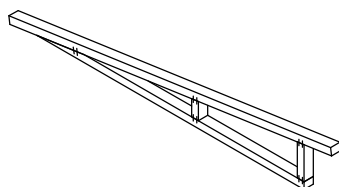
P6 - 547 x 194 x 44

x2



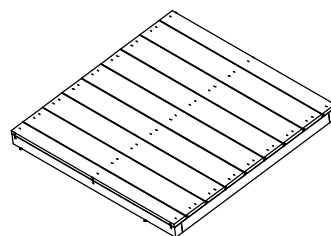
P7 - 1509 x 252 x 44

x4



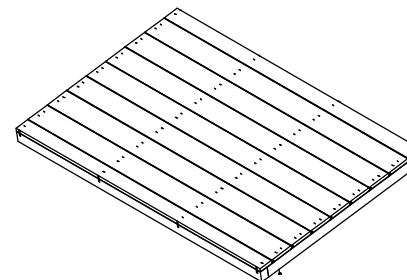
P8 - 760 x 760 x 58

x2



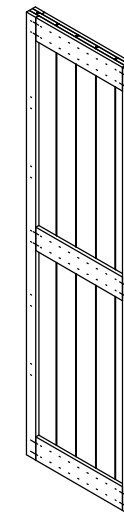
P9 - 1140 x 760 x 58

x2

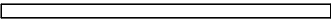


P10 - 493 x 1793 x 42

x2



K2

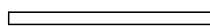
1 - 44 x 70 x 1088
x5 

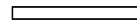
2 - 44 x 70 x 1608
x2 

3 - 66 x 66 x 1900
x4 

4 - 32 x 44 x 1450
x1 


5 - 14 x 95 x 1518
x1 


6 - 32 x 44 x 547
x2 


7 - 32 x 44 x 335
x1 


8 - 14 x 95 x 1900
x2 


9 - 14 x 95 x 1580
x2 

A Ø3.5x25-TX15 
x20


B Ø3.5x35-TX15 
x58

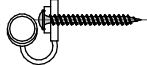
C Ø4x50-TX20 
x78

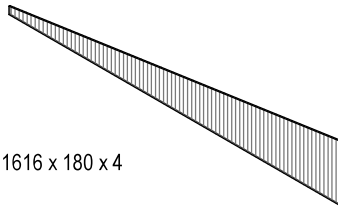
D Ø5x70-TX25 
x52

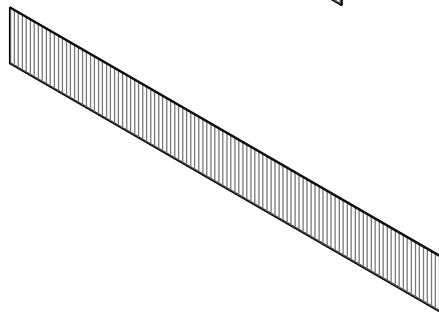
E Ø5x120-TX25 
x10

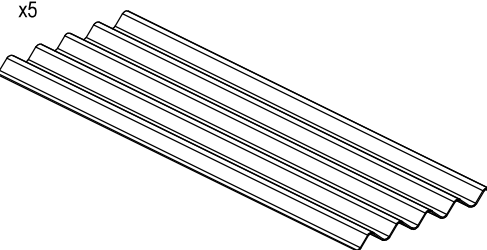
F M6x60 
x8

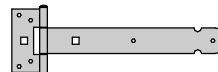
G Ø3x75 
x34

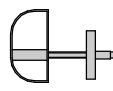
H Ø4.5x45(PC) 
x18

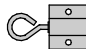
I 1242 x 210 x 4
x2 

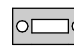
J 1616 x 180 x 4
x1 

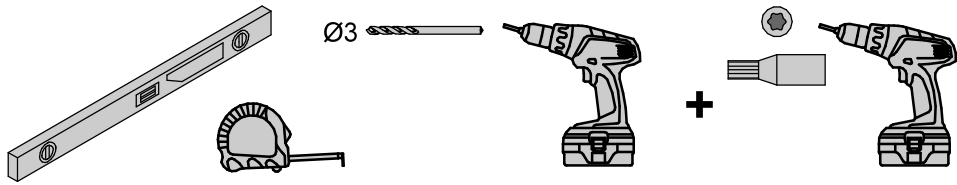
K 1620 x 475 x 35
x5 

L 
x6

M 
x1

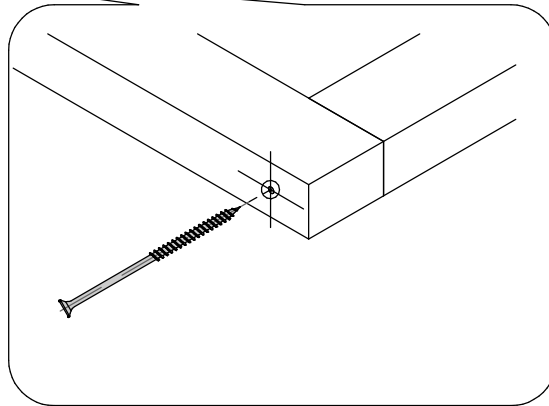
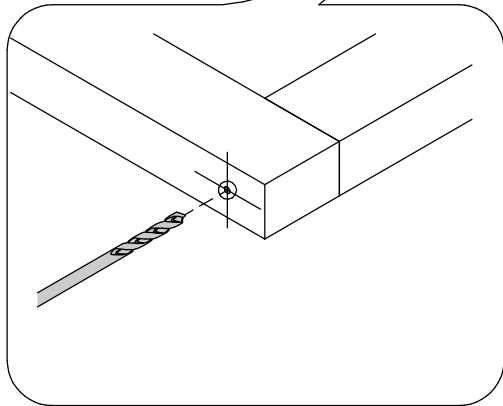
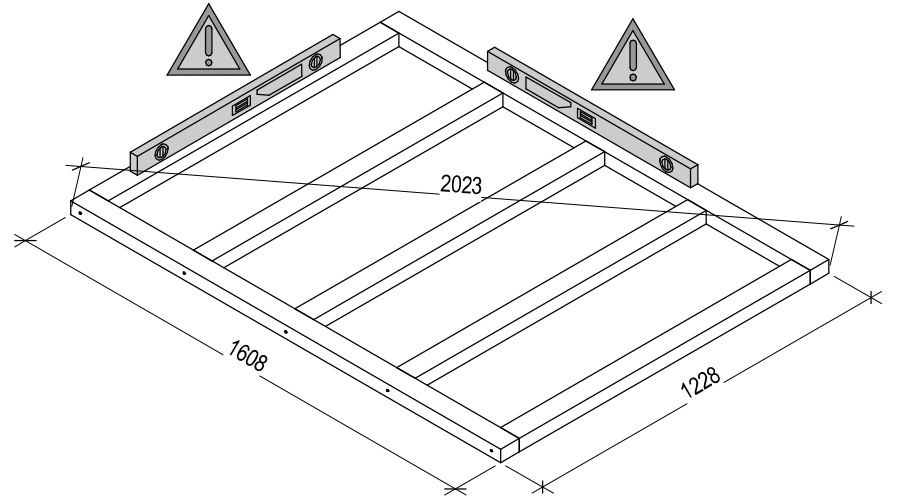
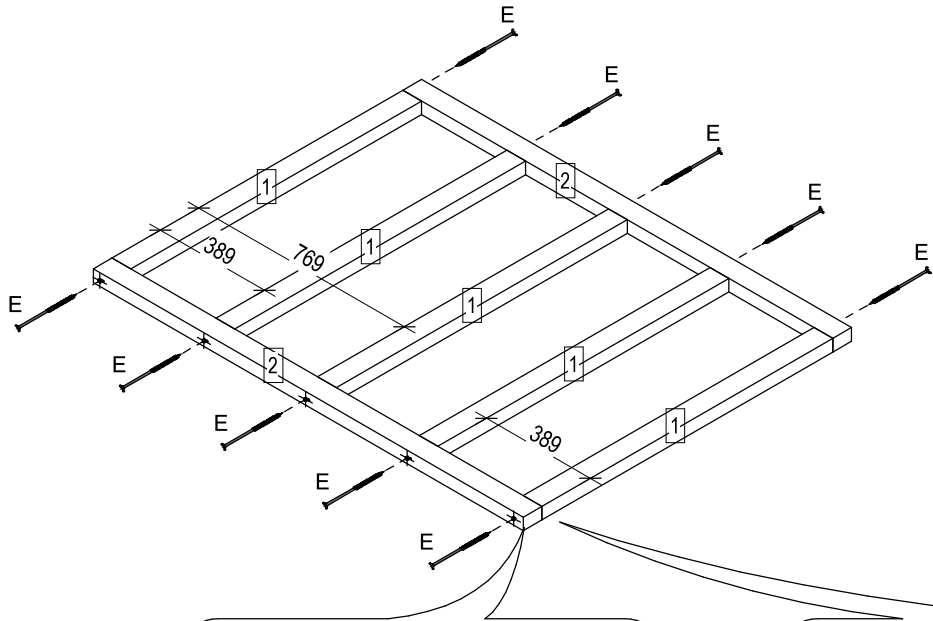
N 
x2

O 
x2



E 5x120 x10

upyard™

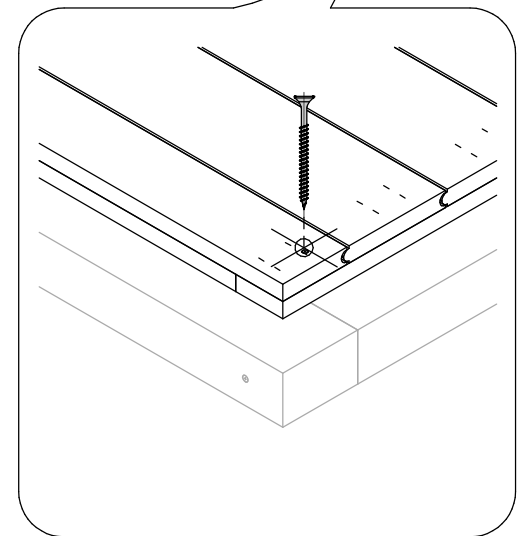
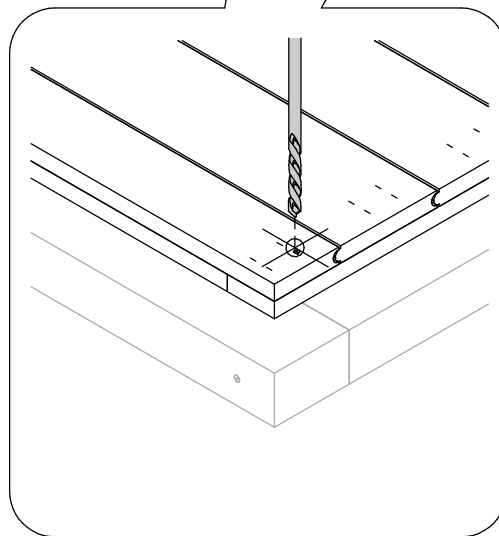
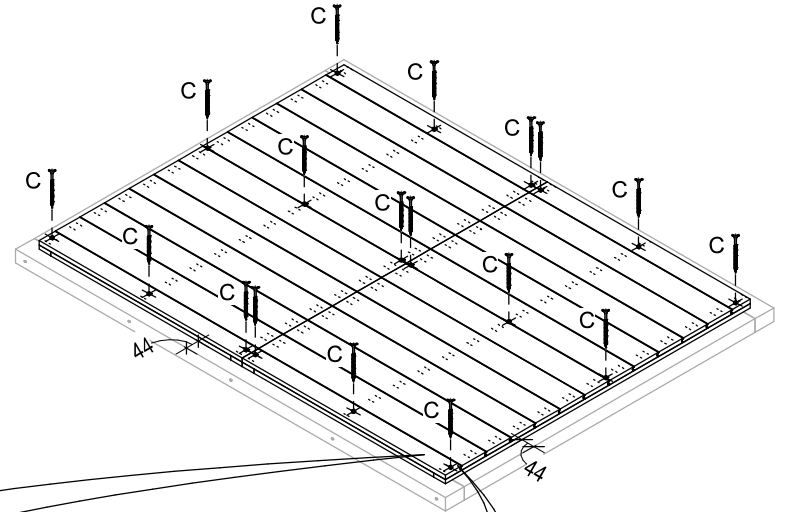
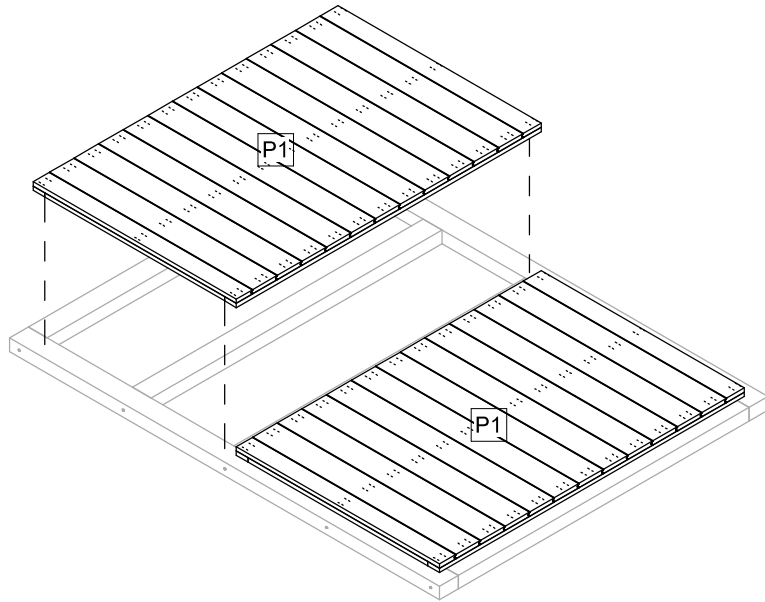


K5

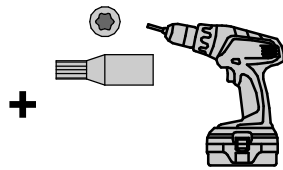
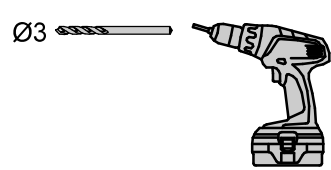


C
4x50 x18

upyard™

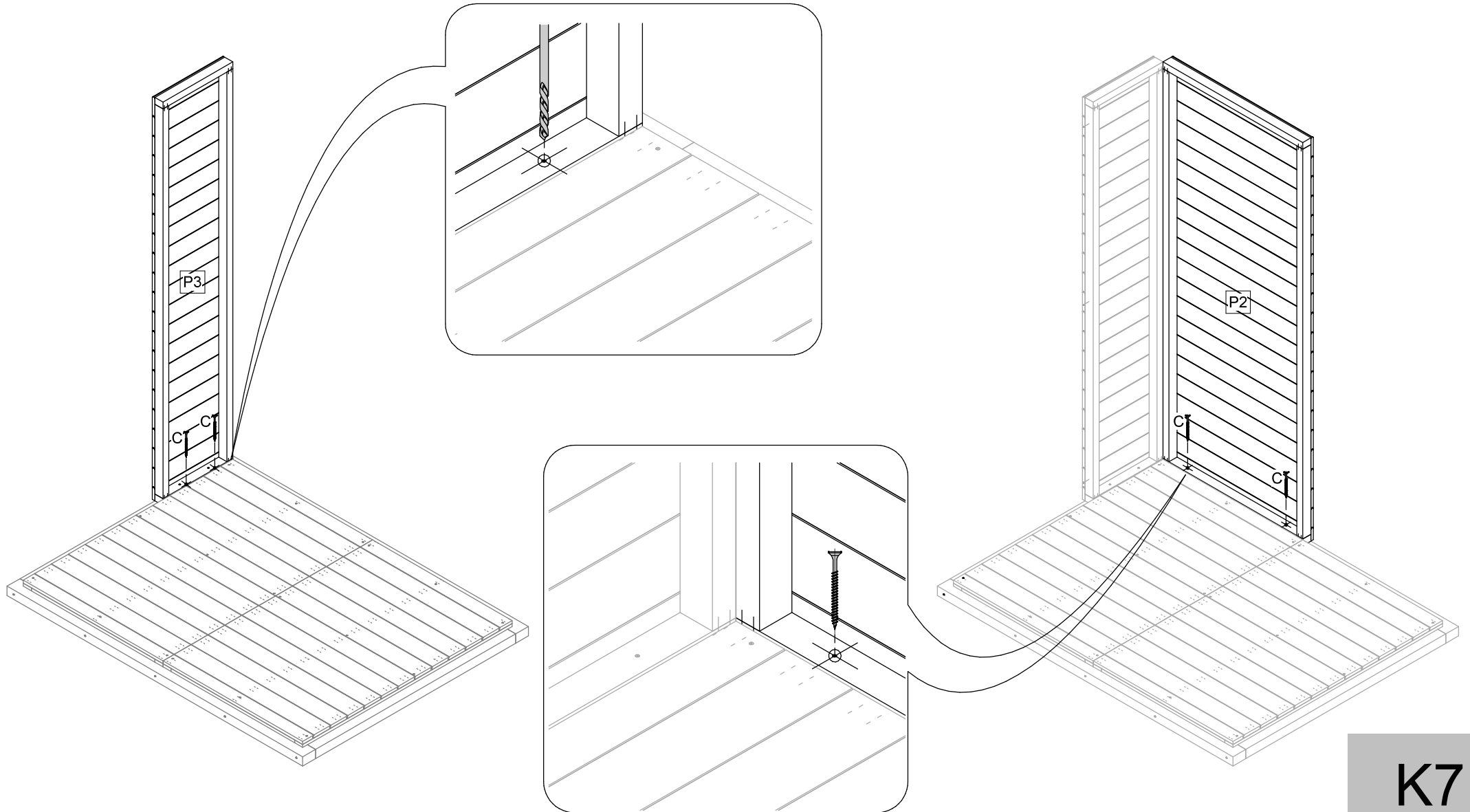


K6

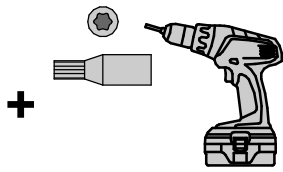
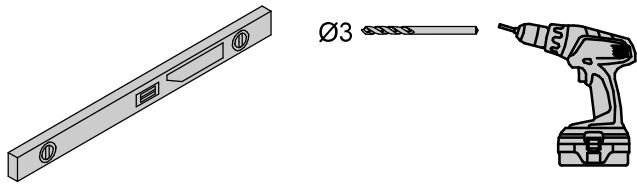


C
4x50 x4

upyard™



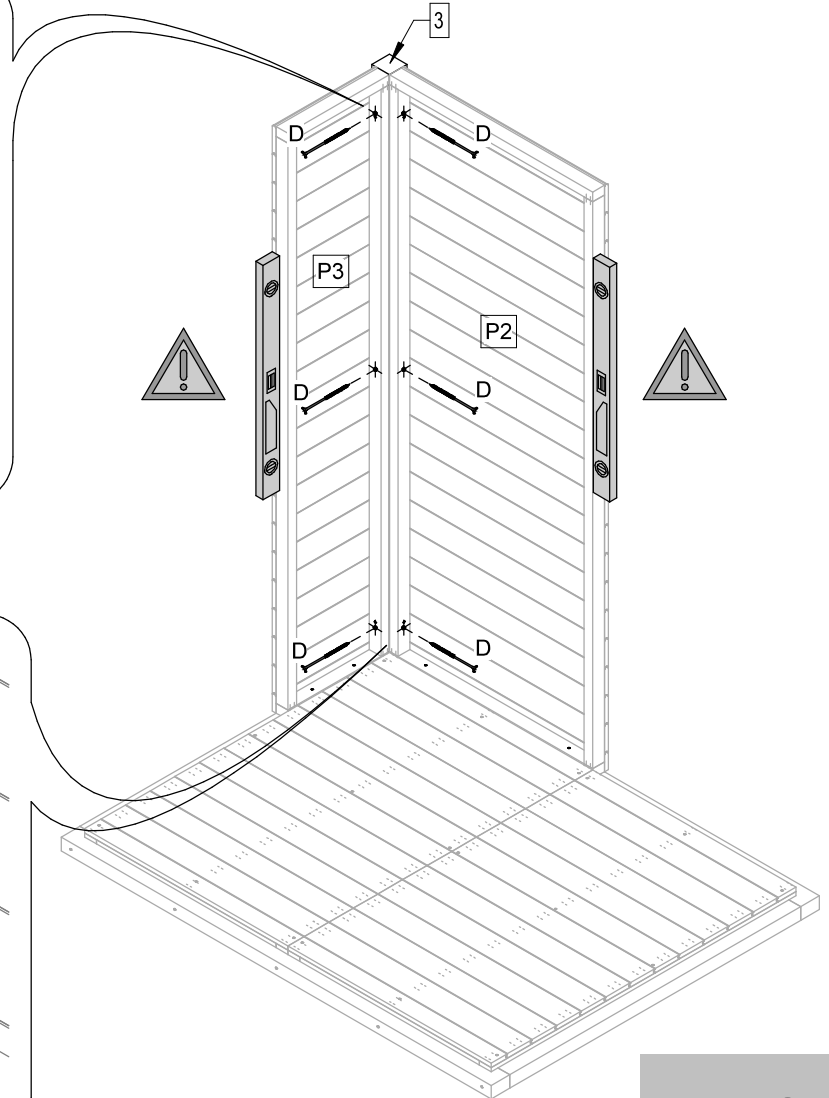
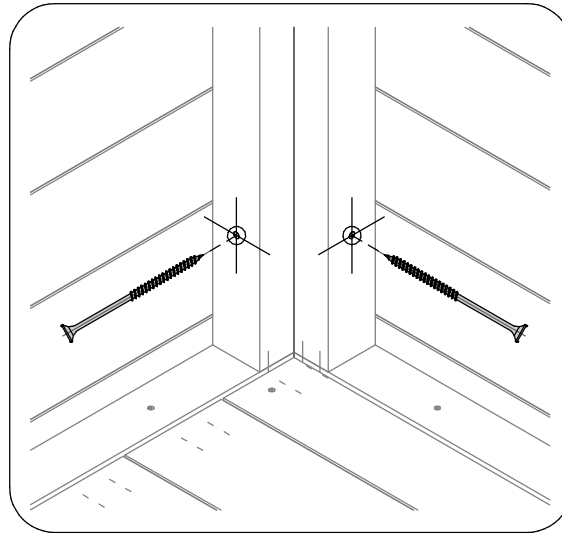
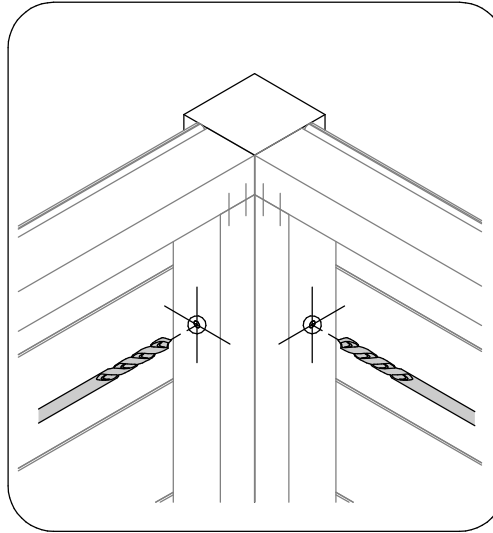
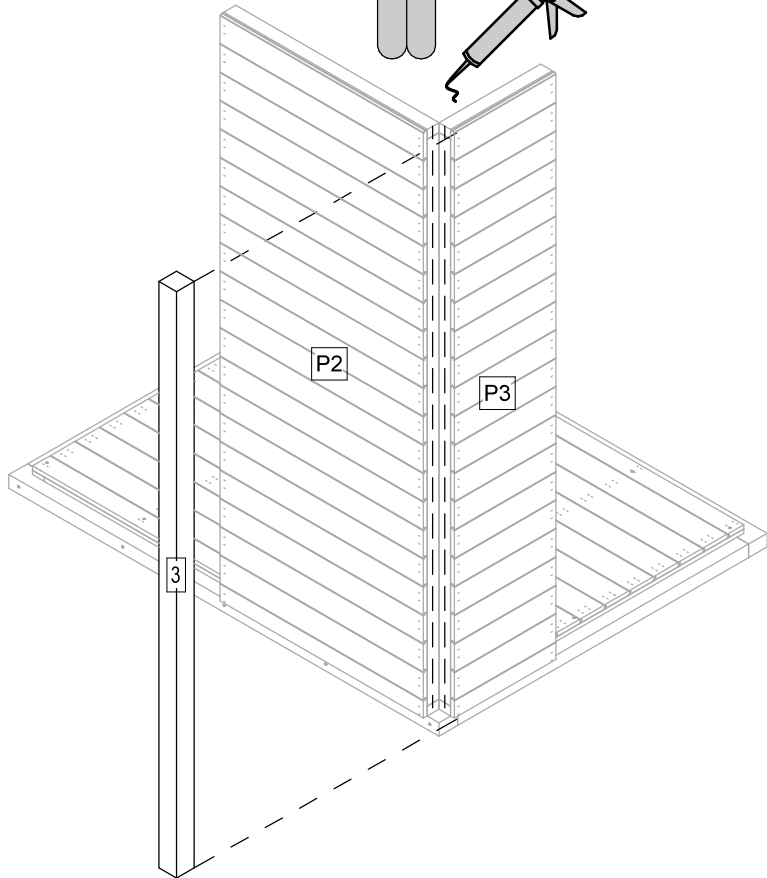
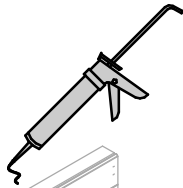
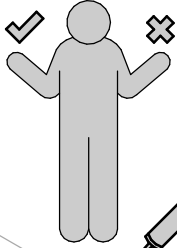
K7



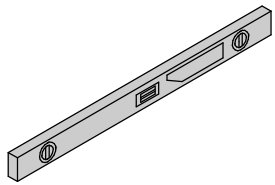
D
5x70 x6

upyard™

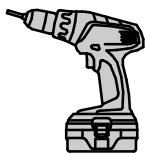
OPTIONAL



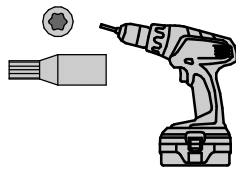
K8



Ø3



+

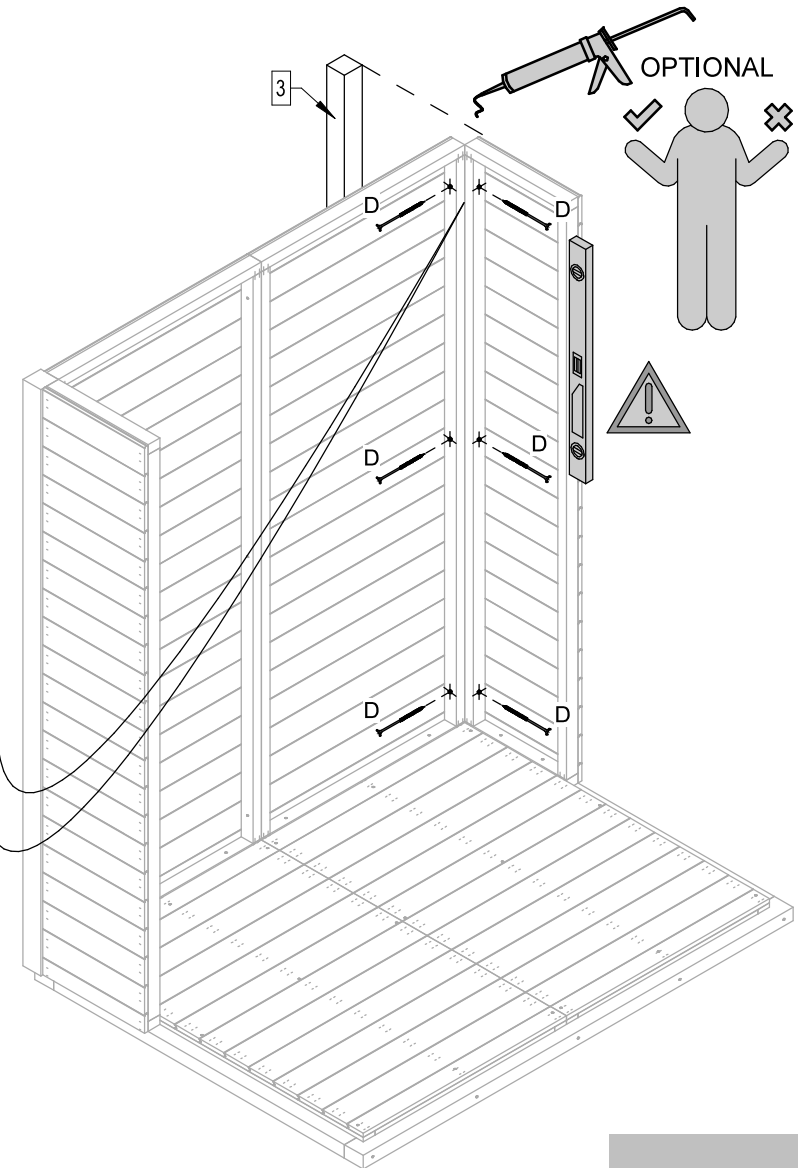
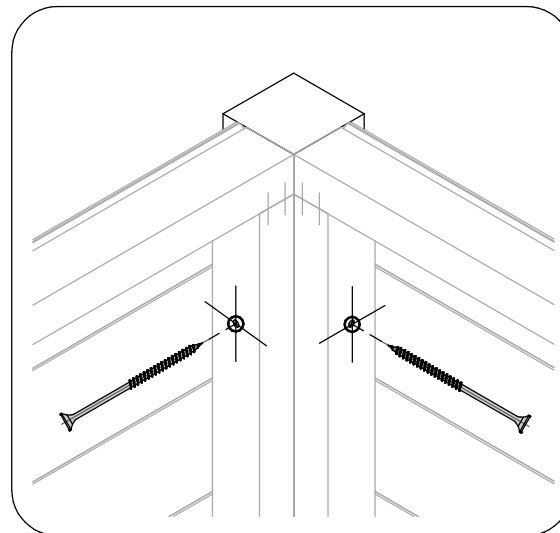
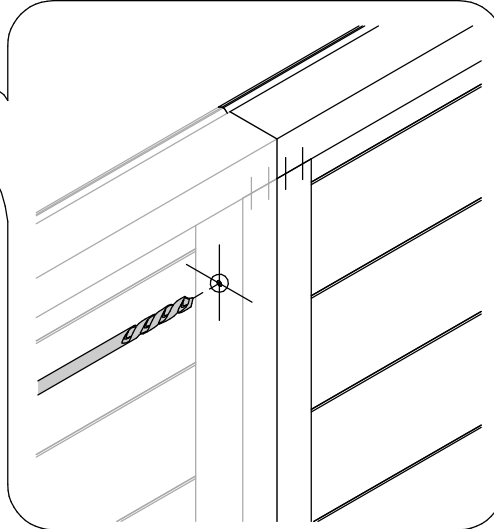
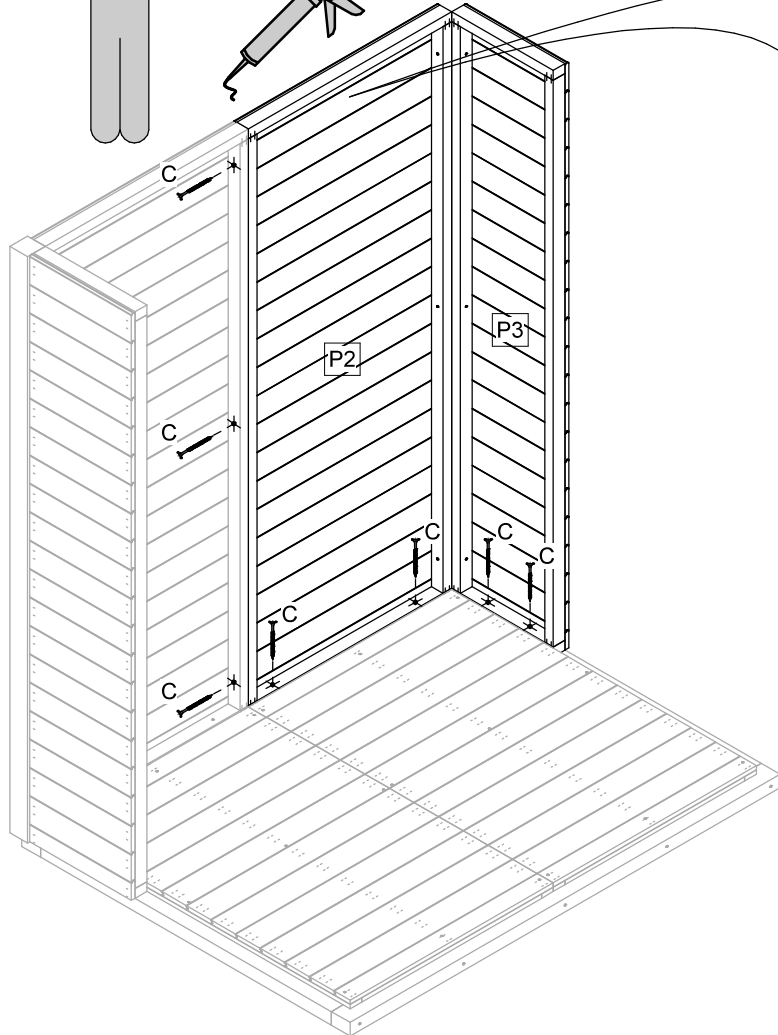
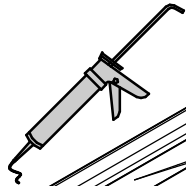
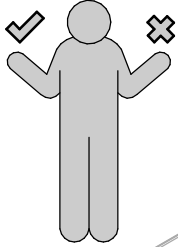


C
4x50 x7

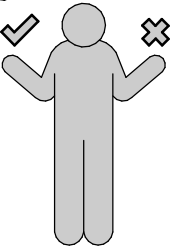
D
5x70 x6

upyard™

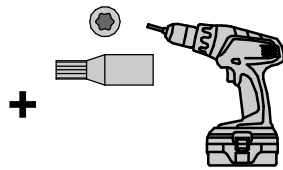
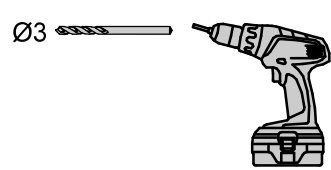
OPTIONAL



OPTIONAL



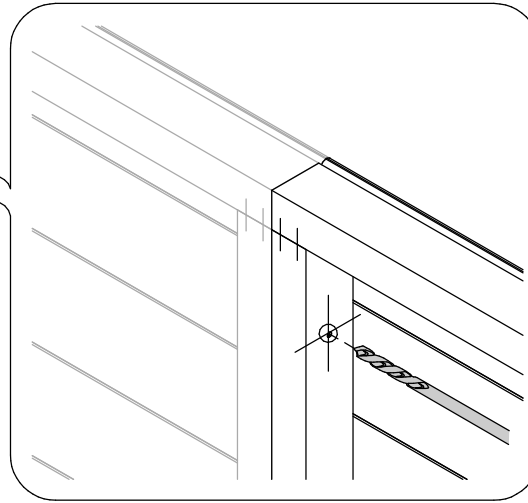
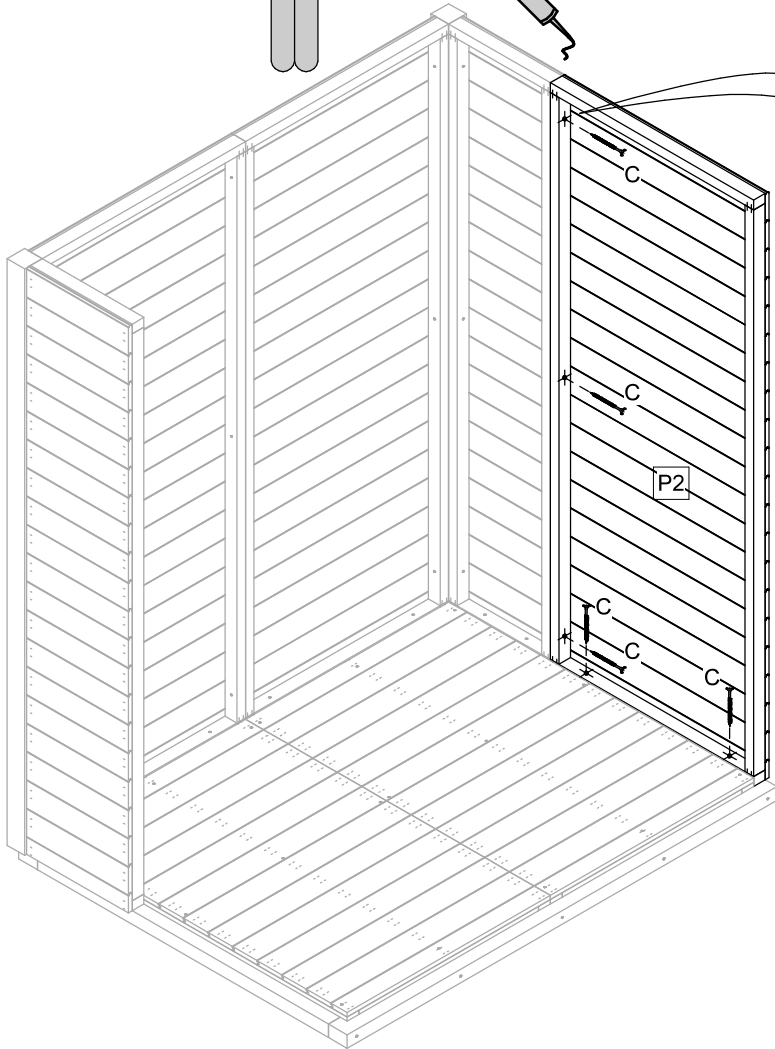
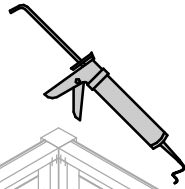
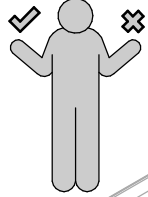
K9



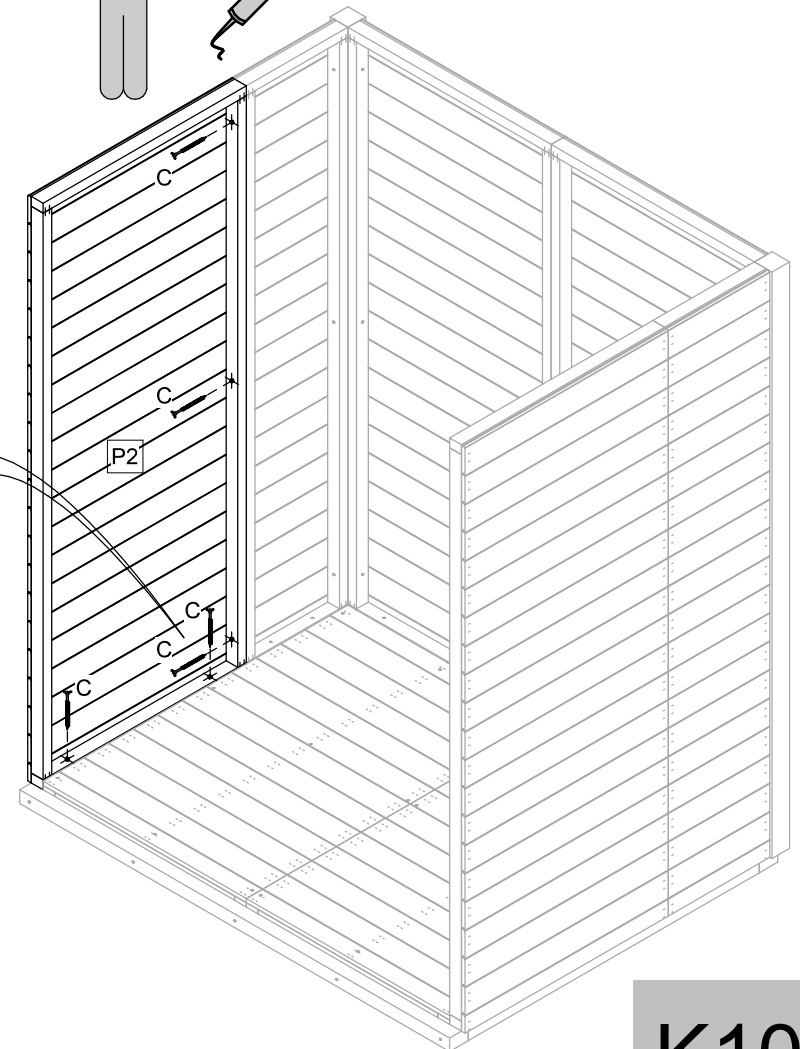
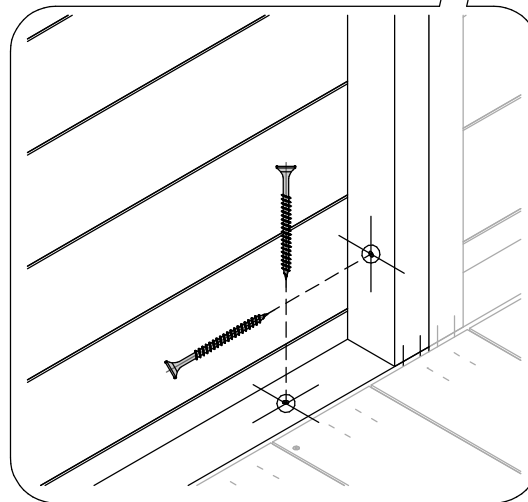
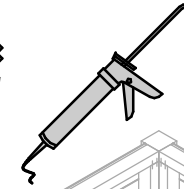
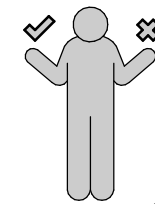
C
4x50 x10

upyard™

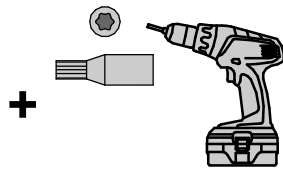
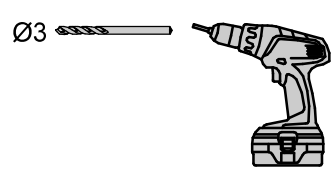
OPTIONAL





OPTIONAL



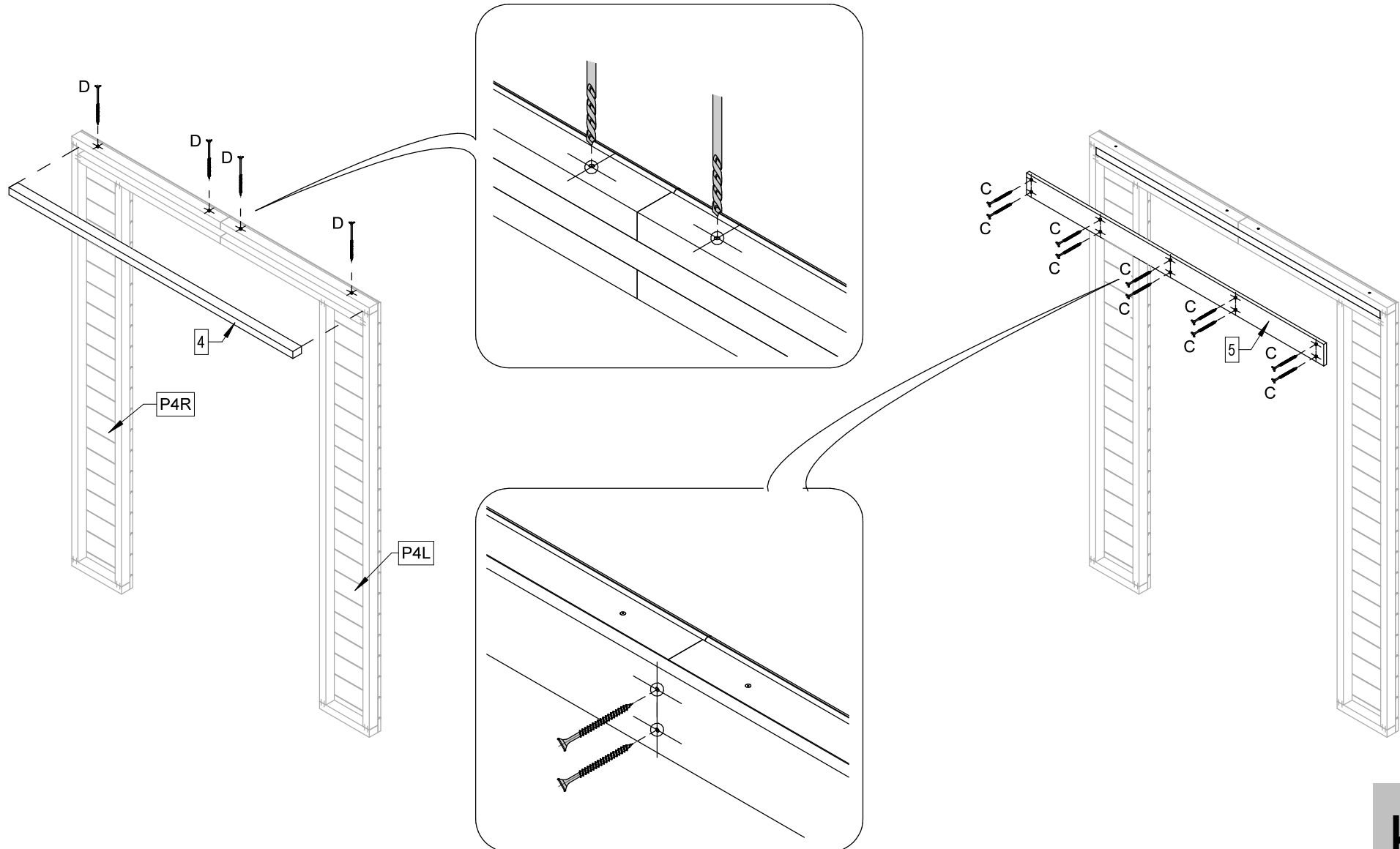
K10



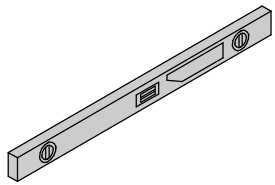
C  x10
4x50

D  x4
5x70

upyard™



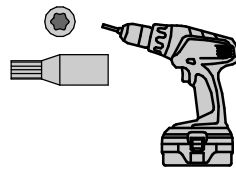
K11



Ø3



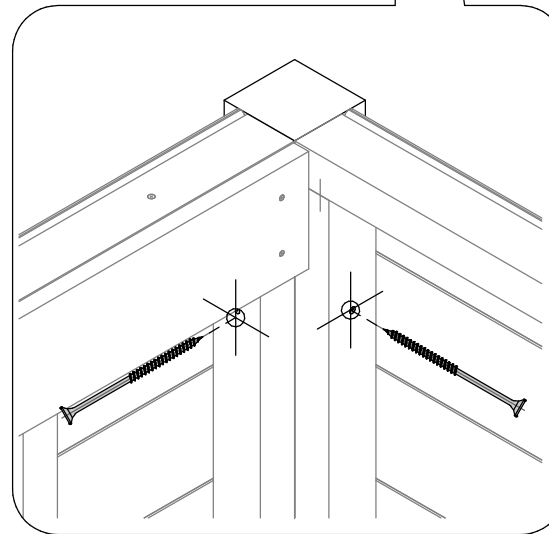
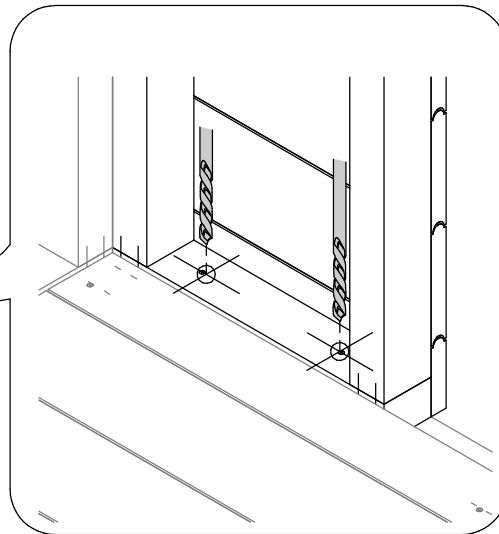
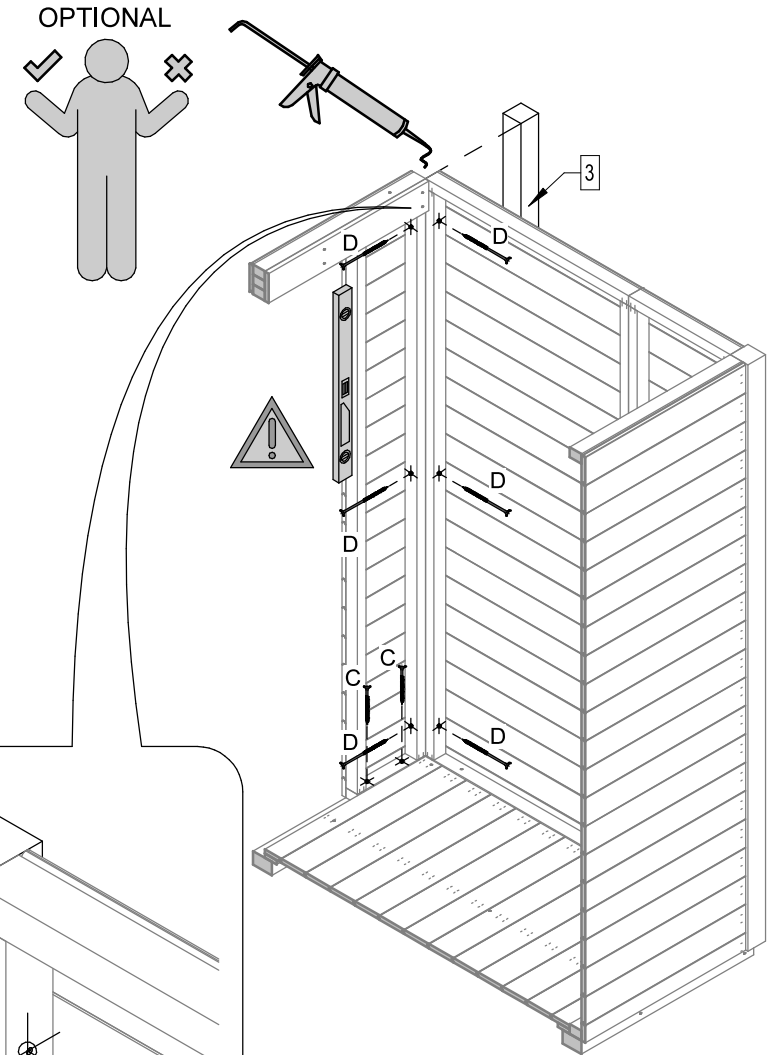
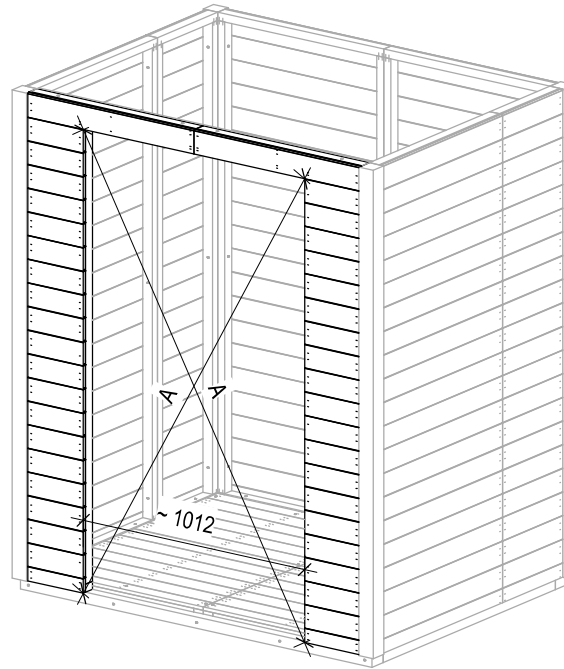
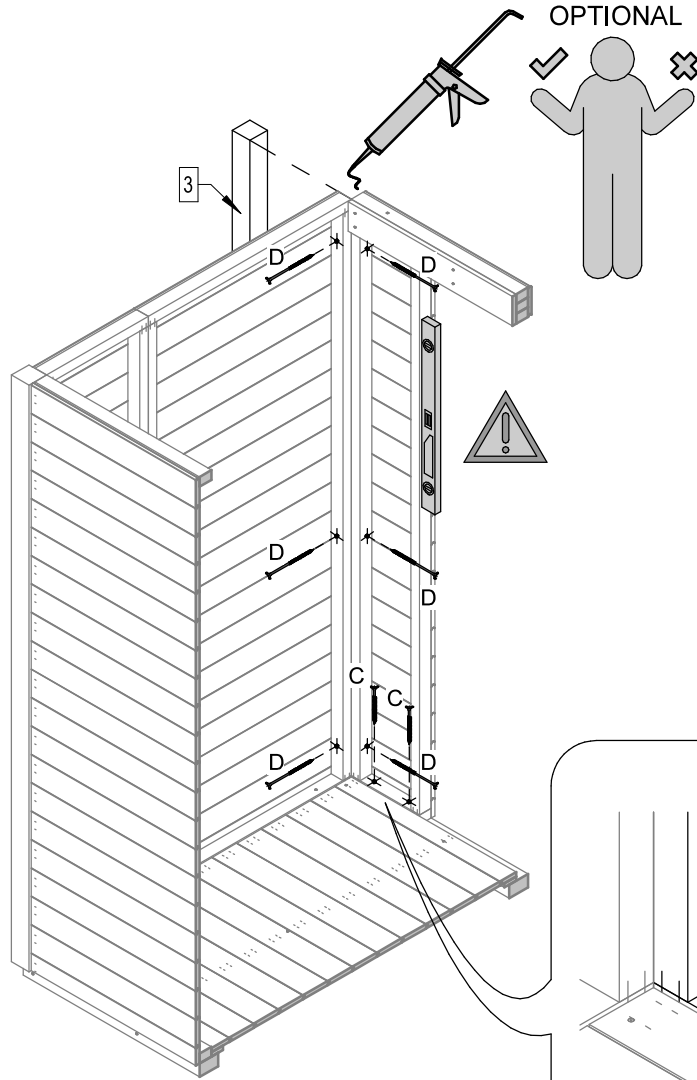
+



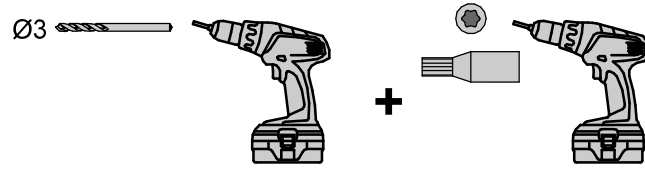
C 4x50 x4

D 5x70 x12

upyard™

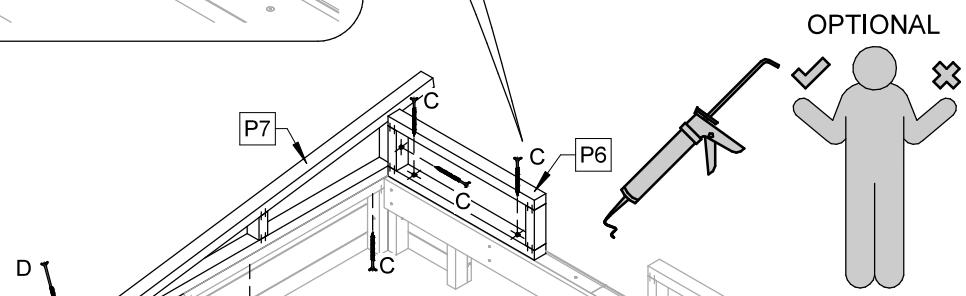
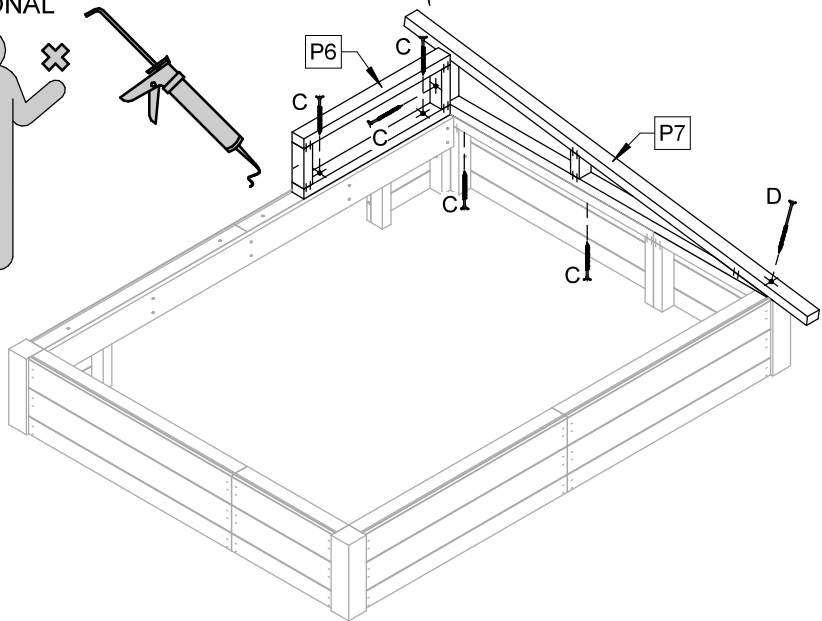
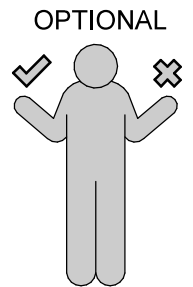
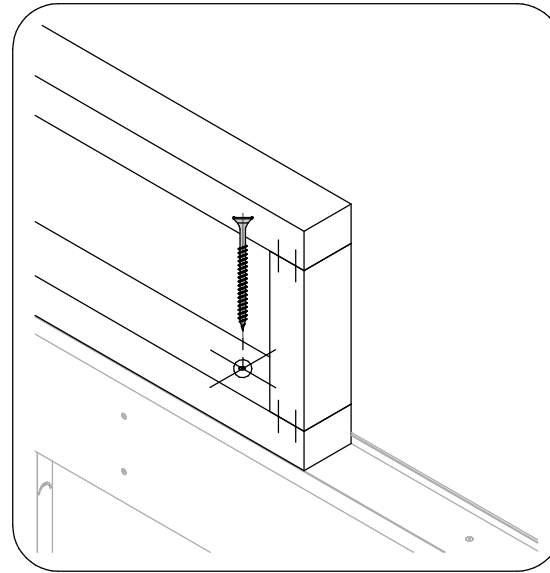
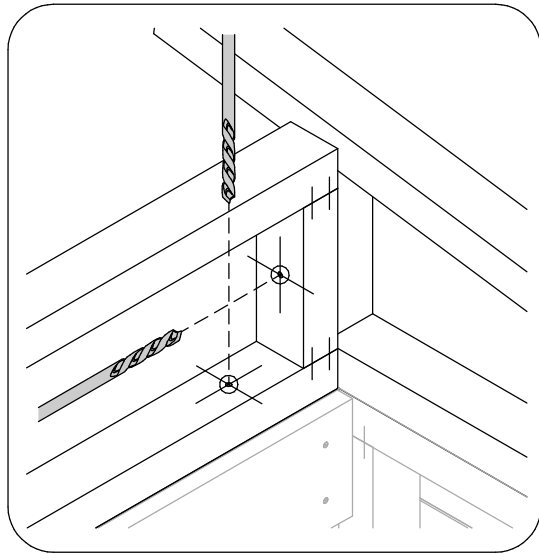


K12



- C 4x50 x10
- D 5x70 x2

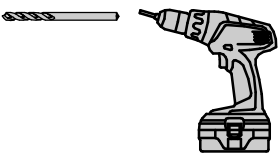
upyard™



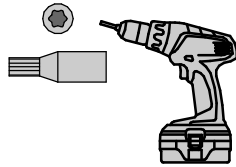
K13



Ø3



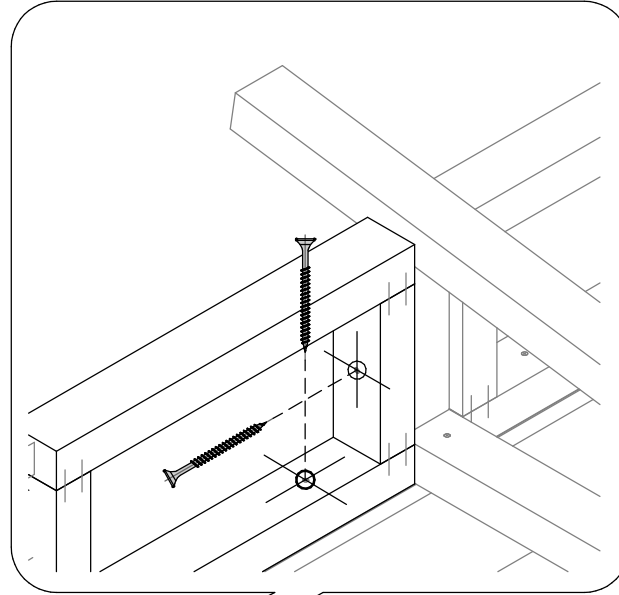
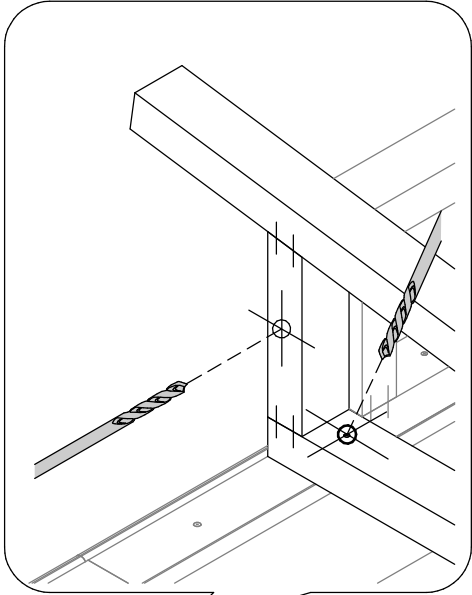
+



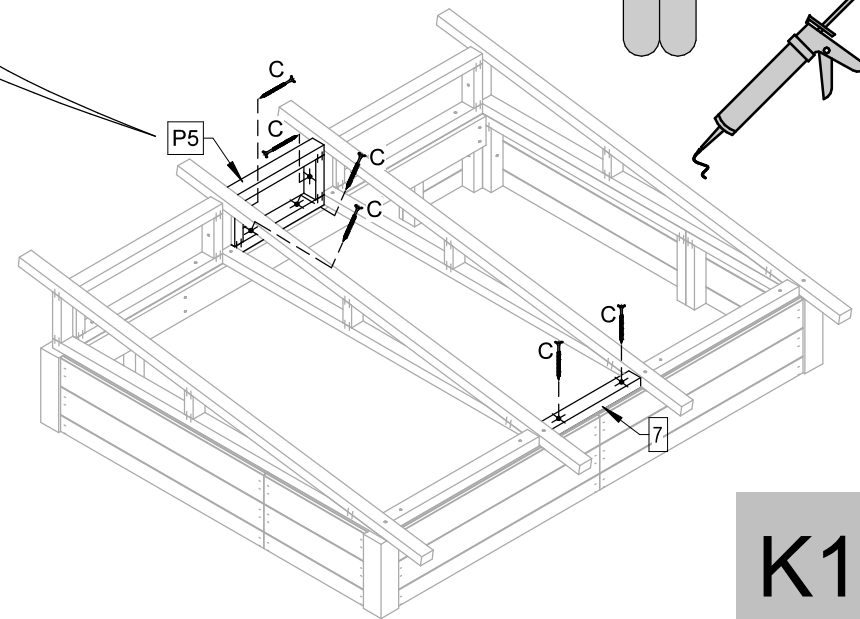
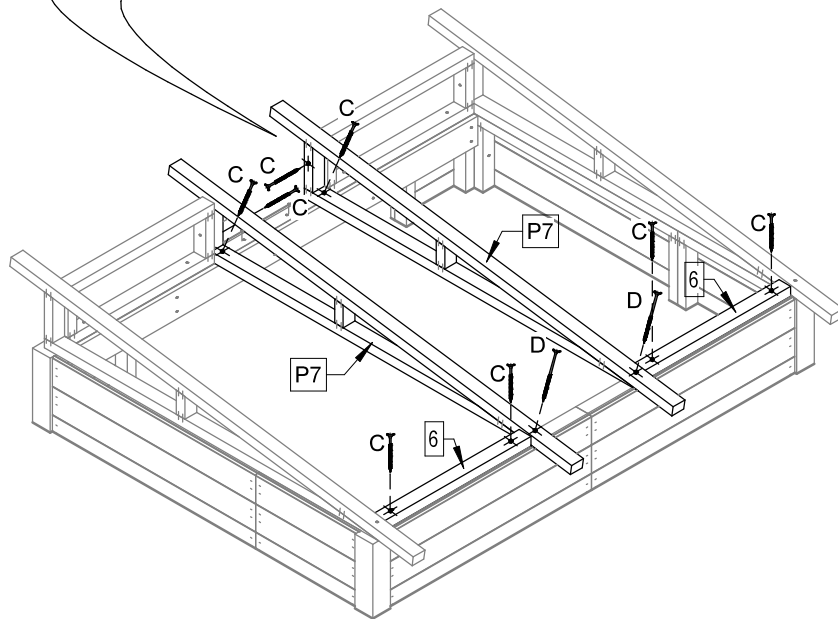
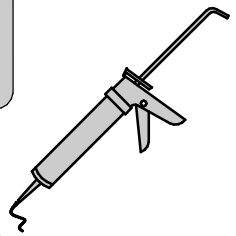
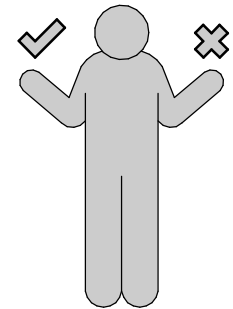
C 4x50 x14

D 5x70 x2

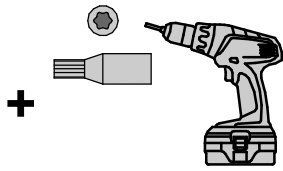
upyard™



OPTIONAL

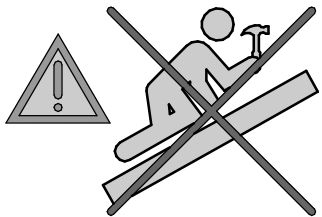
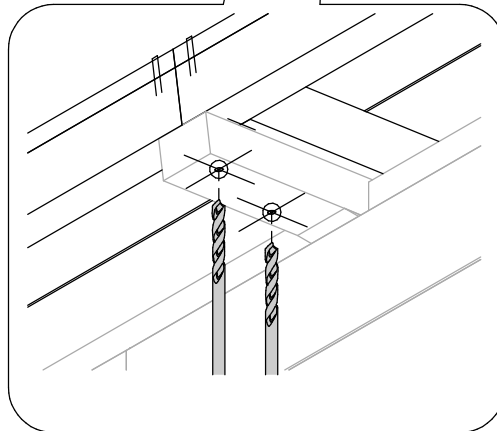
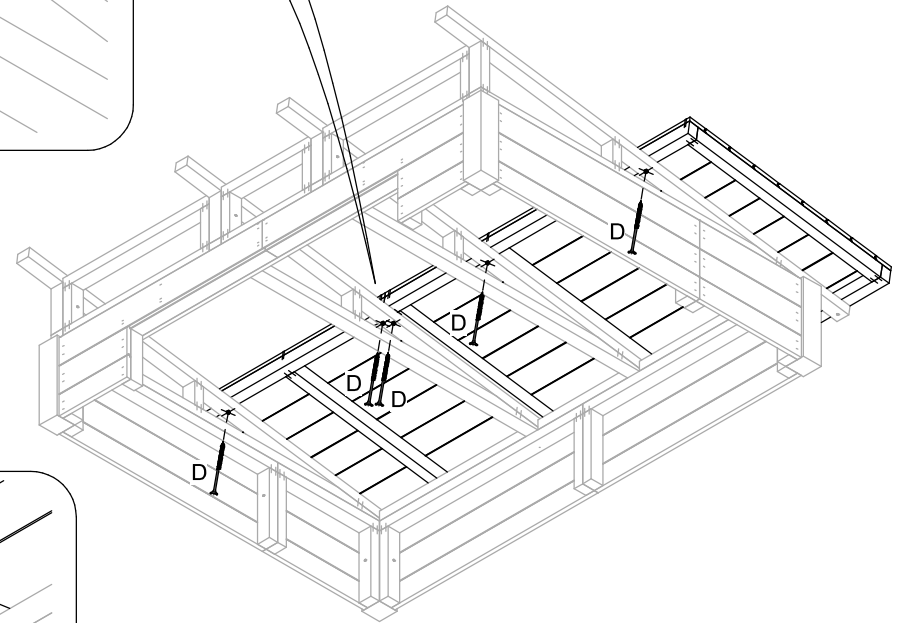
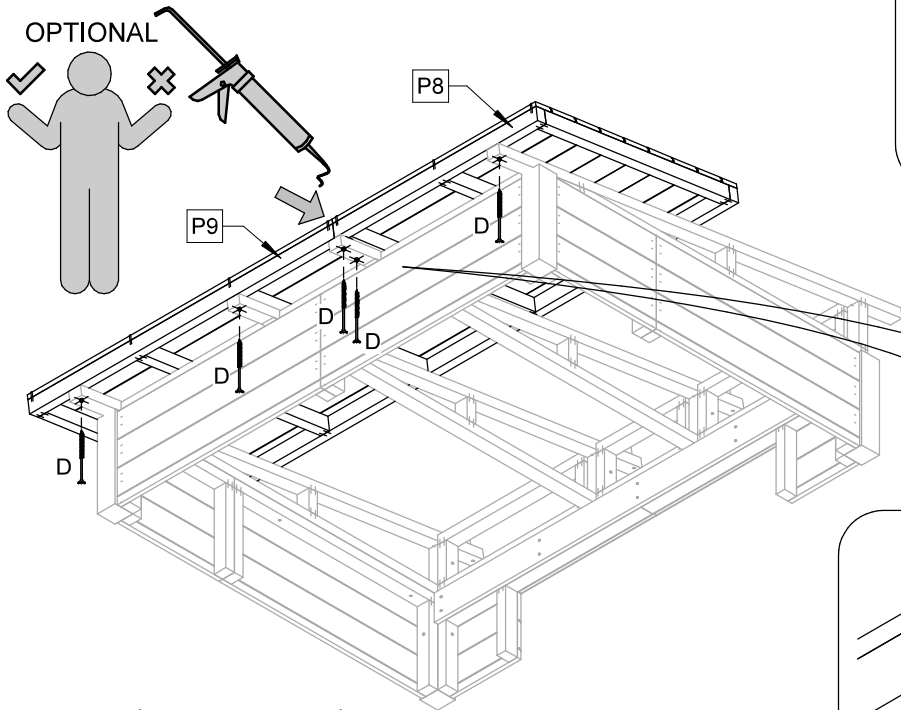
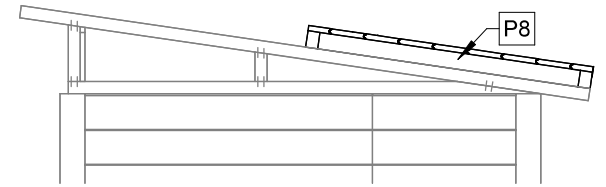
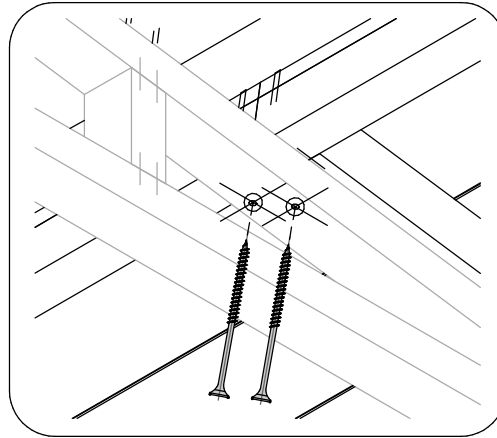
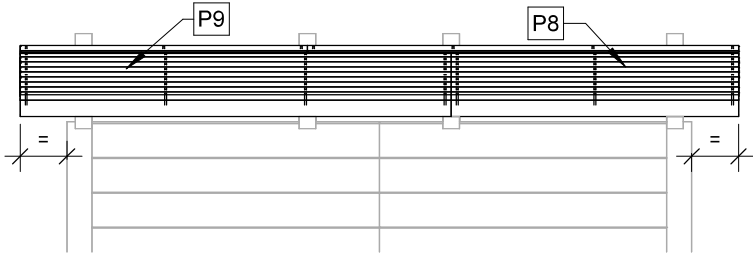


K14

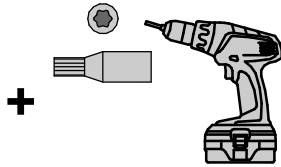
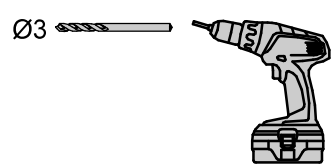


D 5x70 x10

upyard™

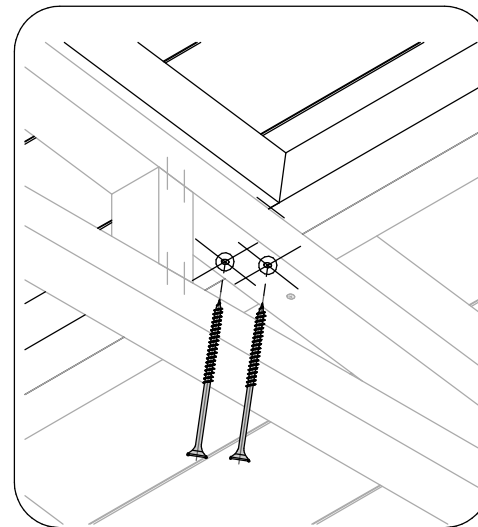
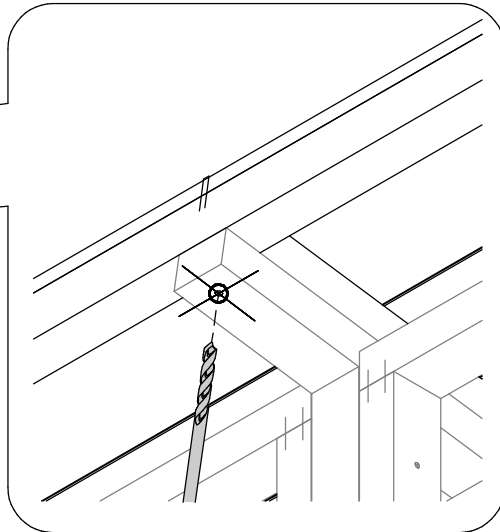
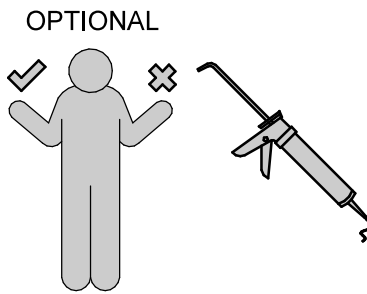
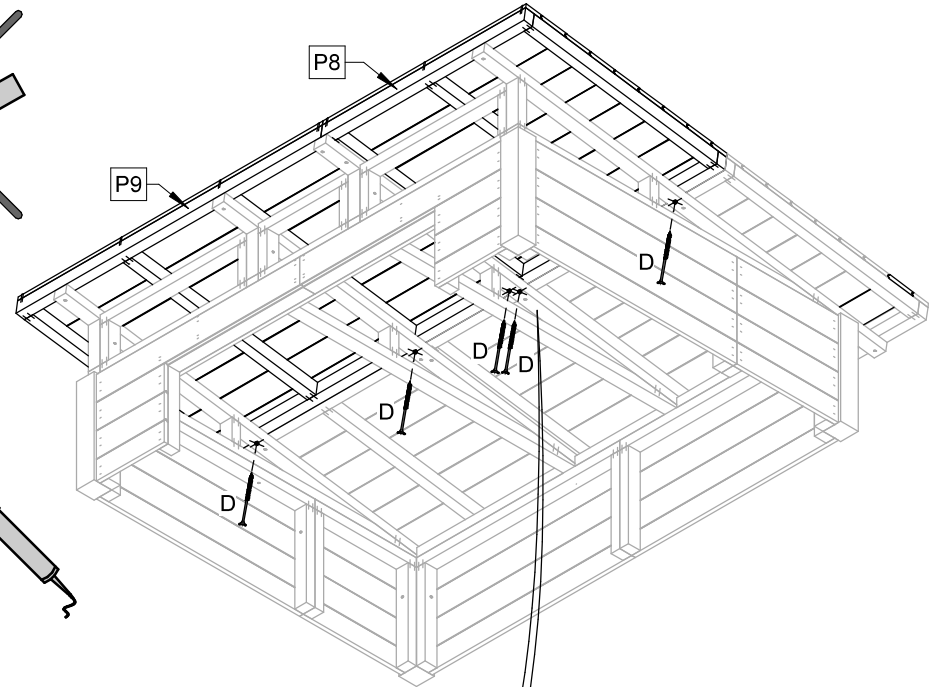
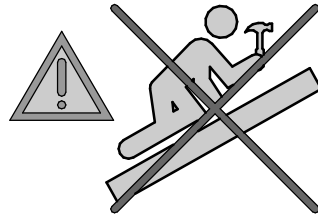
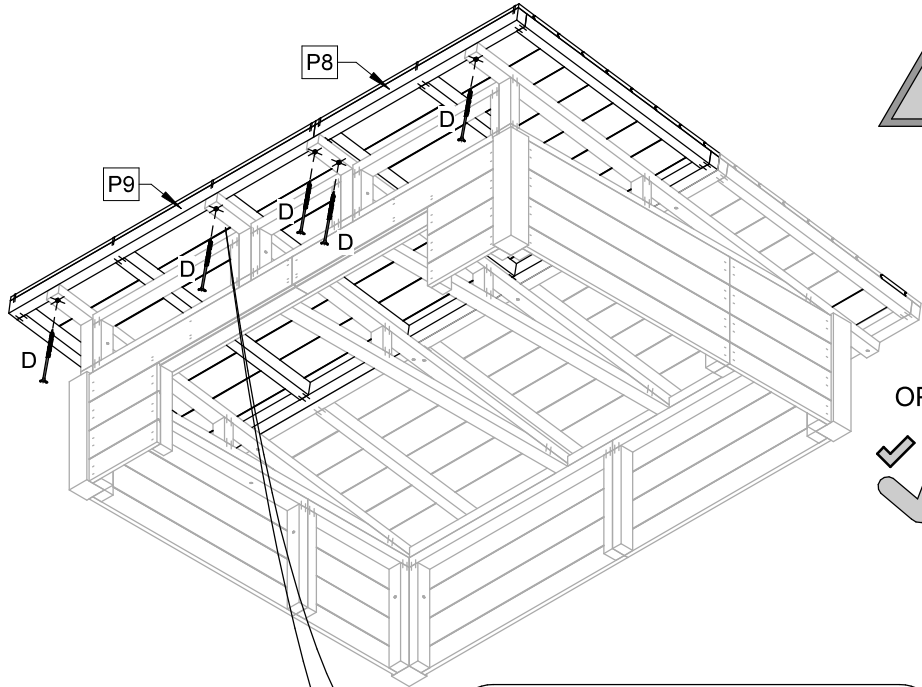


K15



D 5x70 x10

upyard™



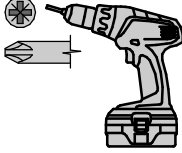
K17



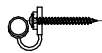
Ø3



+

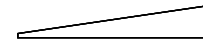


H



Ø4.5x45(PC) x18

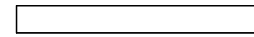
I



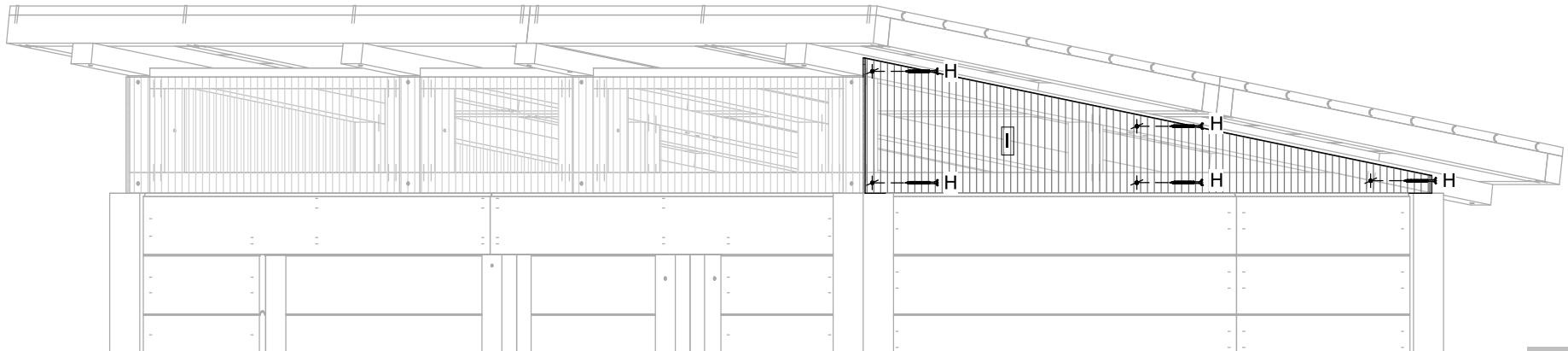
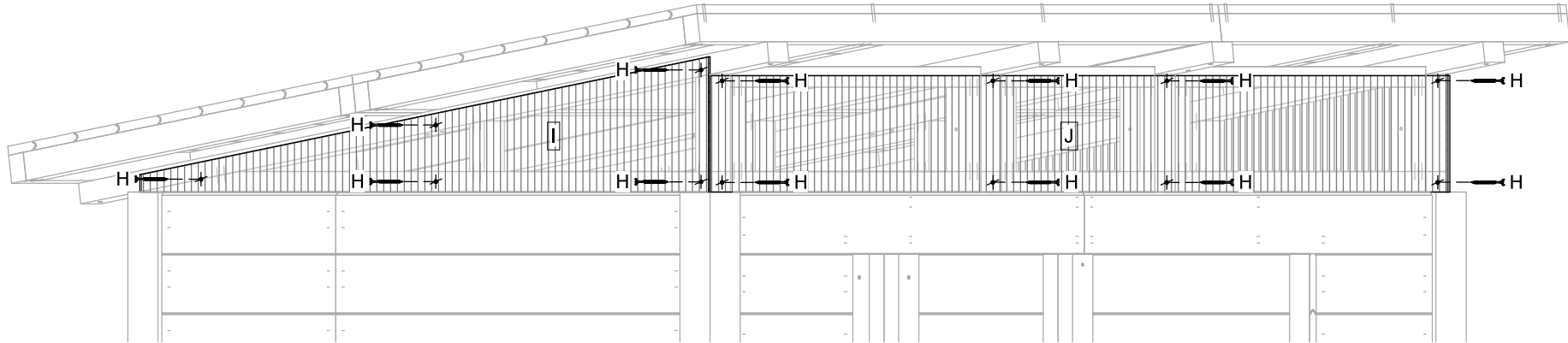
x2

upyard™

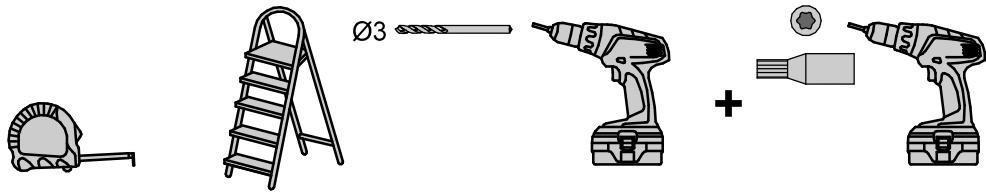
J



x1

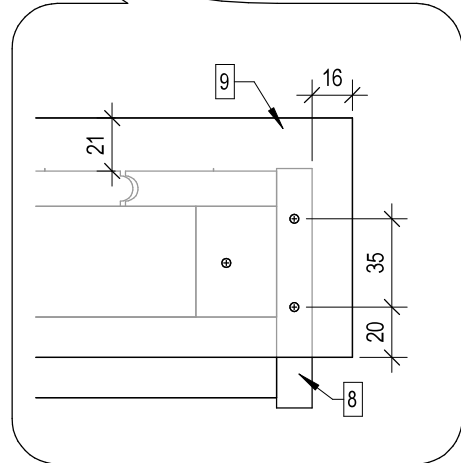
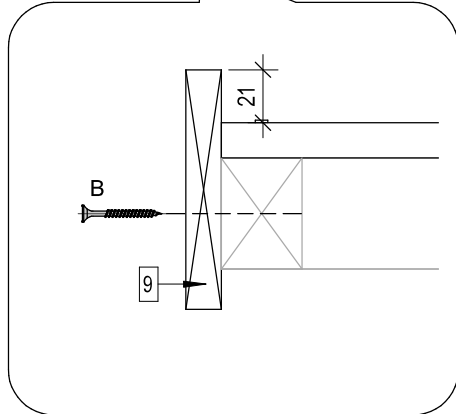
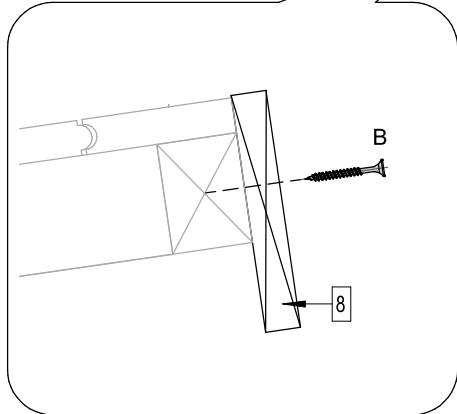
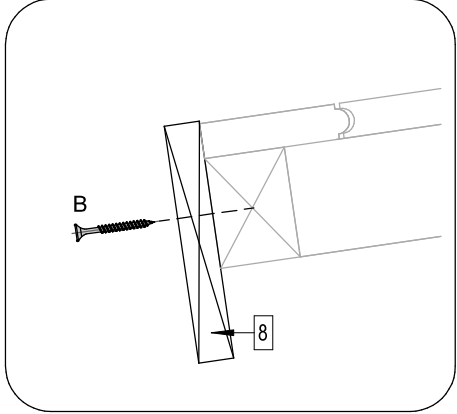
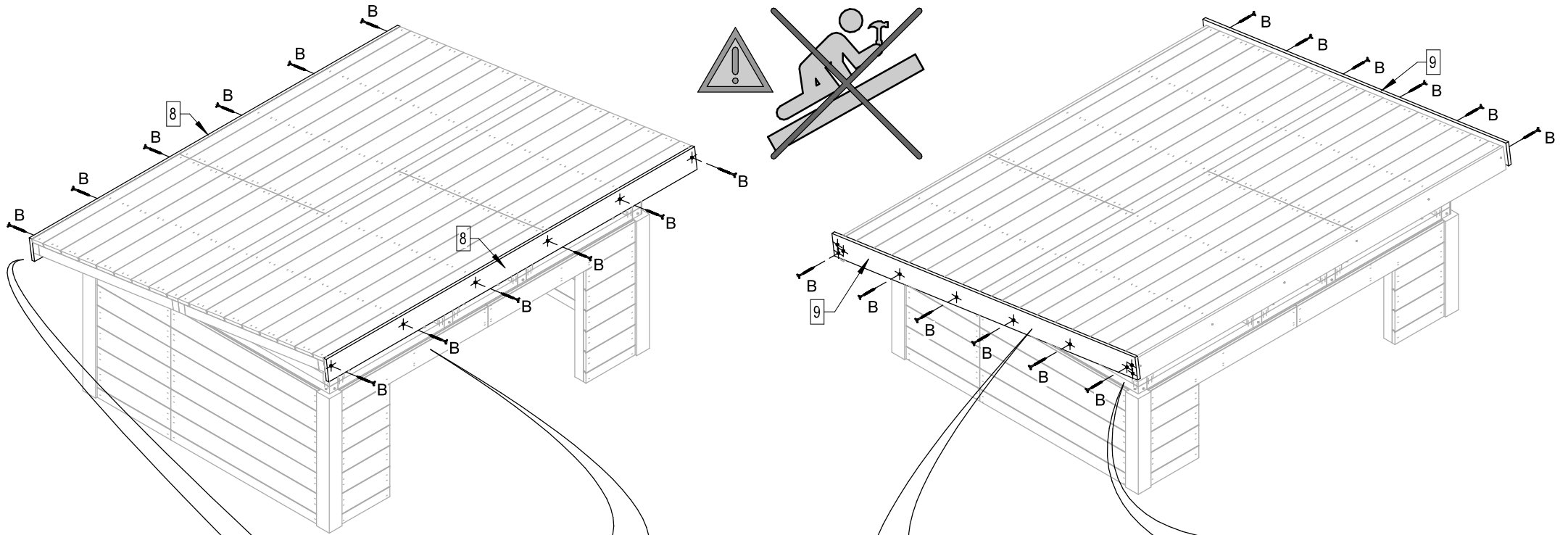


K18

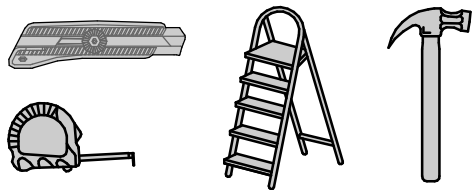


B 3.5x35 x32

upyard™

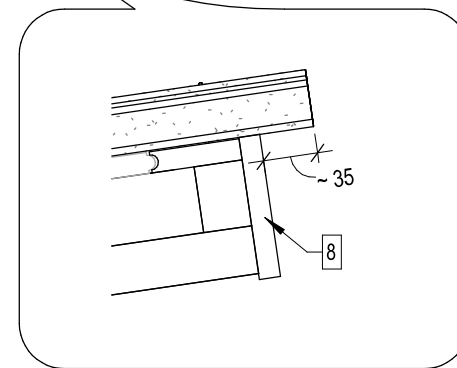
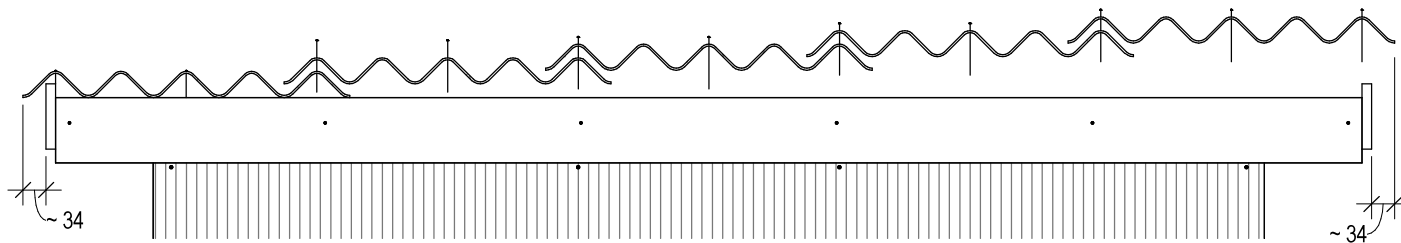
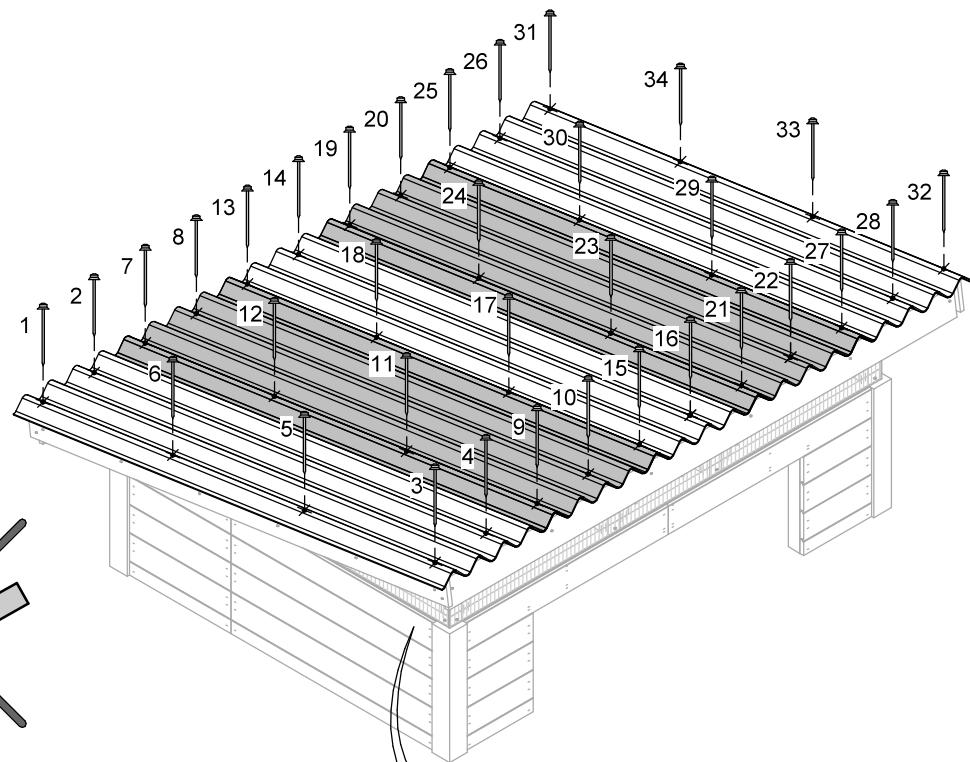
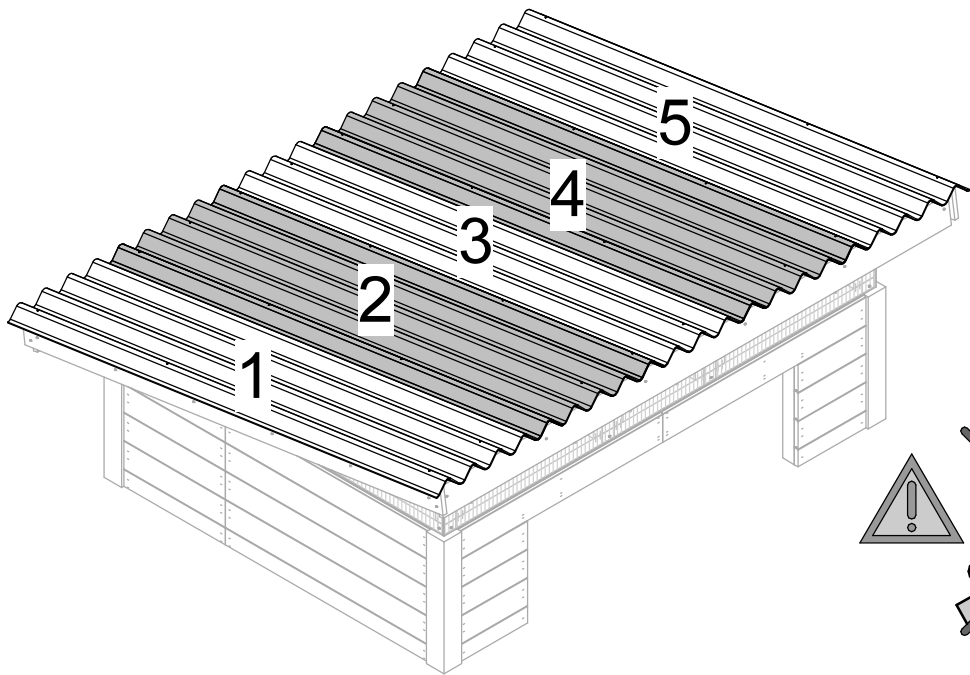


K19

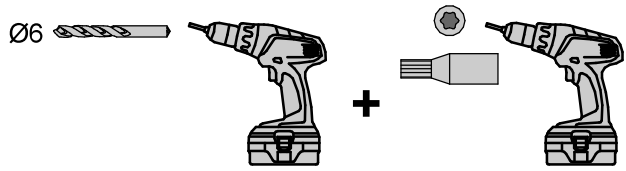



G 3x75 x34


upyard™




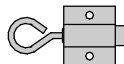
K20



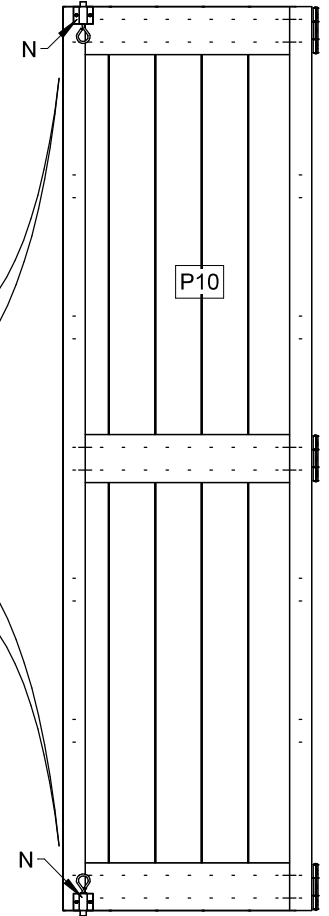
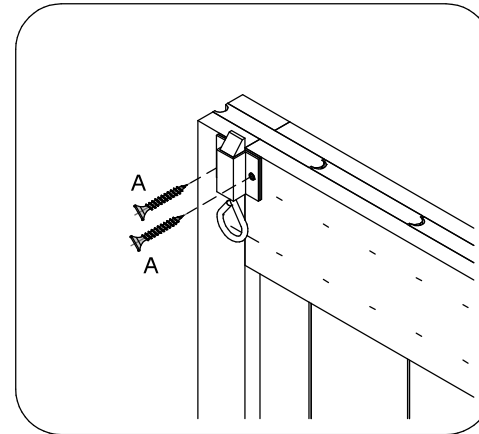
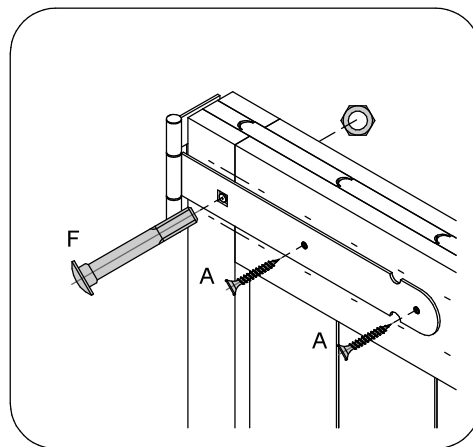
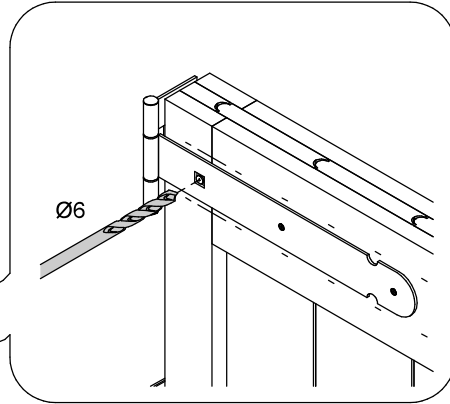
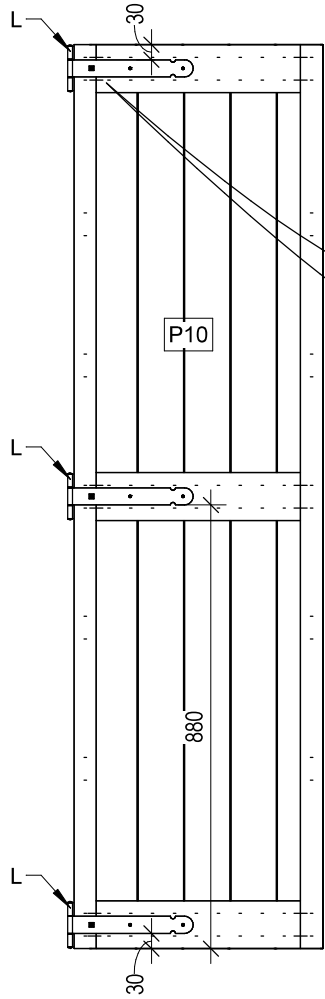
A  3.5x25 x16

F  M6x60 x6

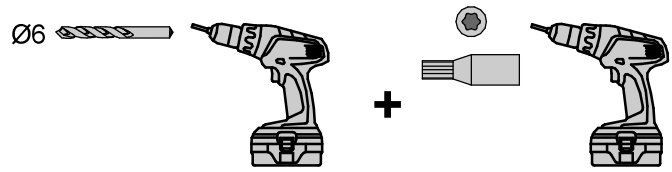
L  x6

N  x2

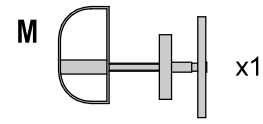
upyard™



K21

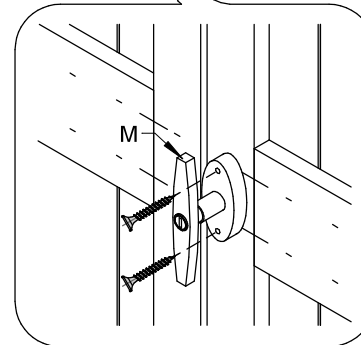
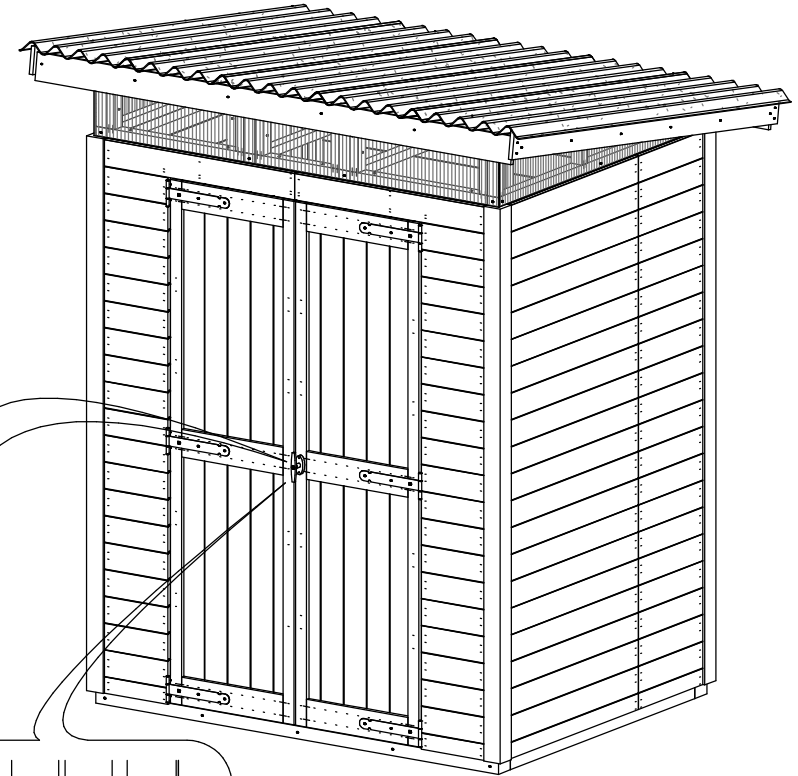
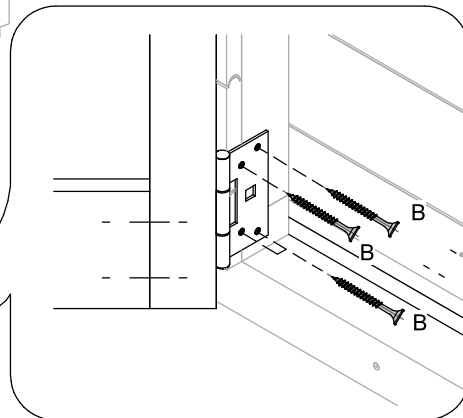
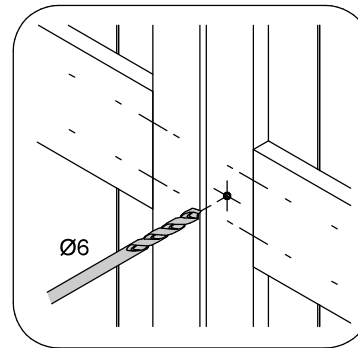
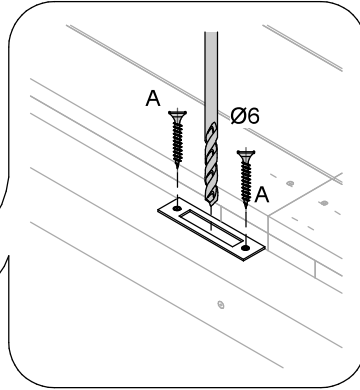
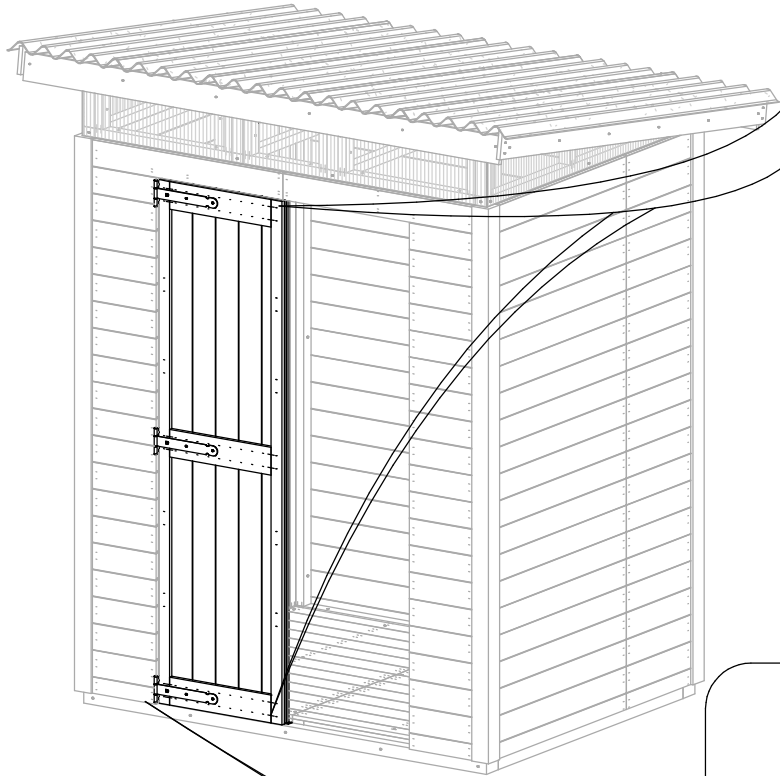


A
3.5x25 x4
B
3.5x35 x24



O
x2

upyard™



K22