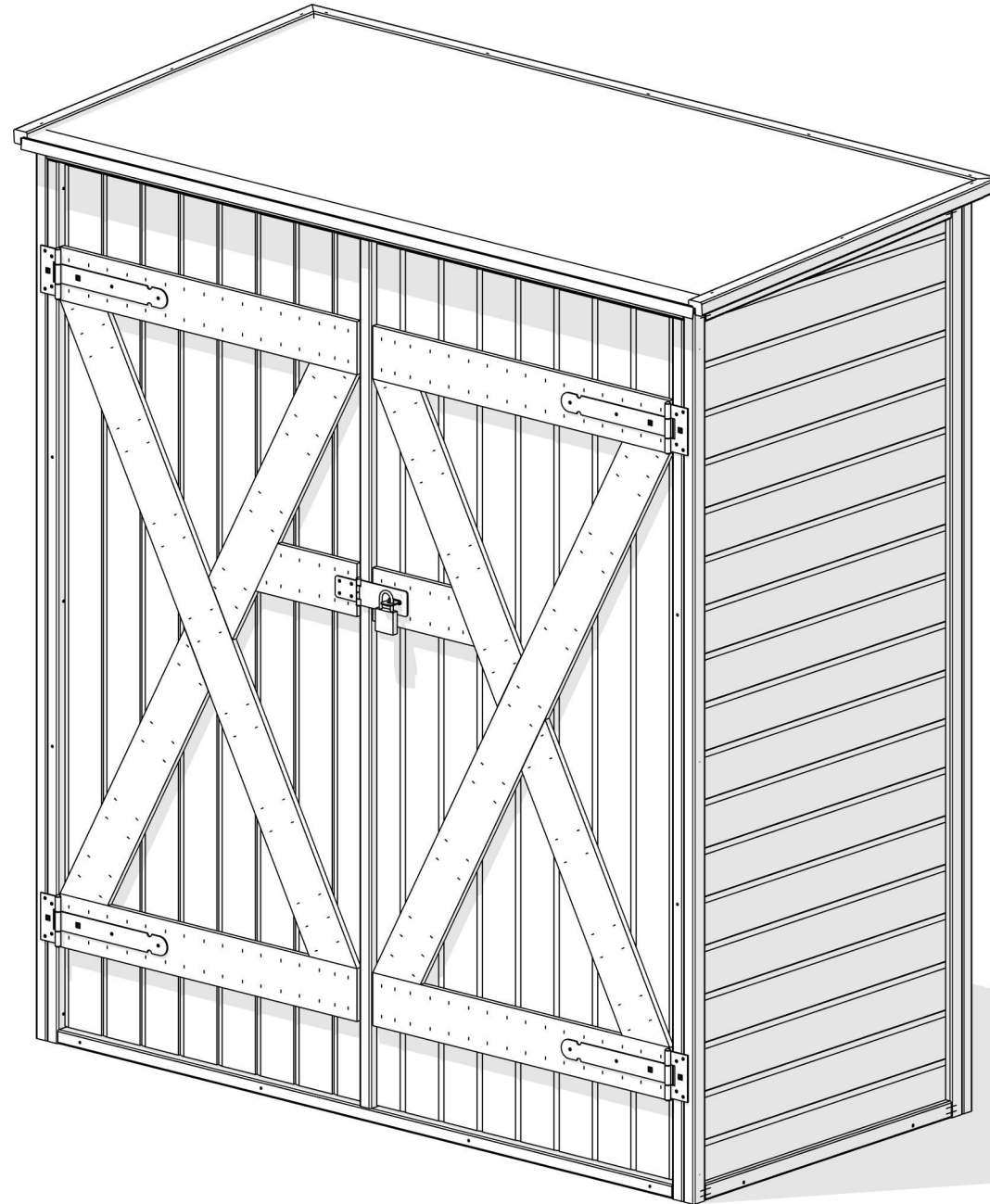


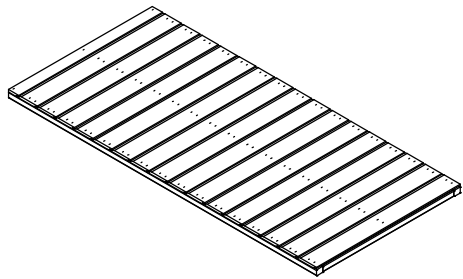
TOOL SHED

upyard™



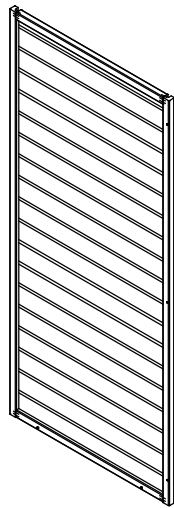
P1 - 672 x 1440 x 36

x1



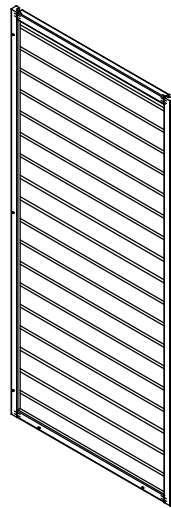
P2 - 745 x 1640 x 25

x1



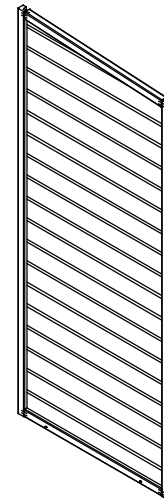
P3 - 745 x 1640 x 25

x1



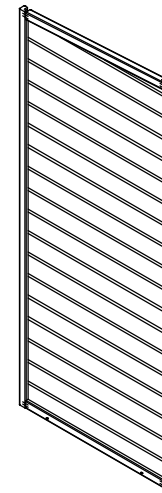
P4 - 702 x 1640(1601) x 25

x1



P5 - 702 x 1640(1601) x 25

x1



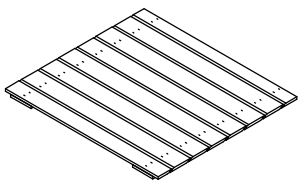
P6 - 70 x 1553 x 41

x1



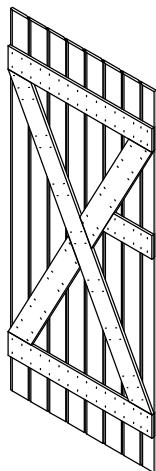
P7 - 714 x 648 x 21

x2



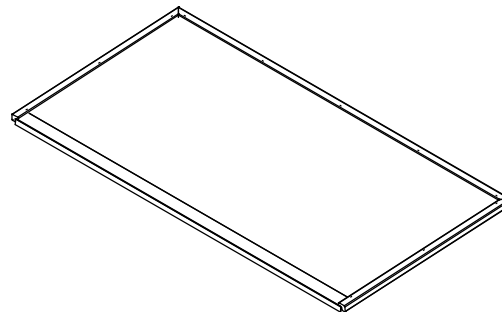
P8 - 672 x 1543 x 32

x2




P9 - 780 x 1557 x 49


x1



1 - 11x 70 x 1553
x1 


6 - 25 x 30 x 650
x2 


2 - 25 x 30 x 1440
x1 


7 - 25 x 30 x 70
x4 


3 - 25 x 30 x 1578
x2 


4 - 25 x 30 x 1390
x1 

5 - 25 x 30 x 671
x2 

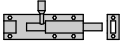
A Ø3.5x25-TX15
x48 


D
x4 


B Ø4x50-TX20
x54 

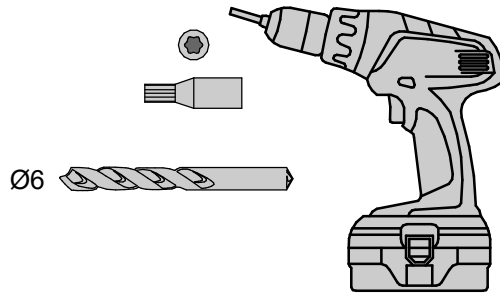
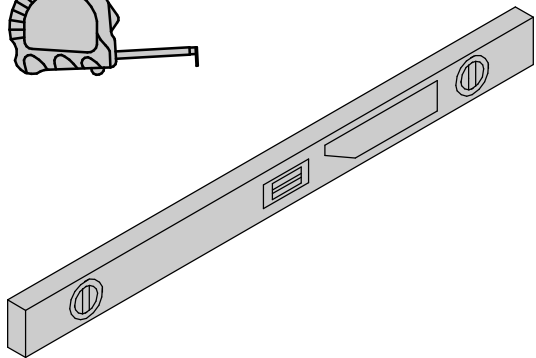
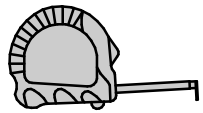
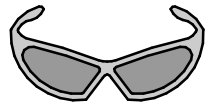
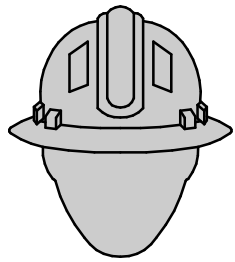
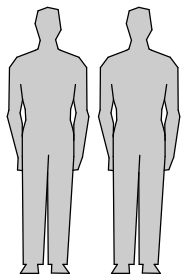
E
x1 

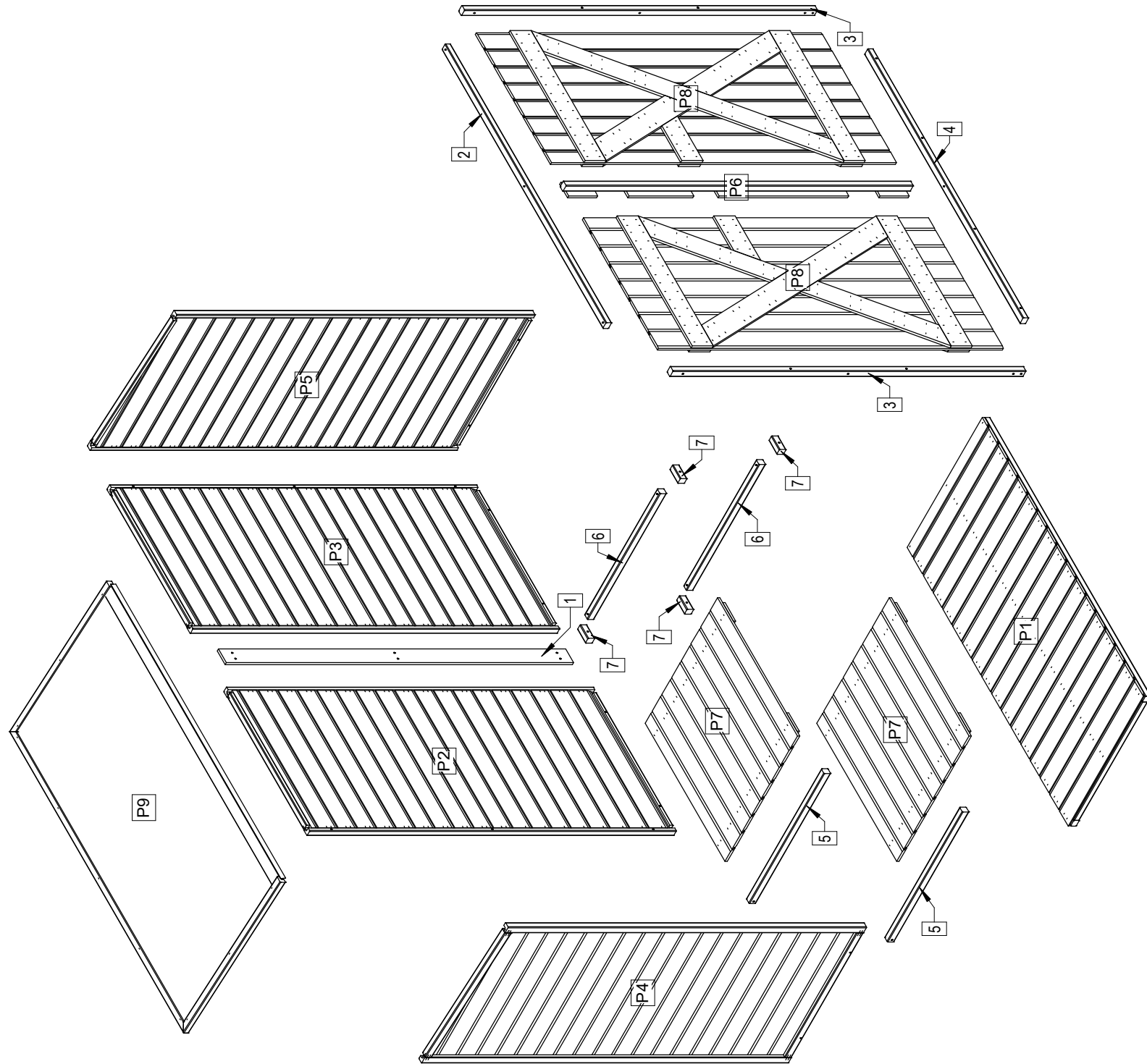
C M6x45
x8 

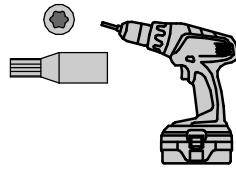
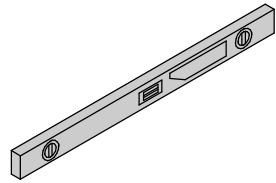
F
x1 


G
x1 

H
x1 

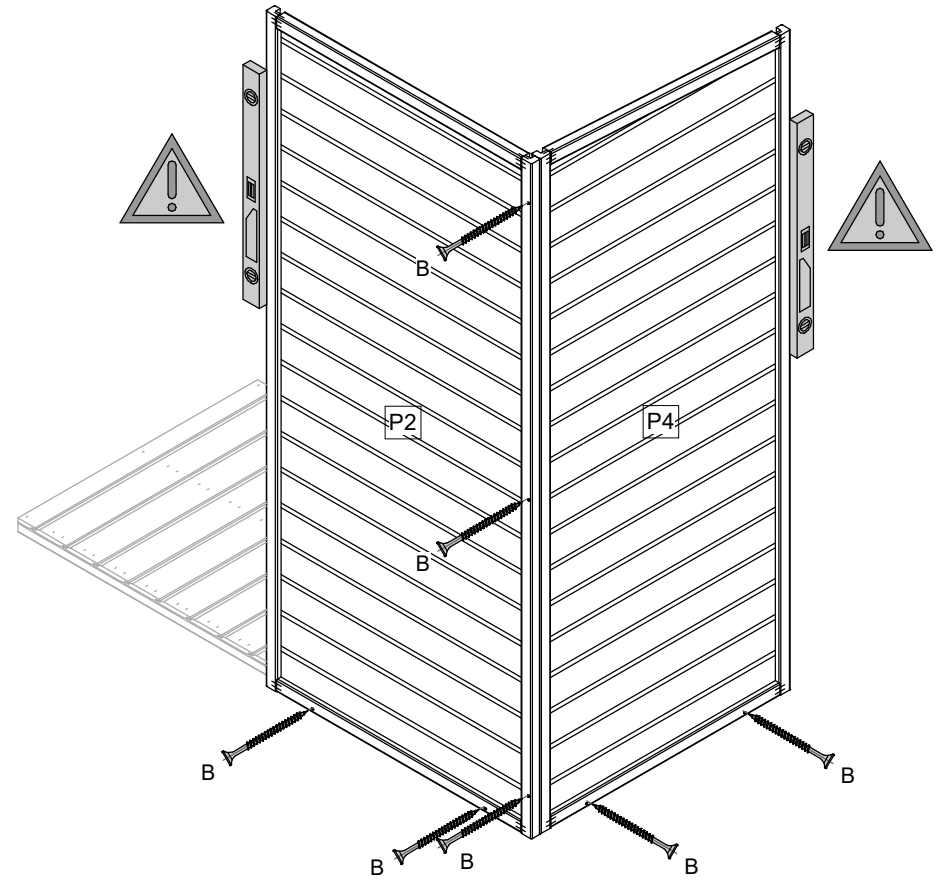
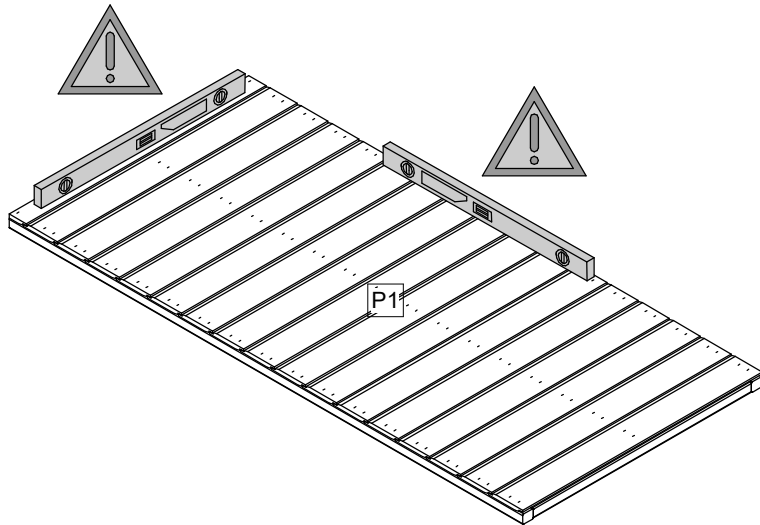




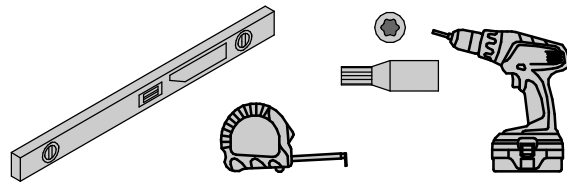




B 
4x50 x7

upyard™

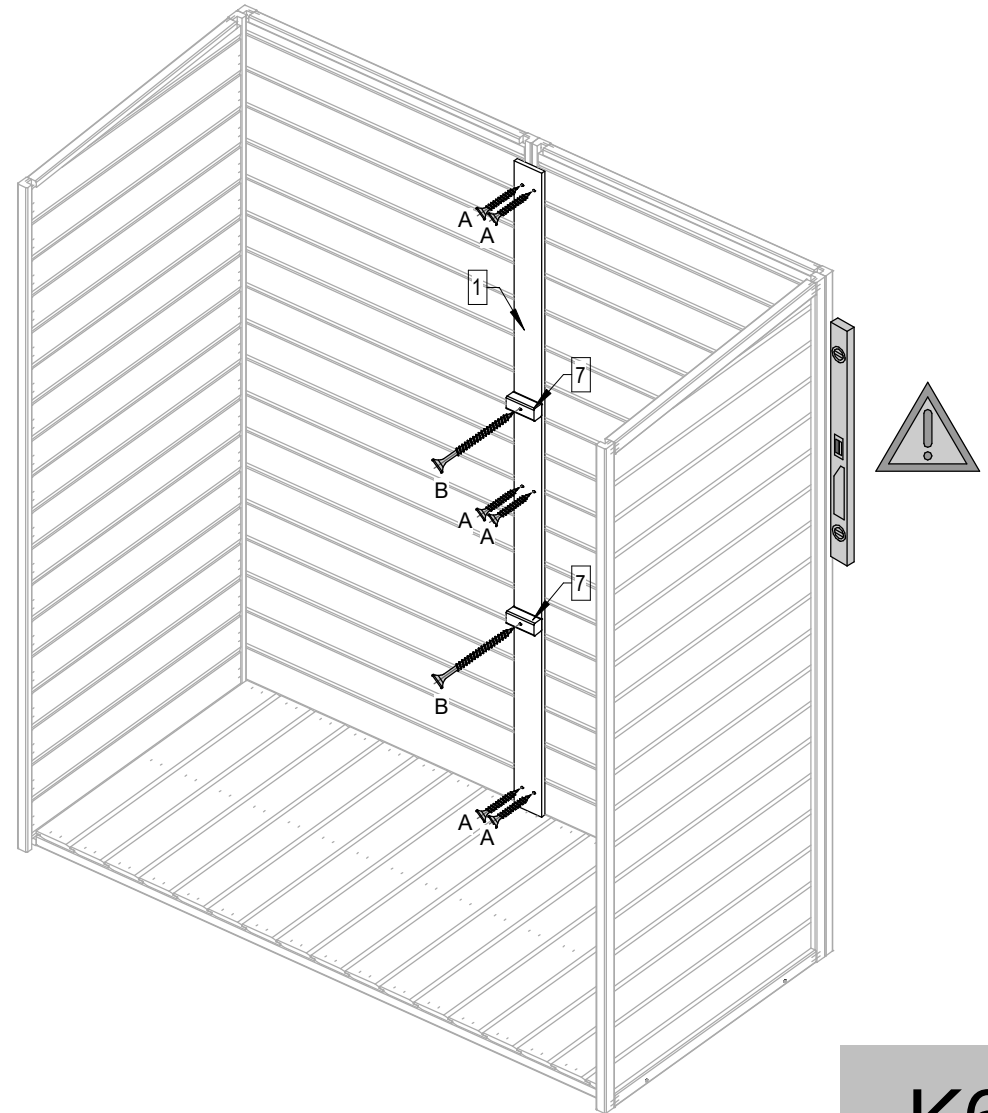
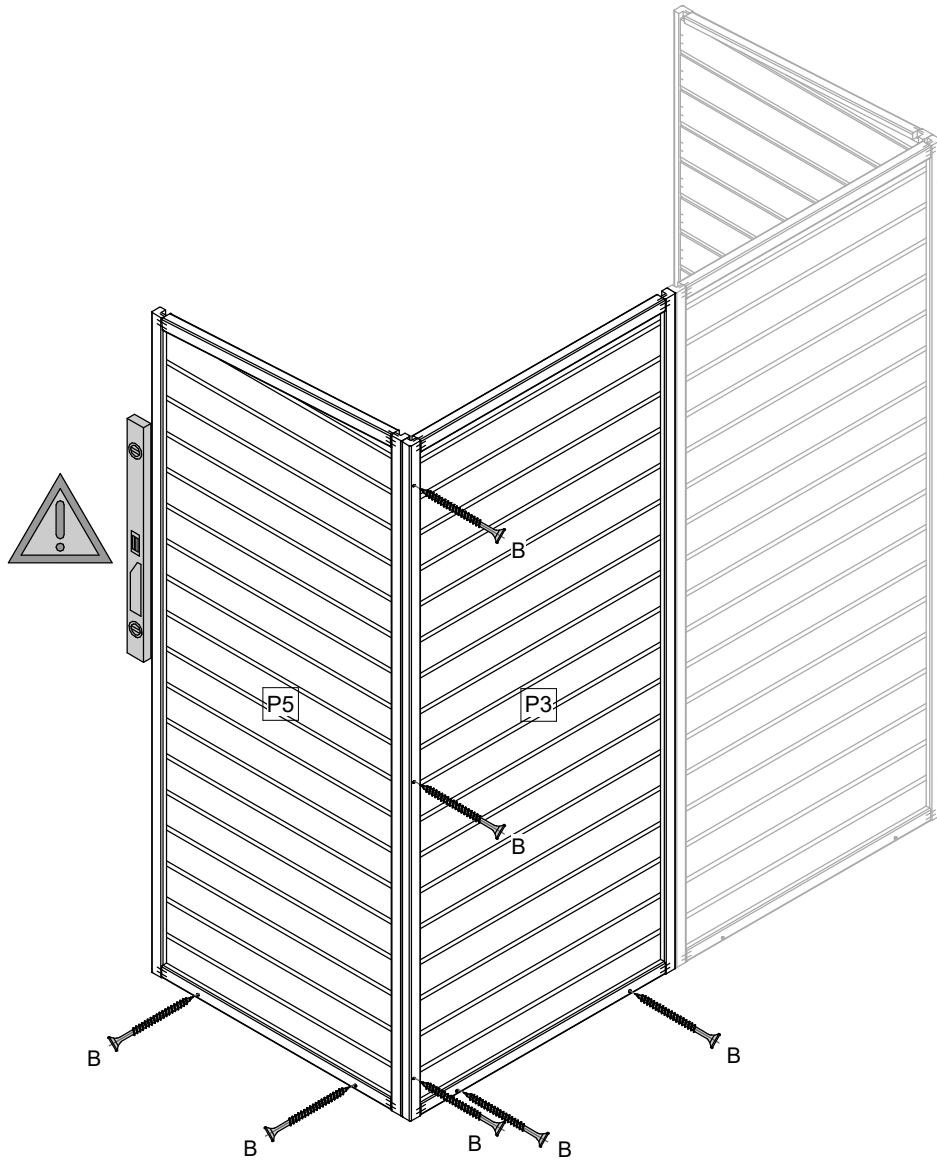


K5

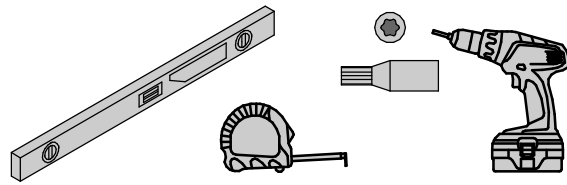



- A**  3.5x25 x6
- B**  4x50 x9

upyard™

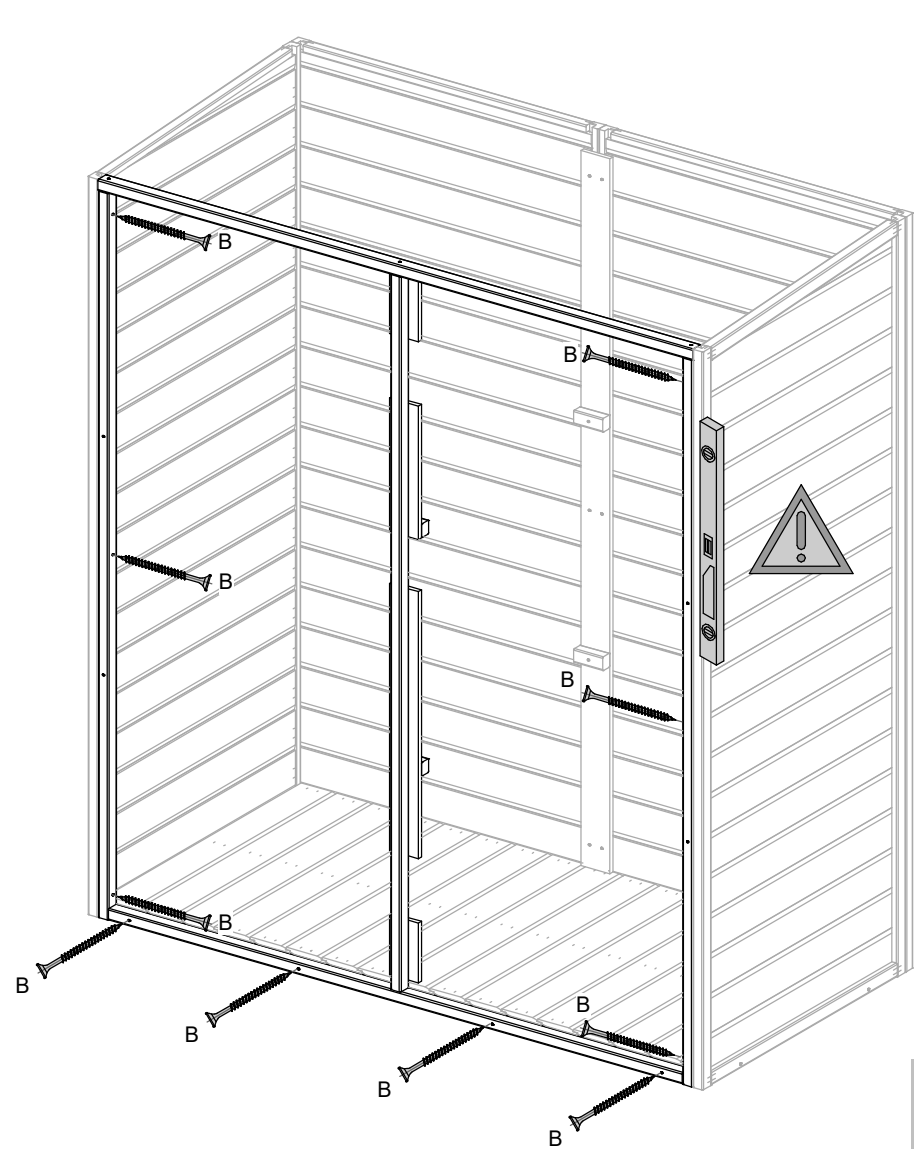
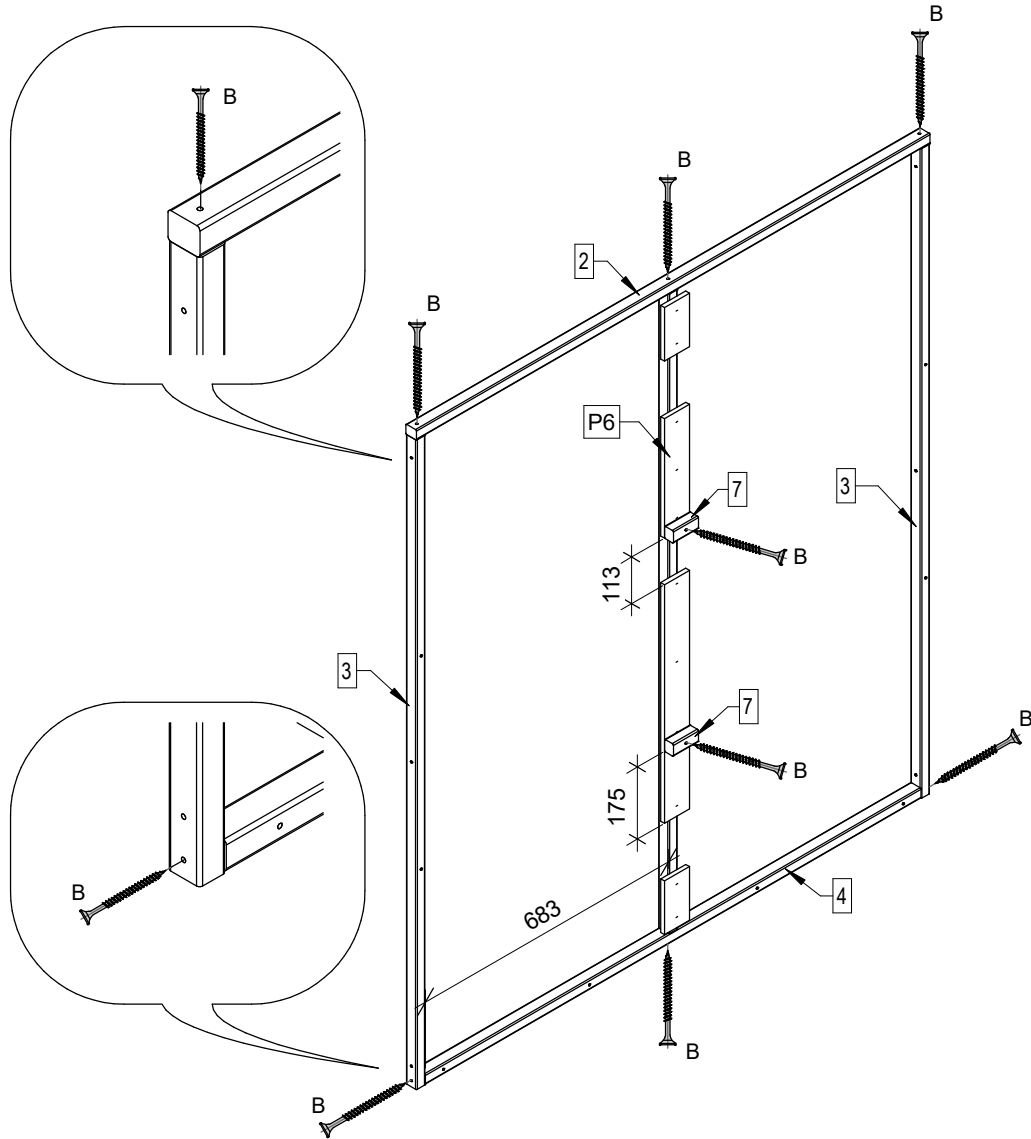


K6

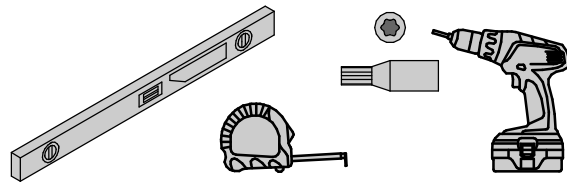



B 
4x50 x18

upyard™

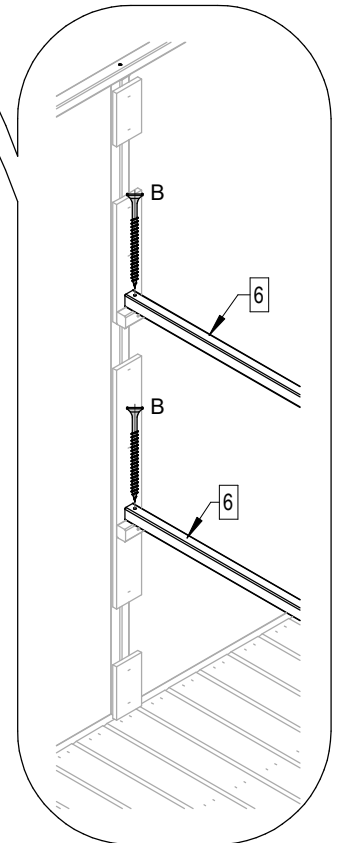
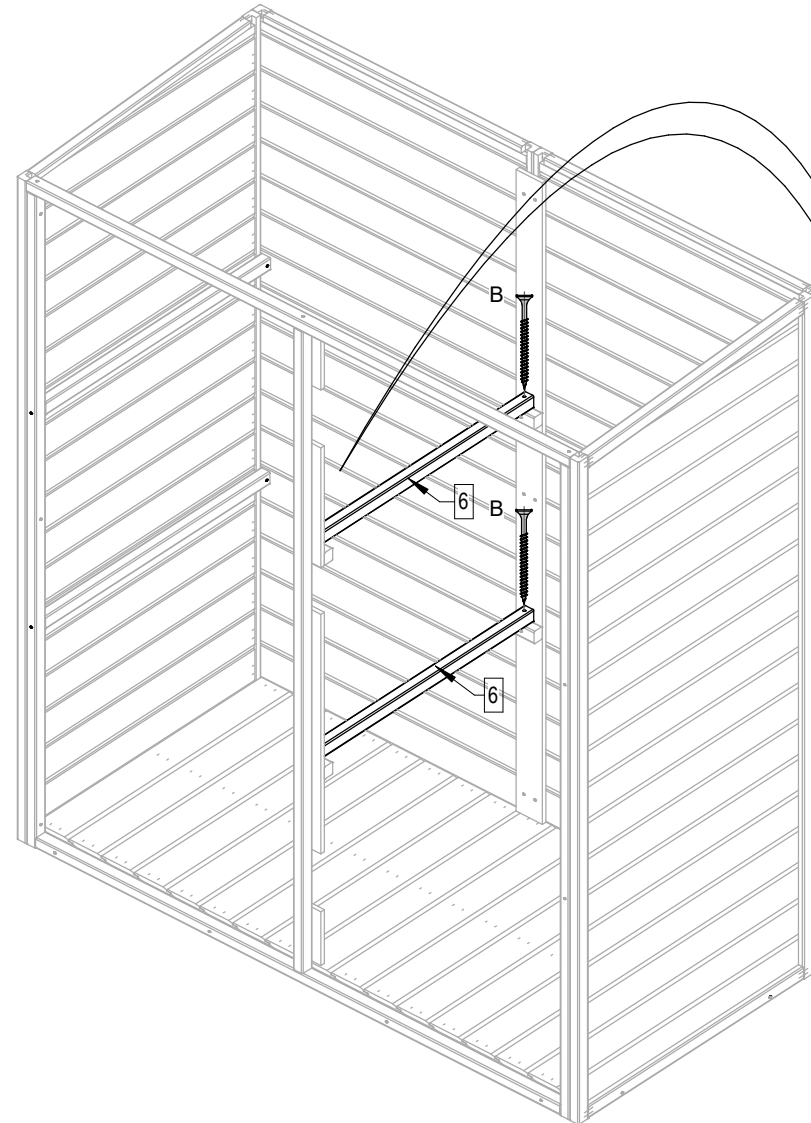
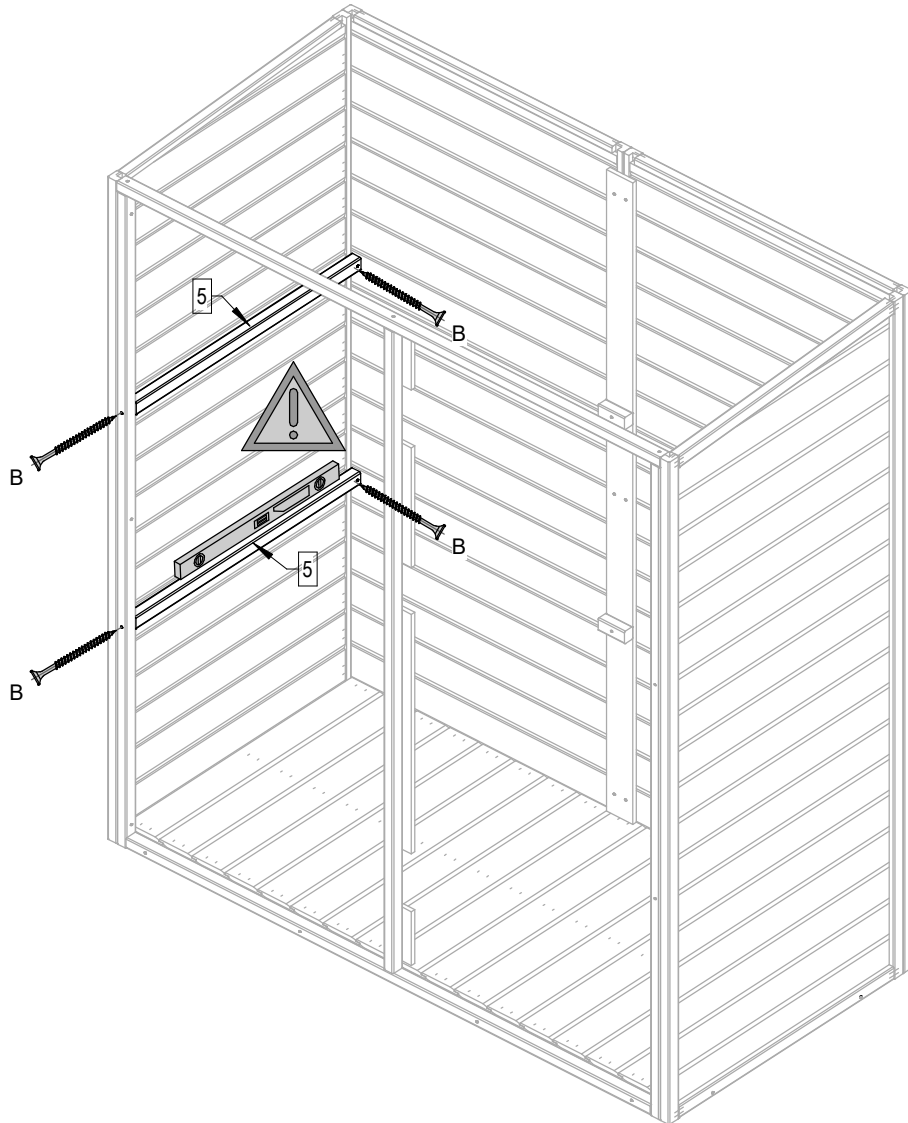


K7

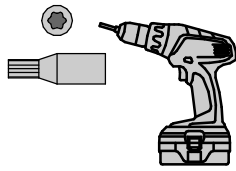



B 
4x50 x8

upyard™

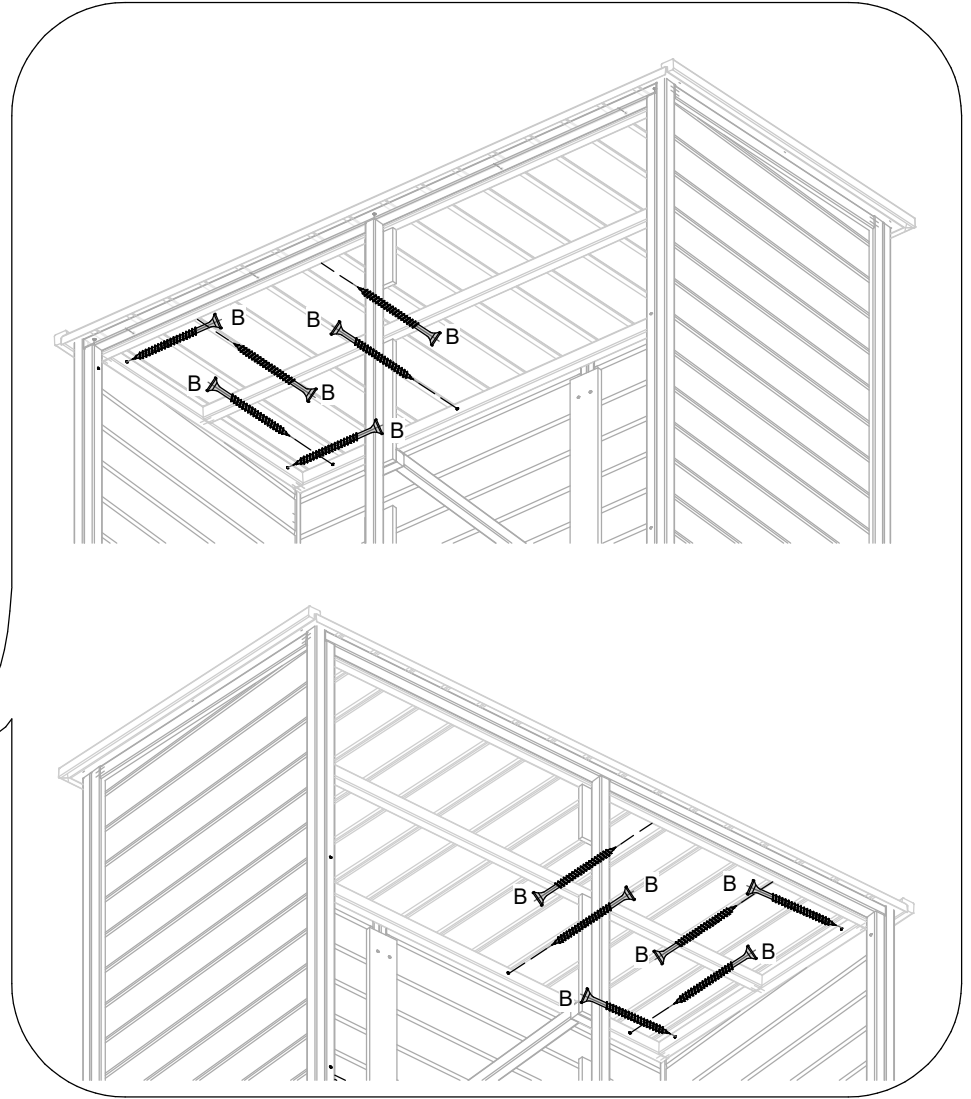
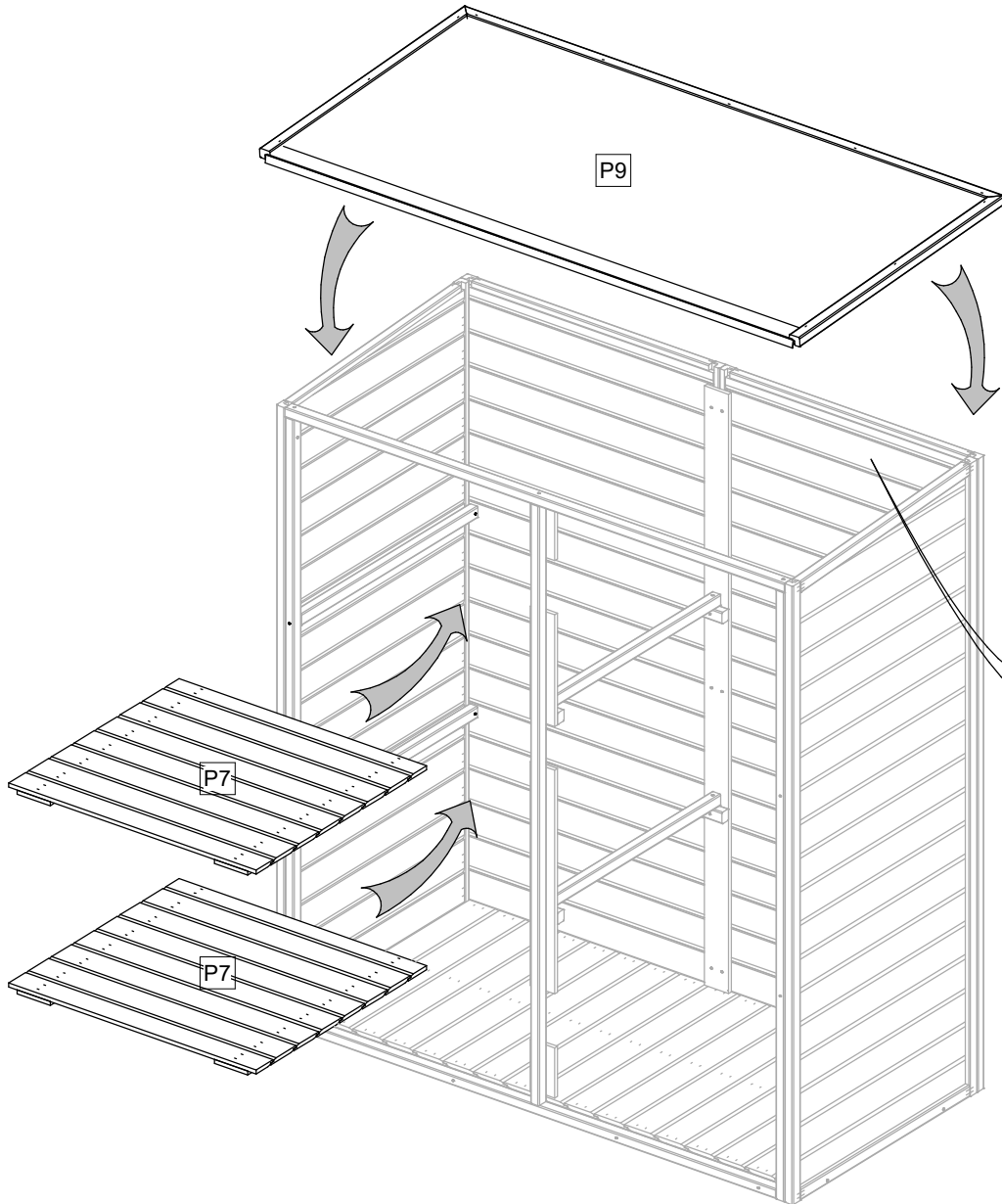


K8

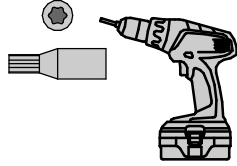
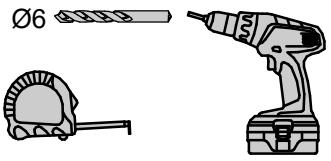


B 
4x50 x12


upyard™




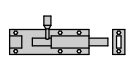
K9

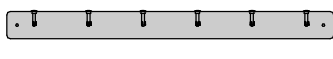


A  3.5x25 x16

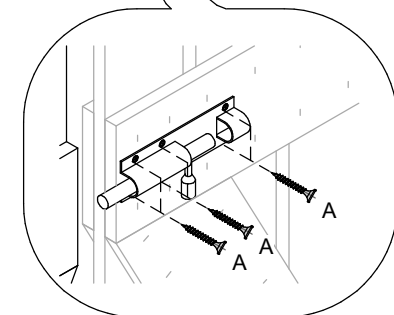
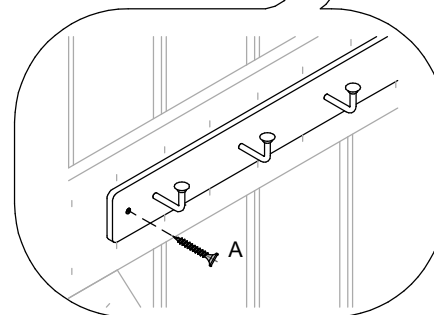
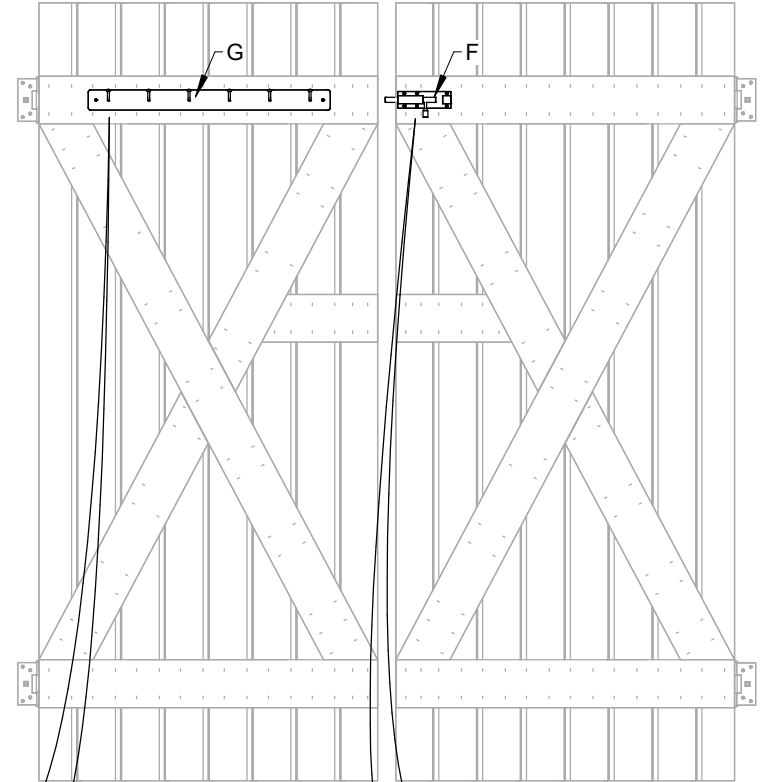
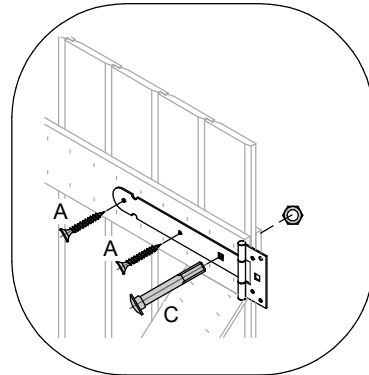
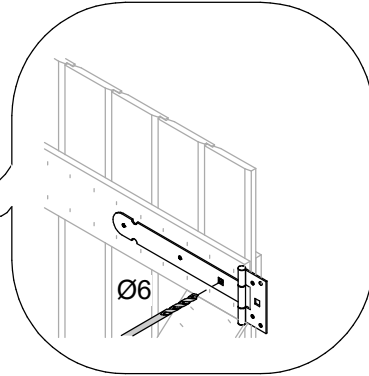
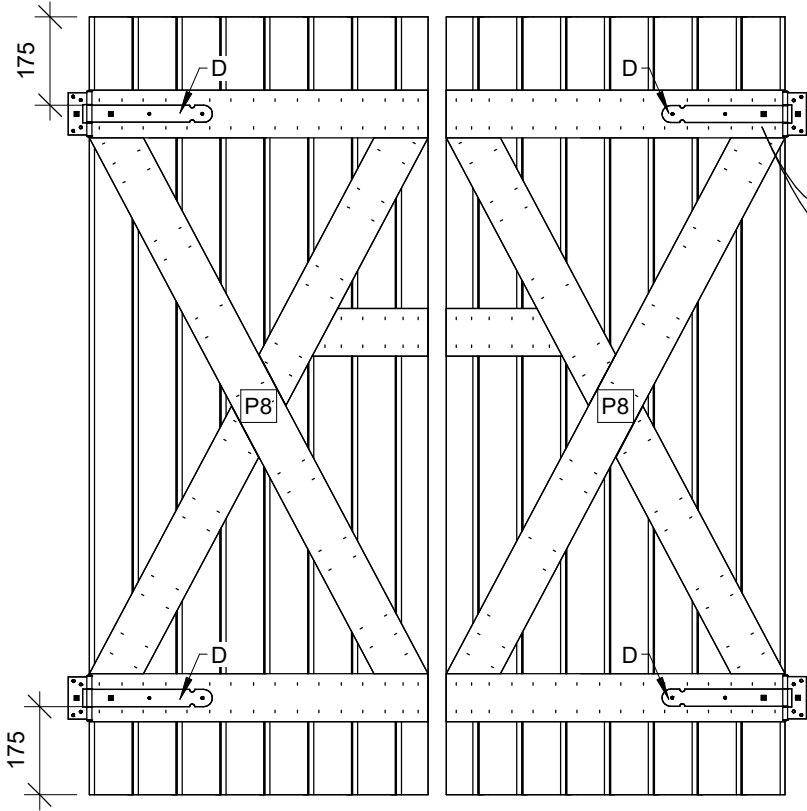
C  M6x45 x4

D  x4

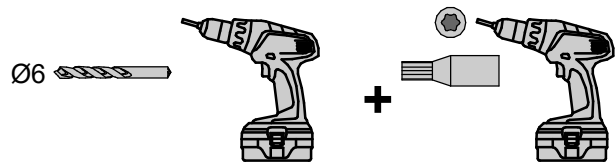
F  x1

G  x1

upyard™



K10



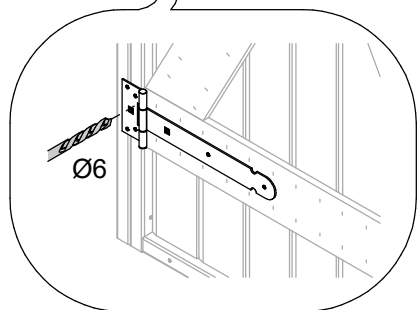
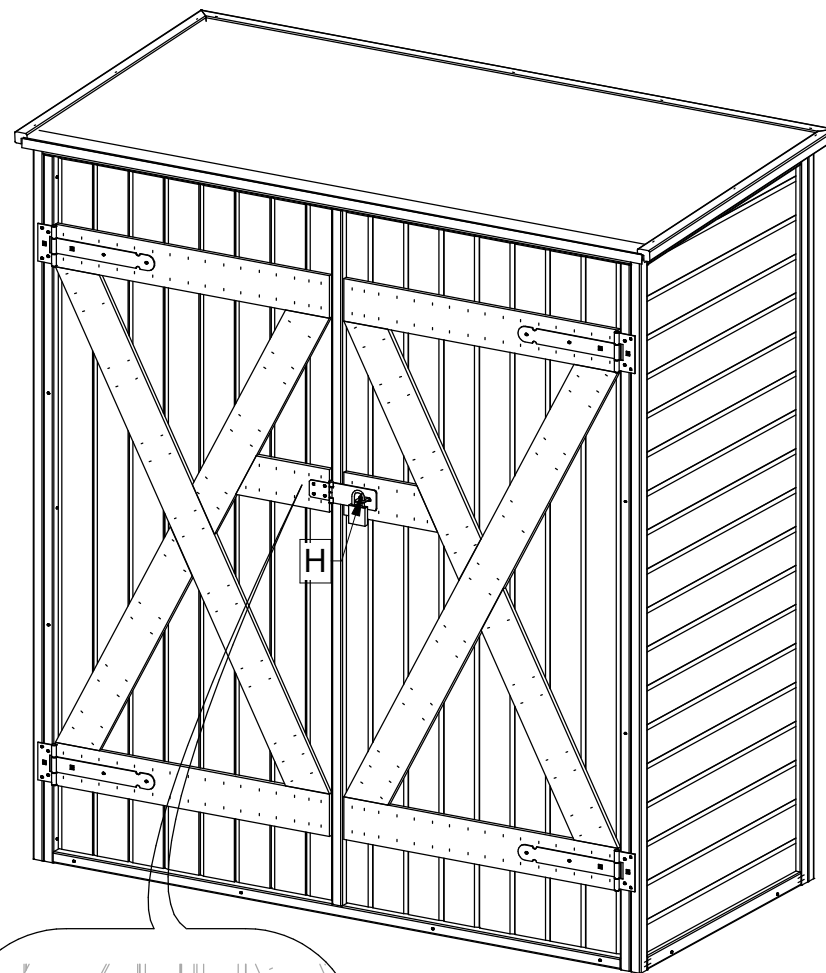
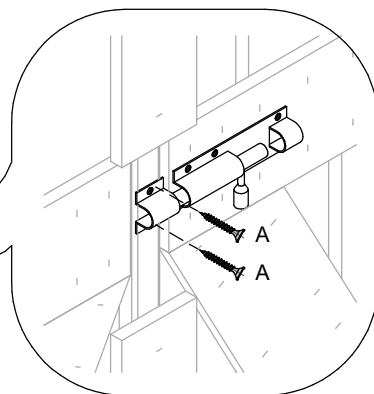
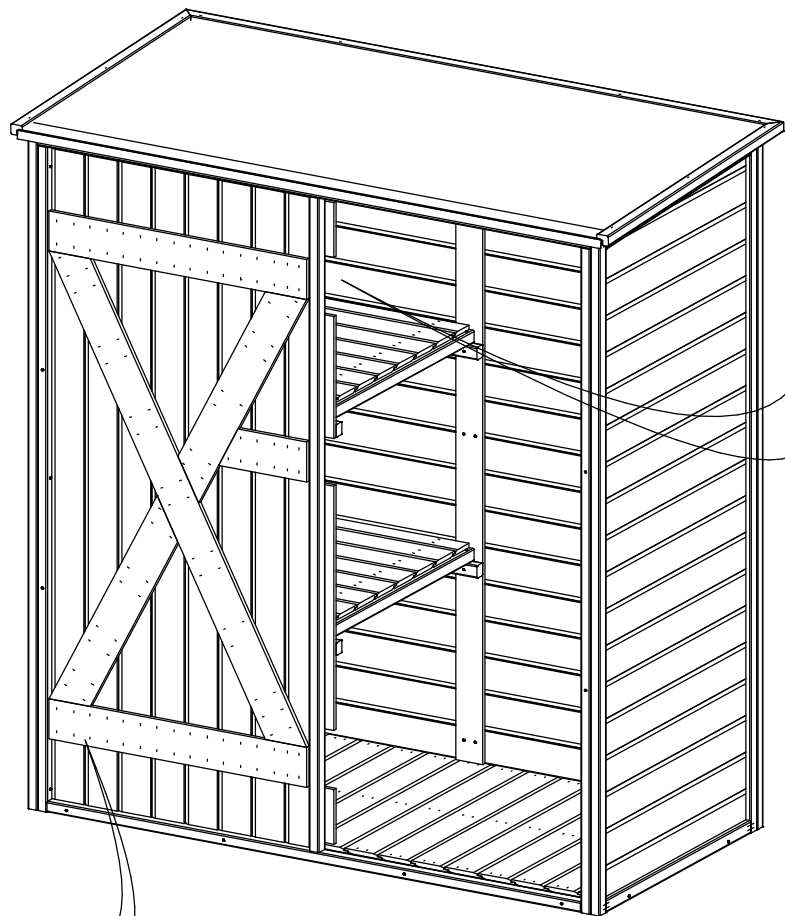
A 3.5x25 x26

E  x1

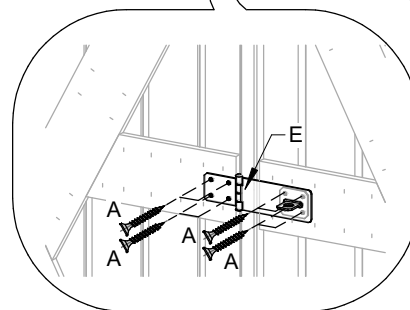
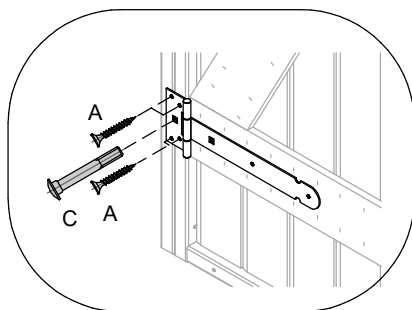
C M6x45 x4

H  x1

upyard™



+



K11