



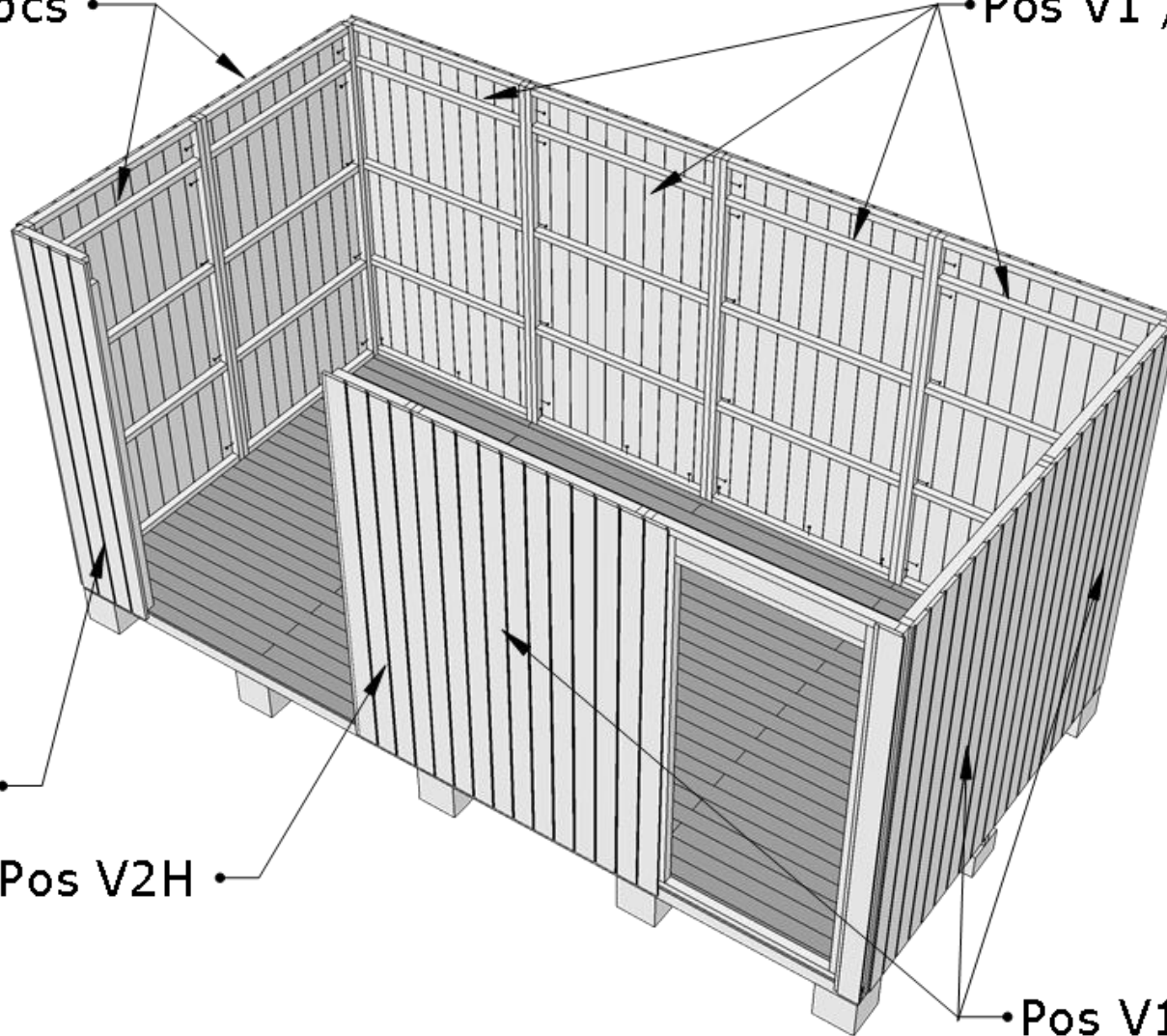
Pos V1 / 2pcs

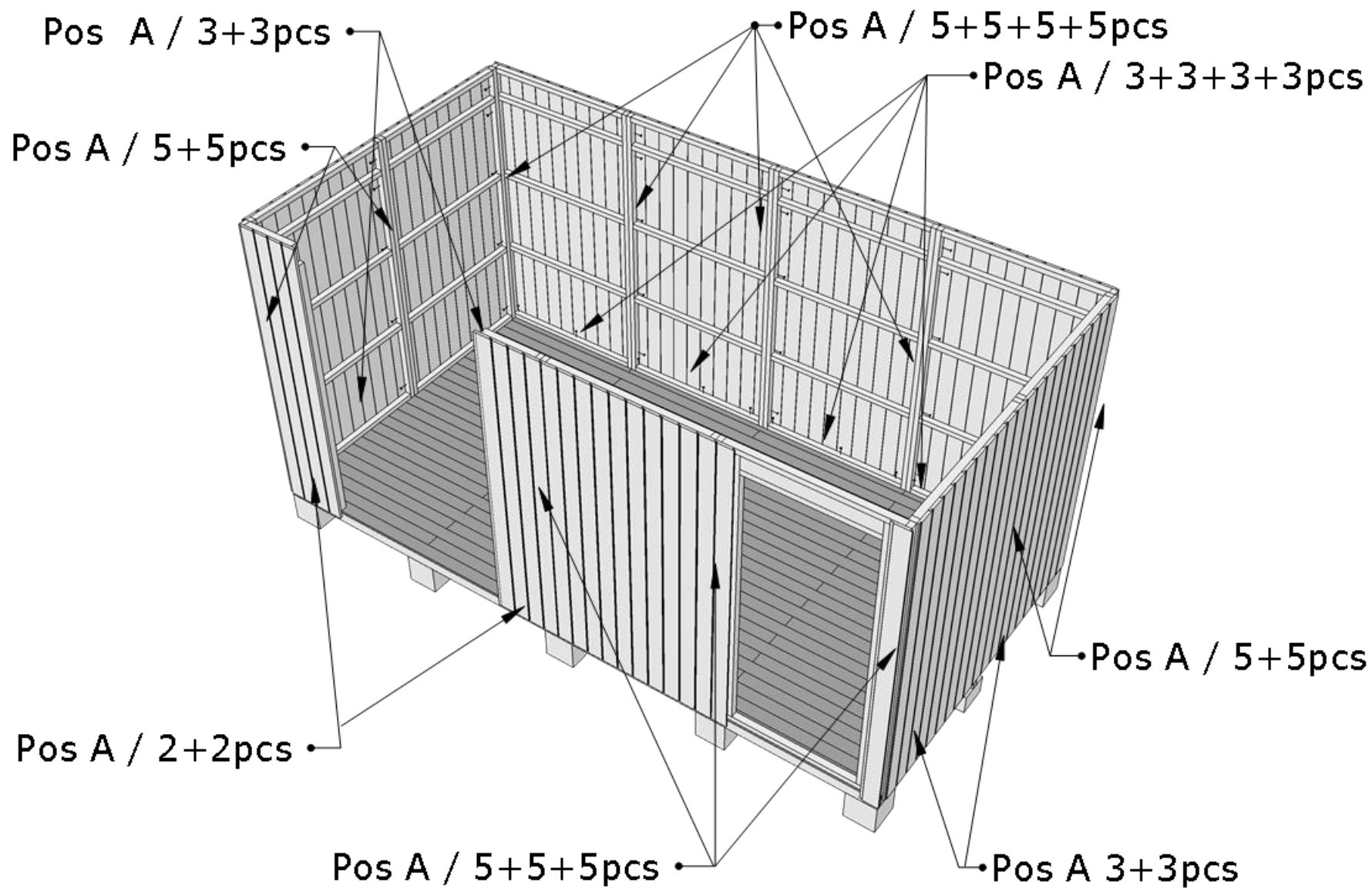
Pos V1 / 4pcs

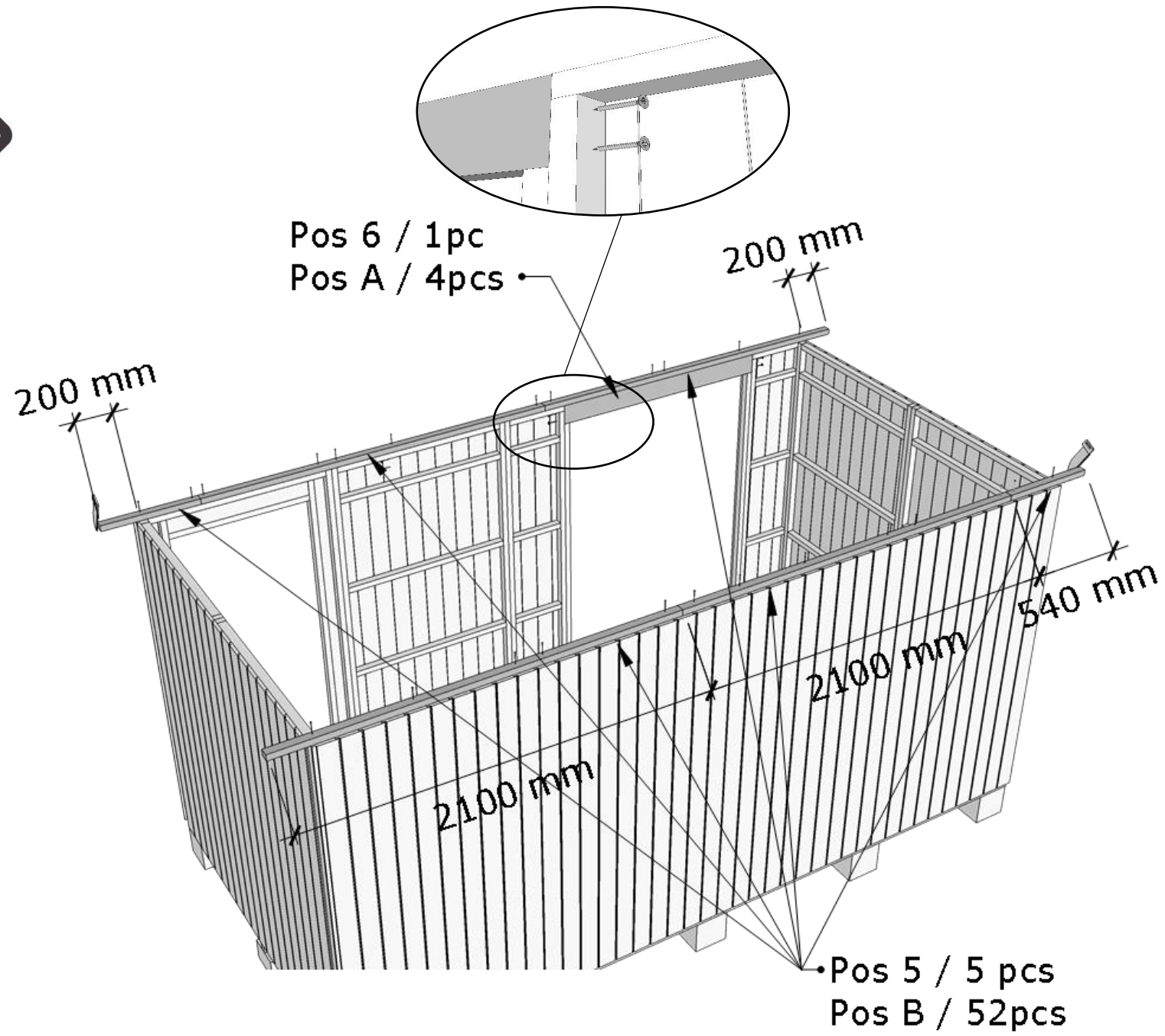
Pos V2V

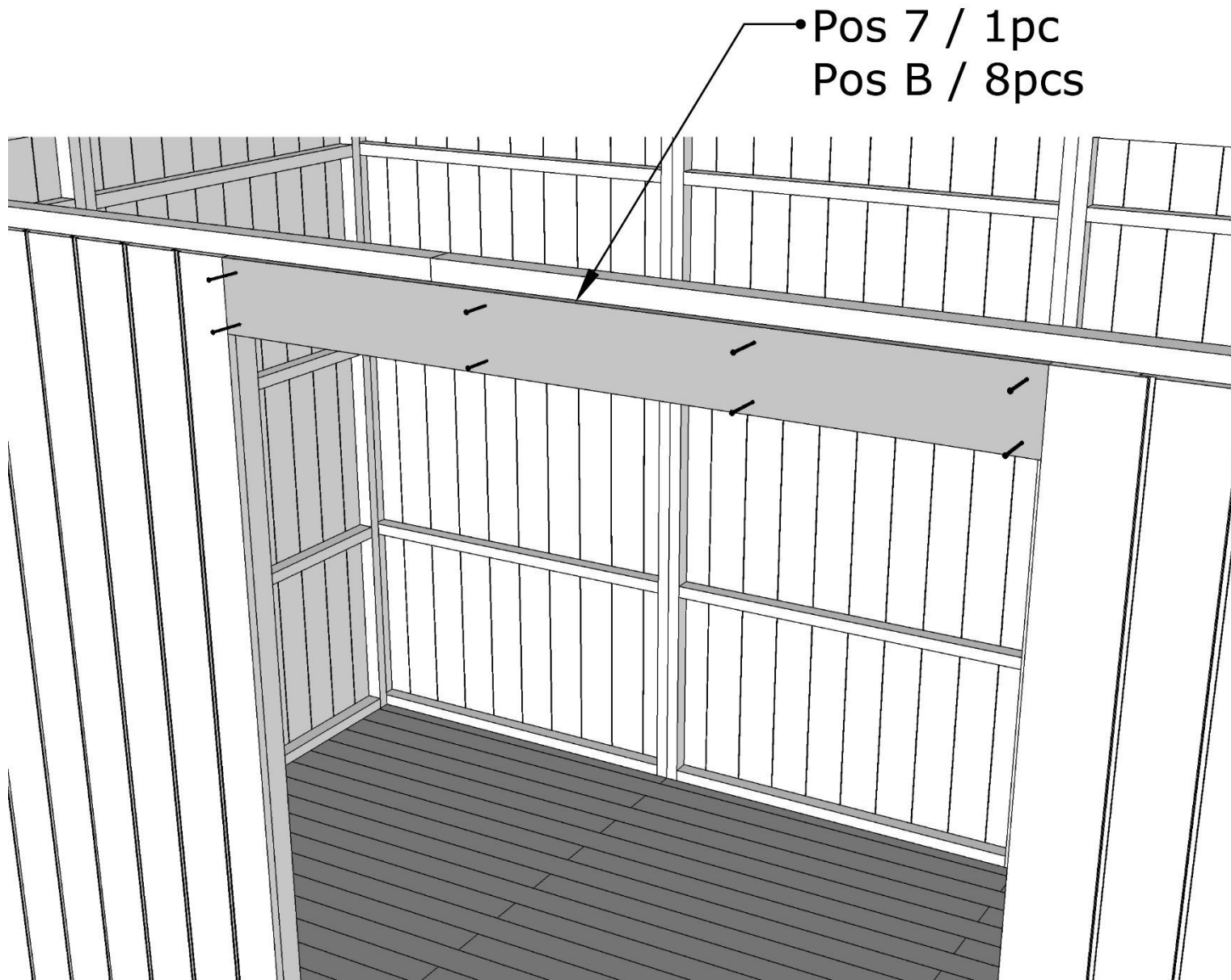
Pos V2H

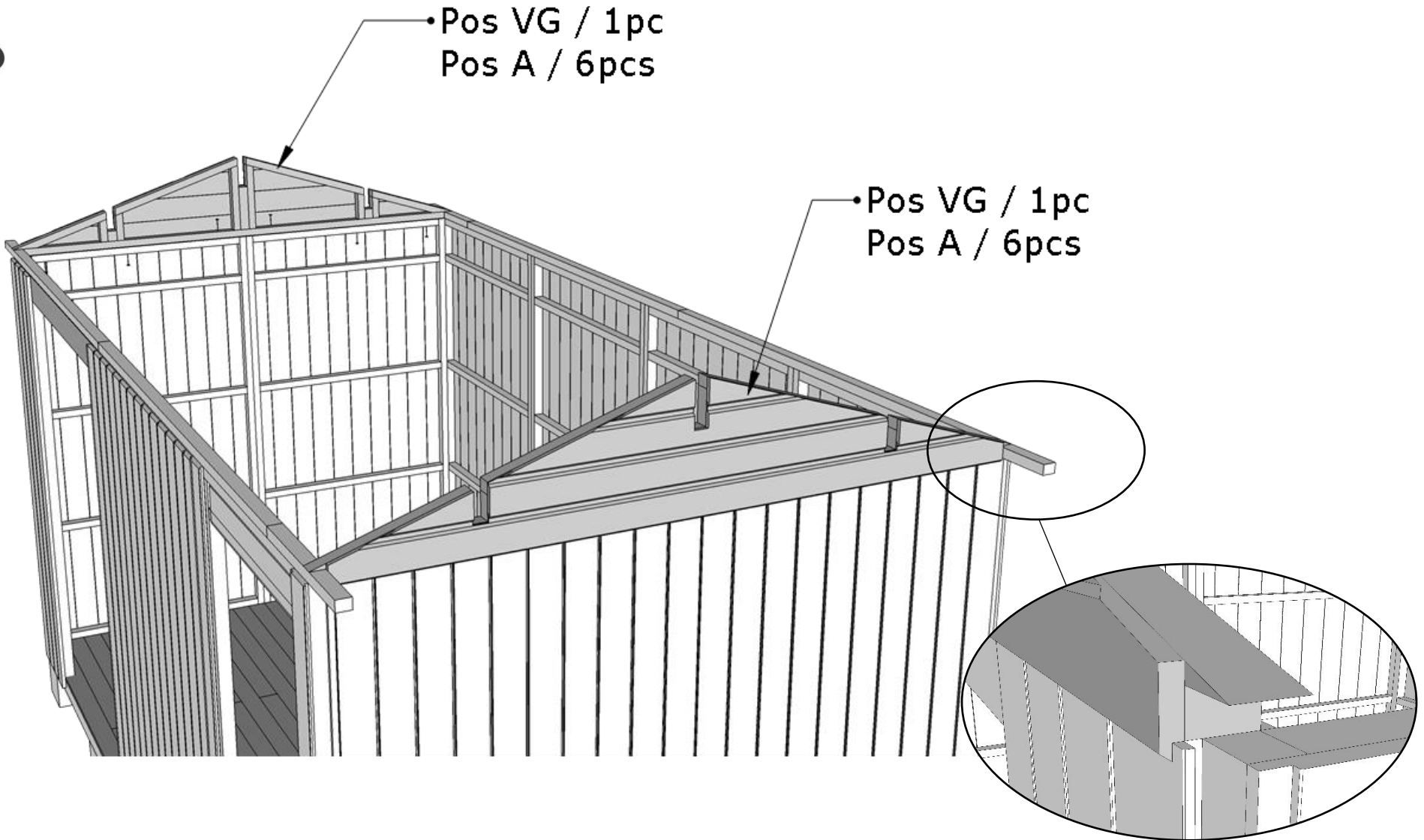
Pos V1 /

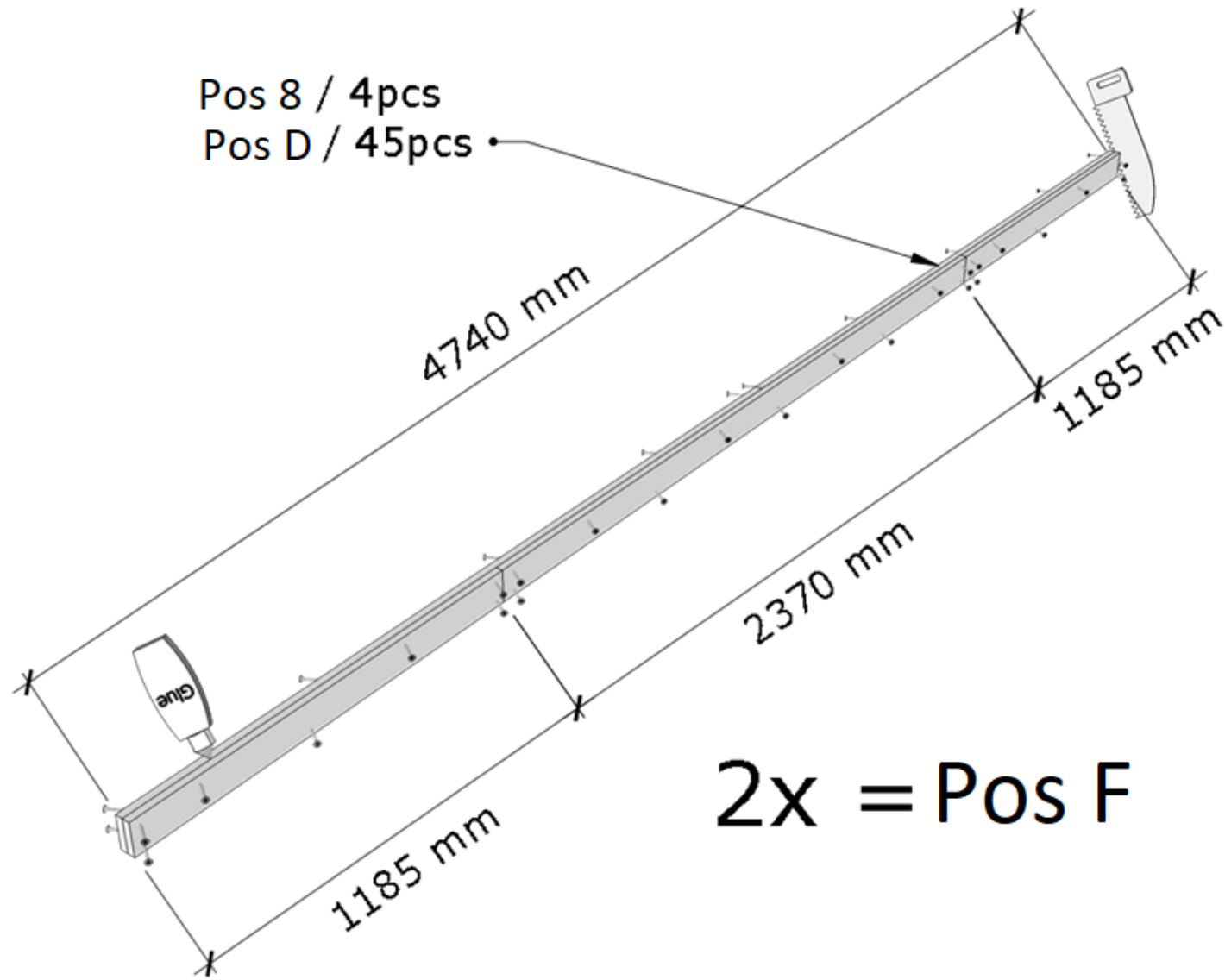




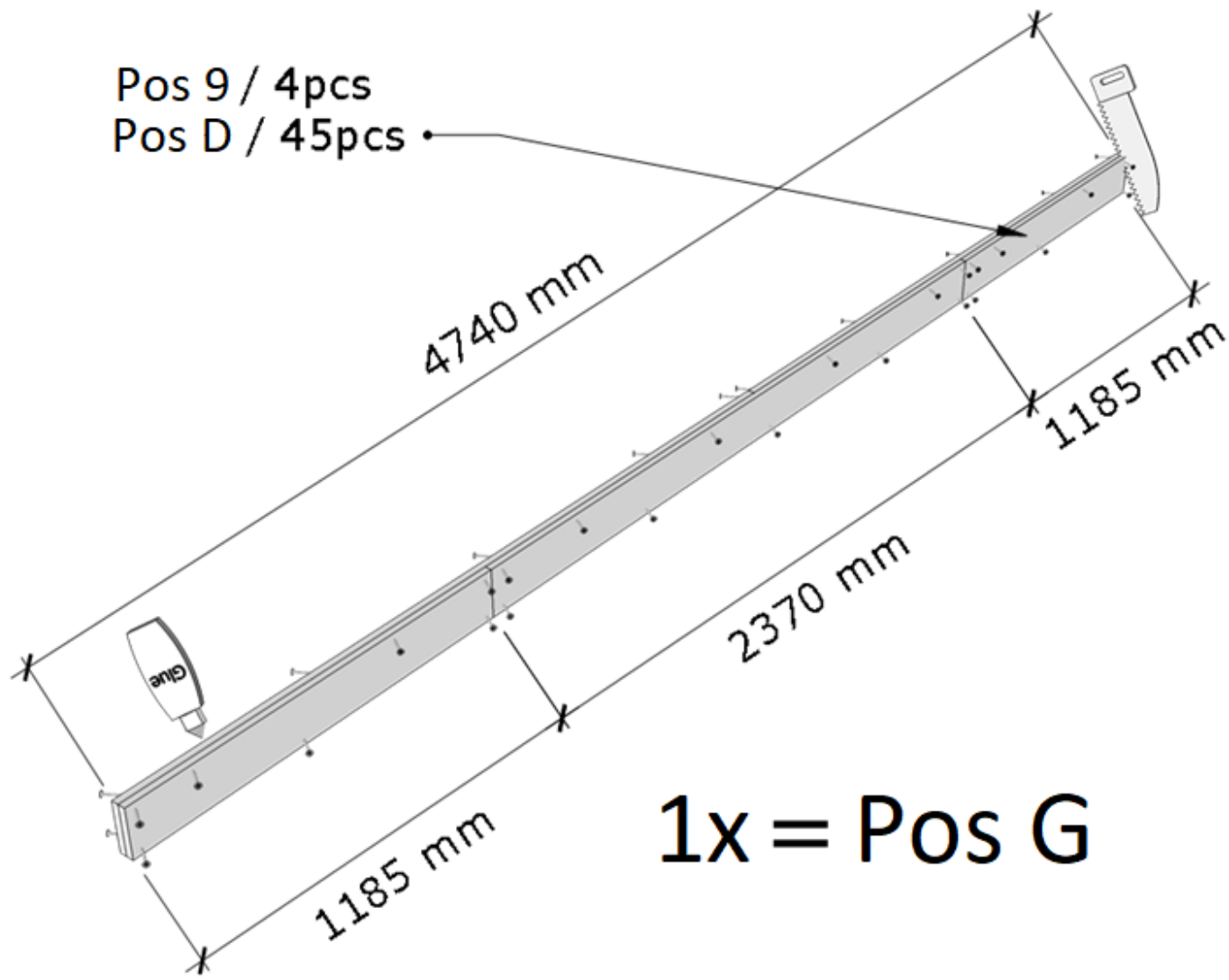




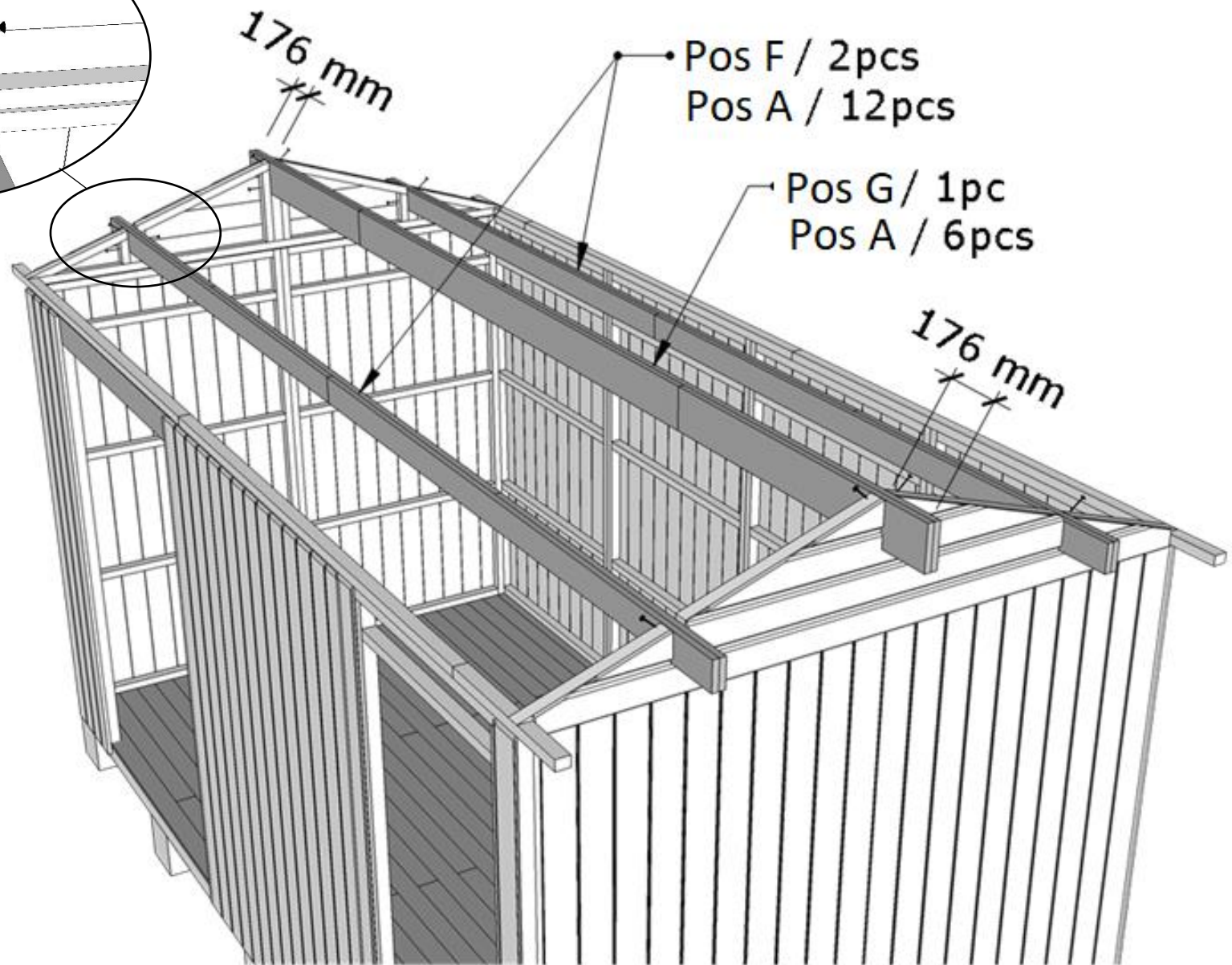
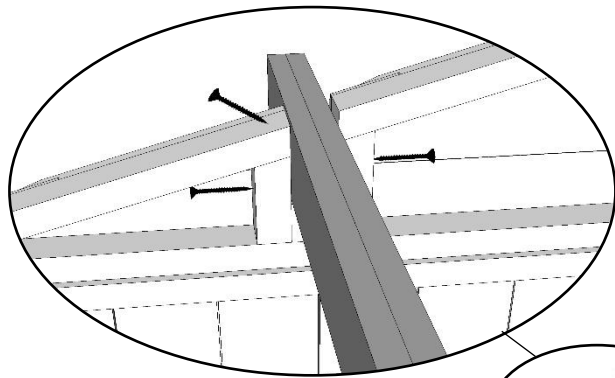


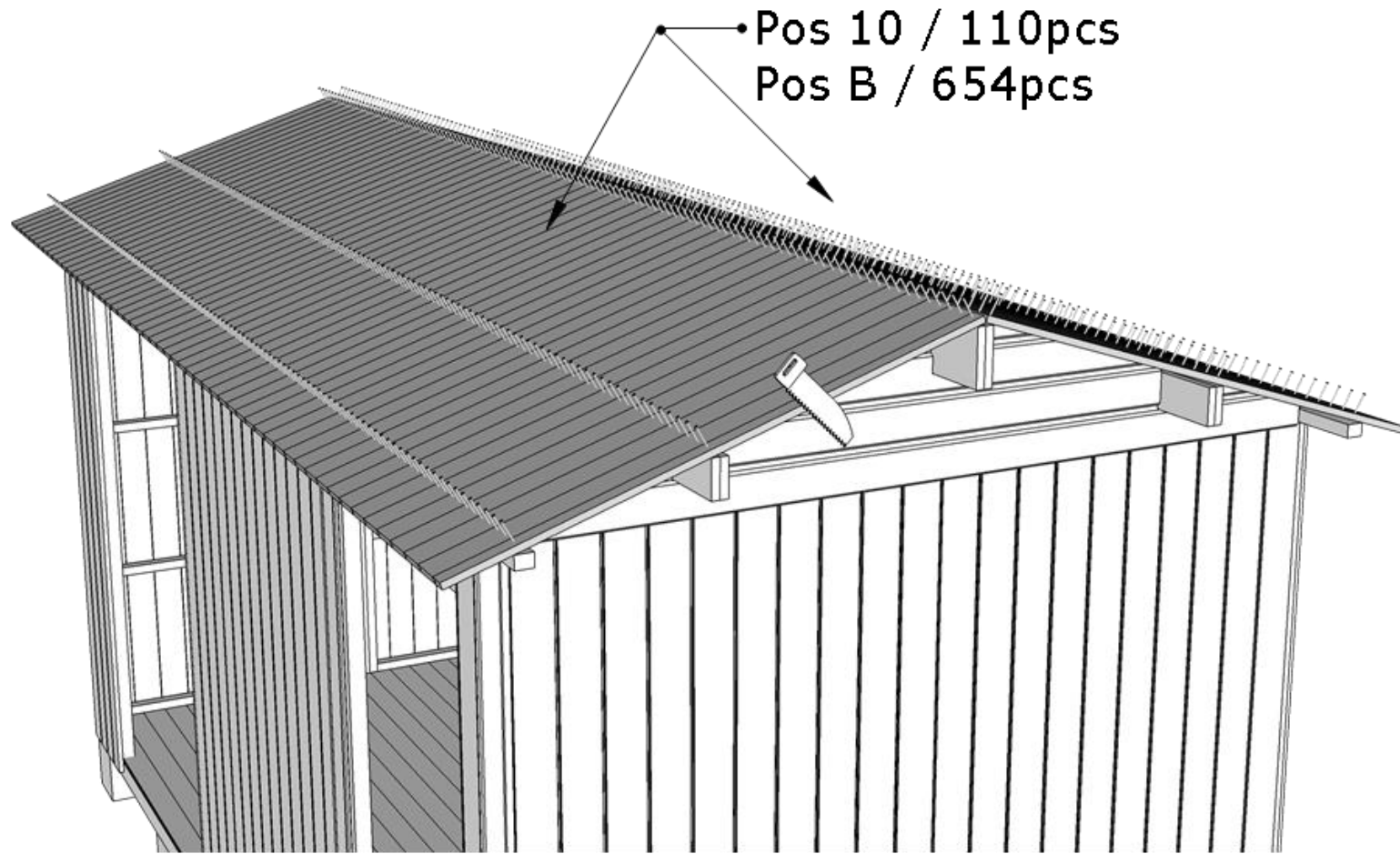


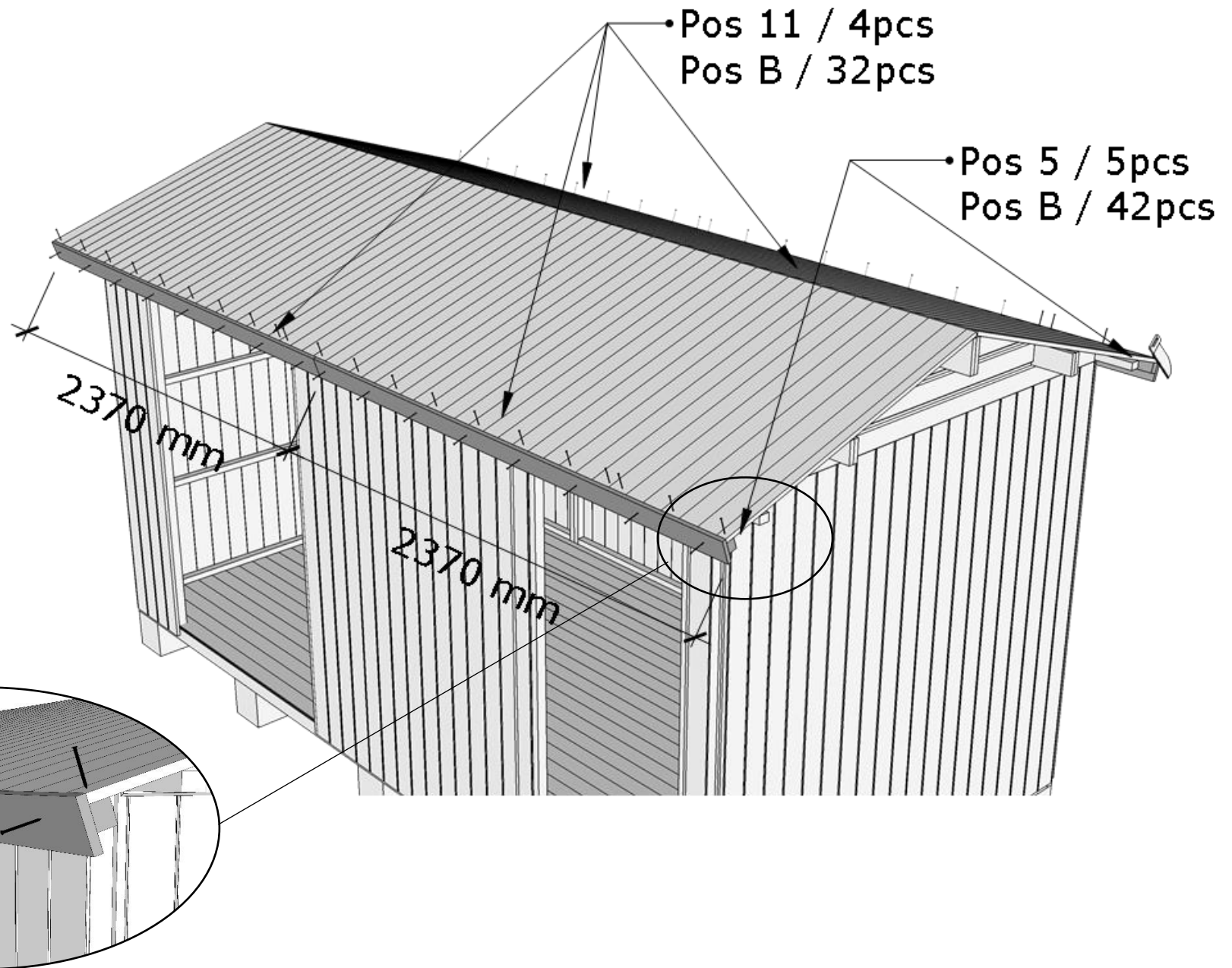
2x = Pos F

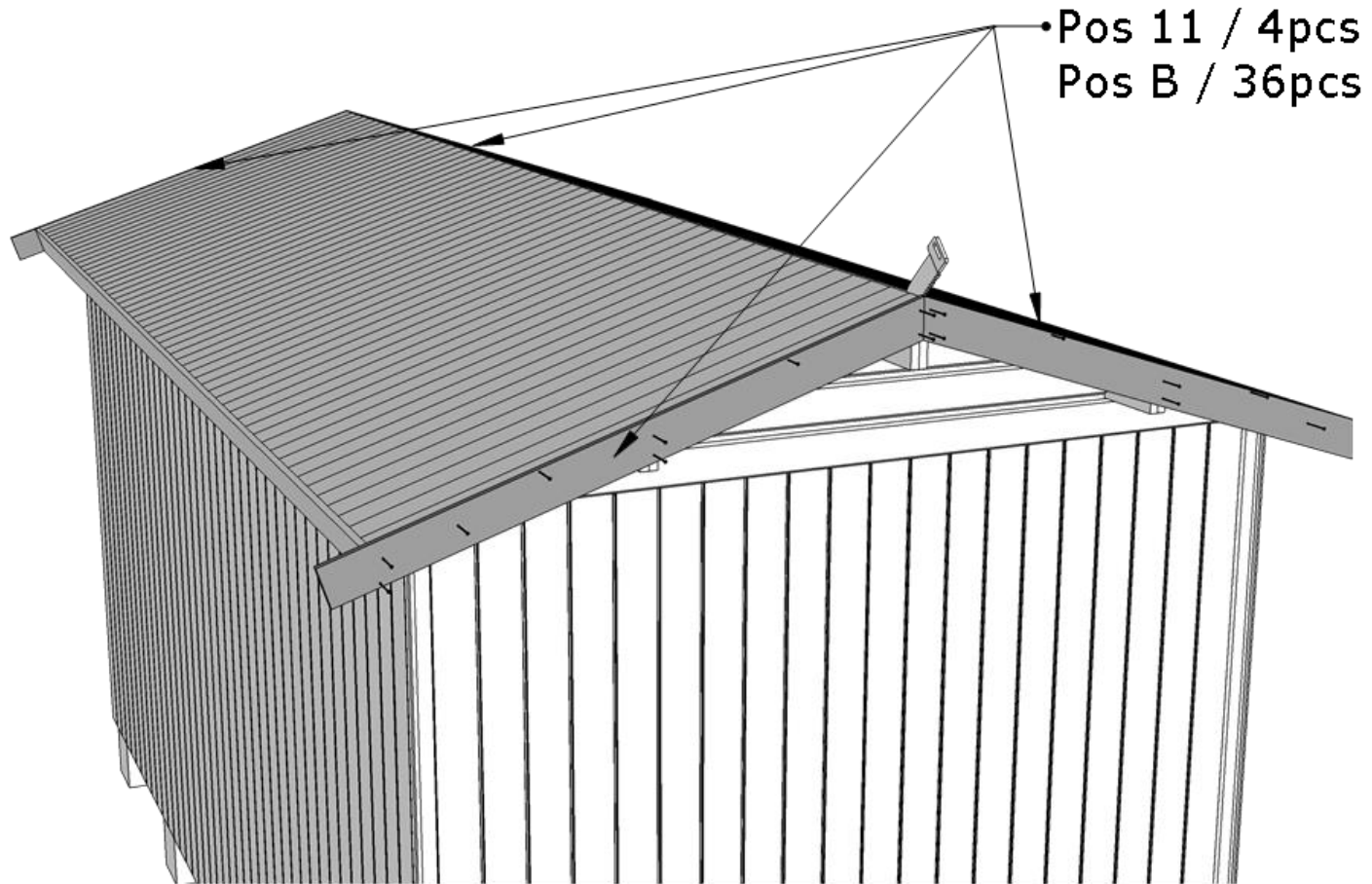


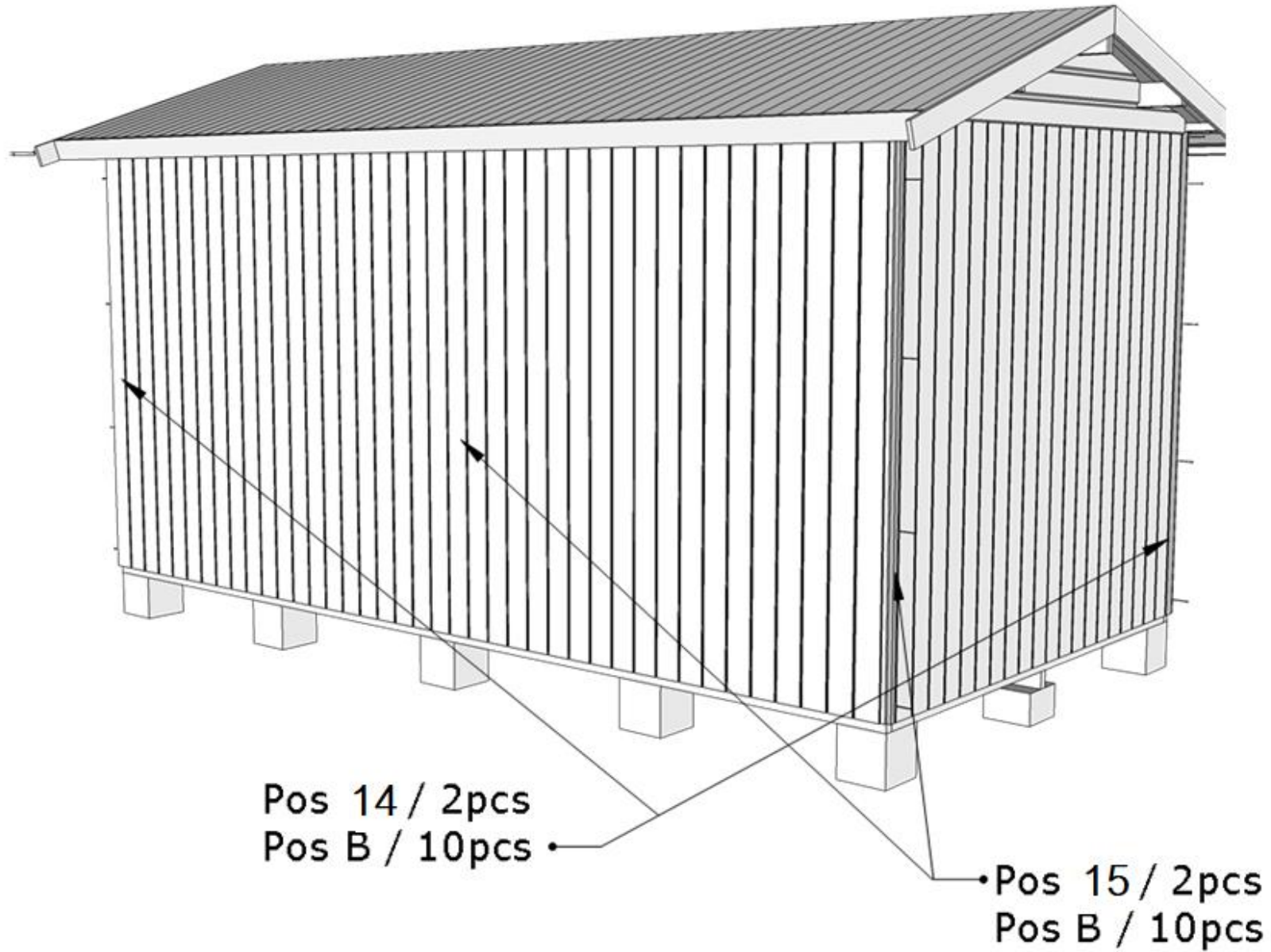
1x = Pos G



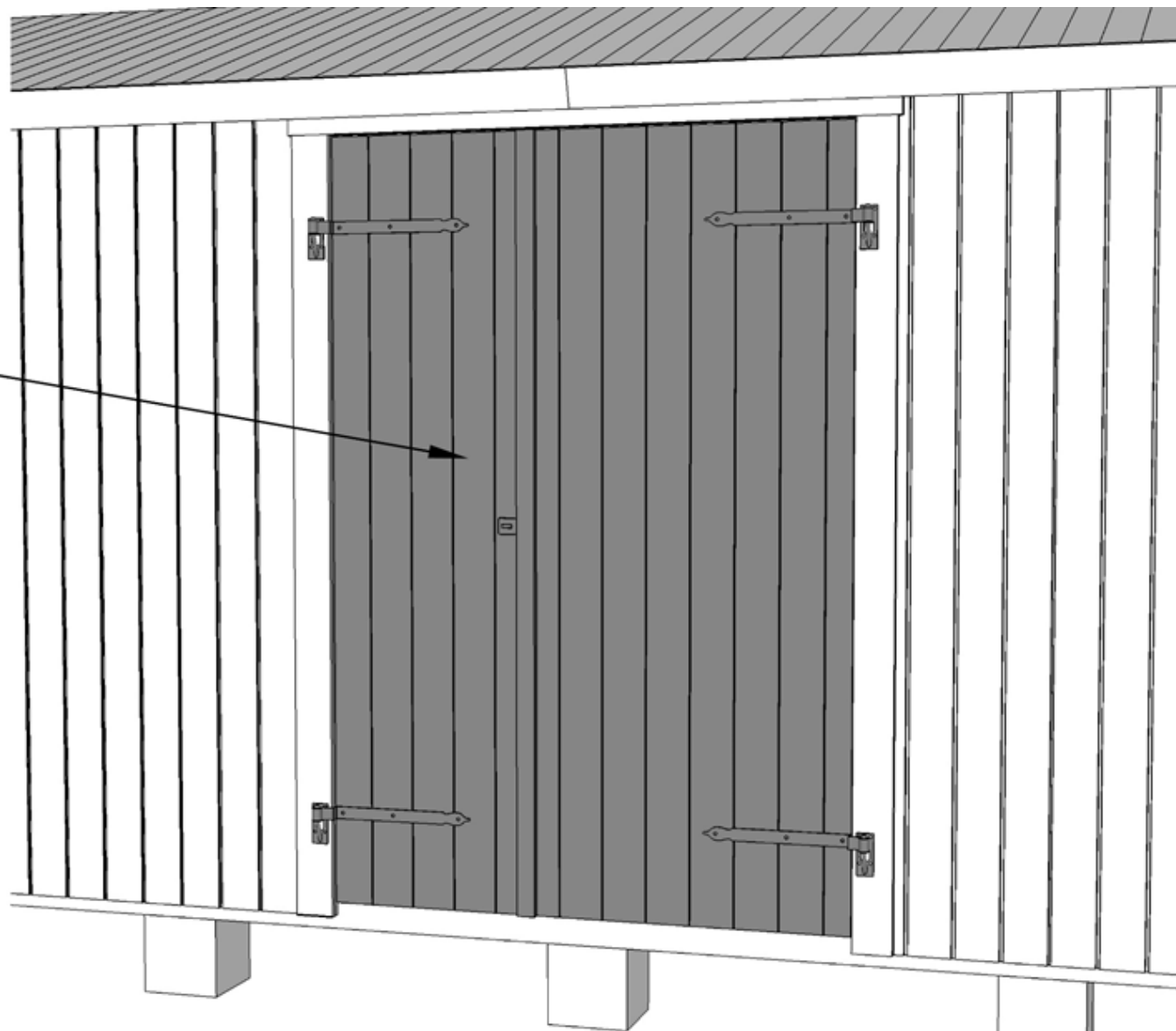




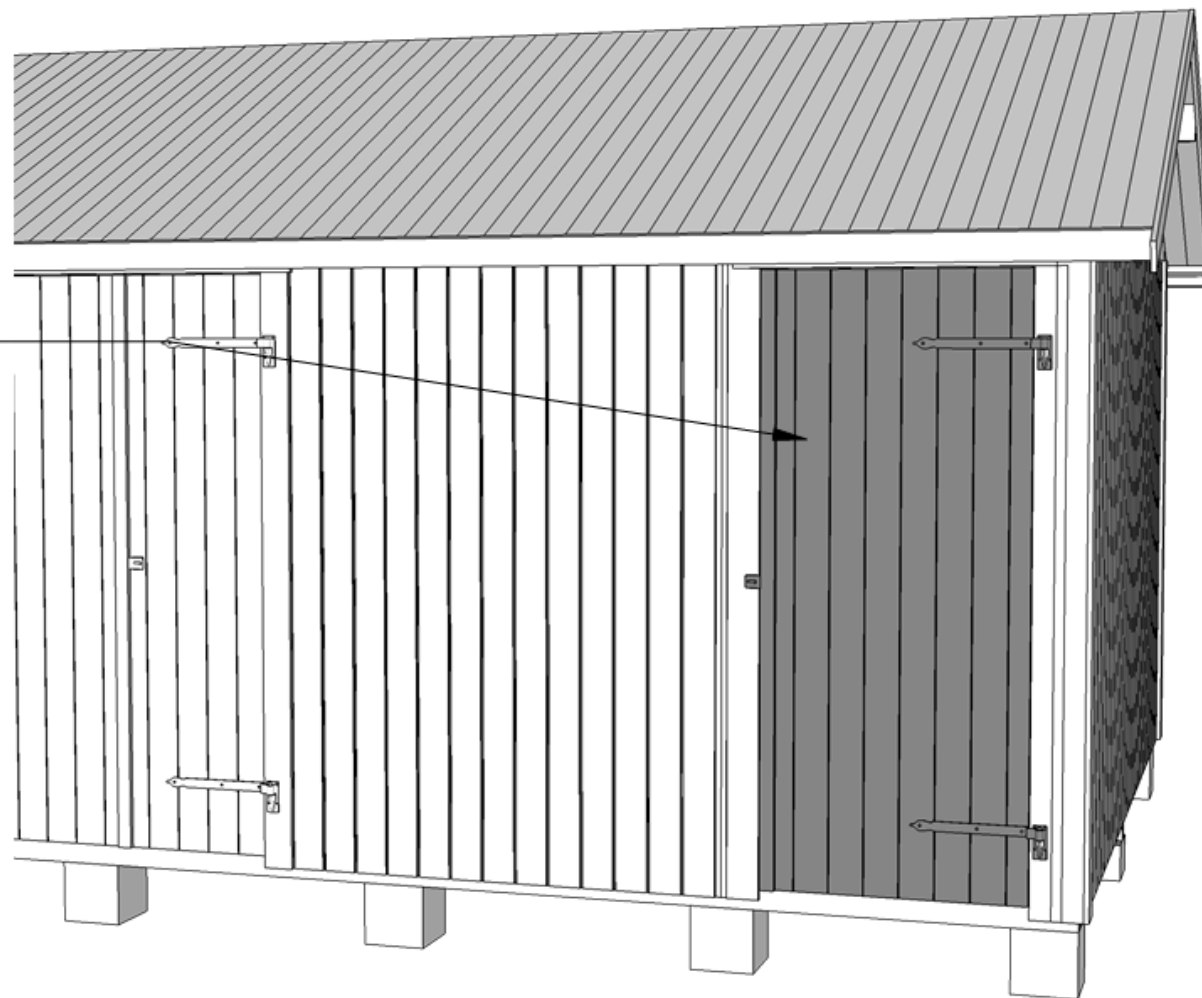


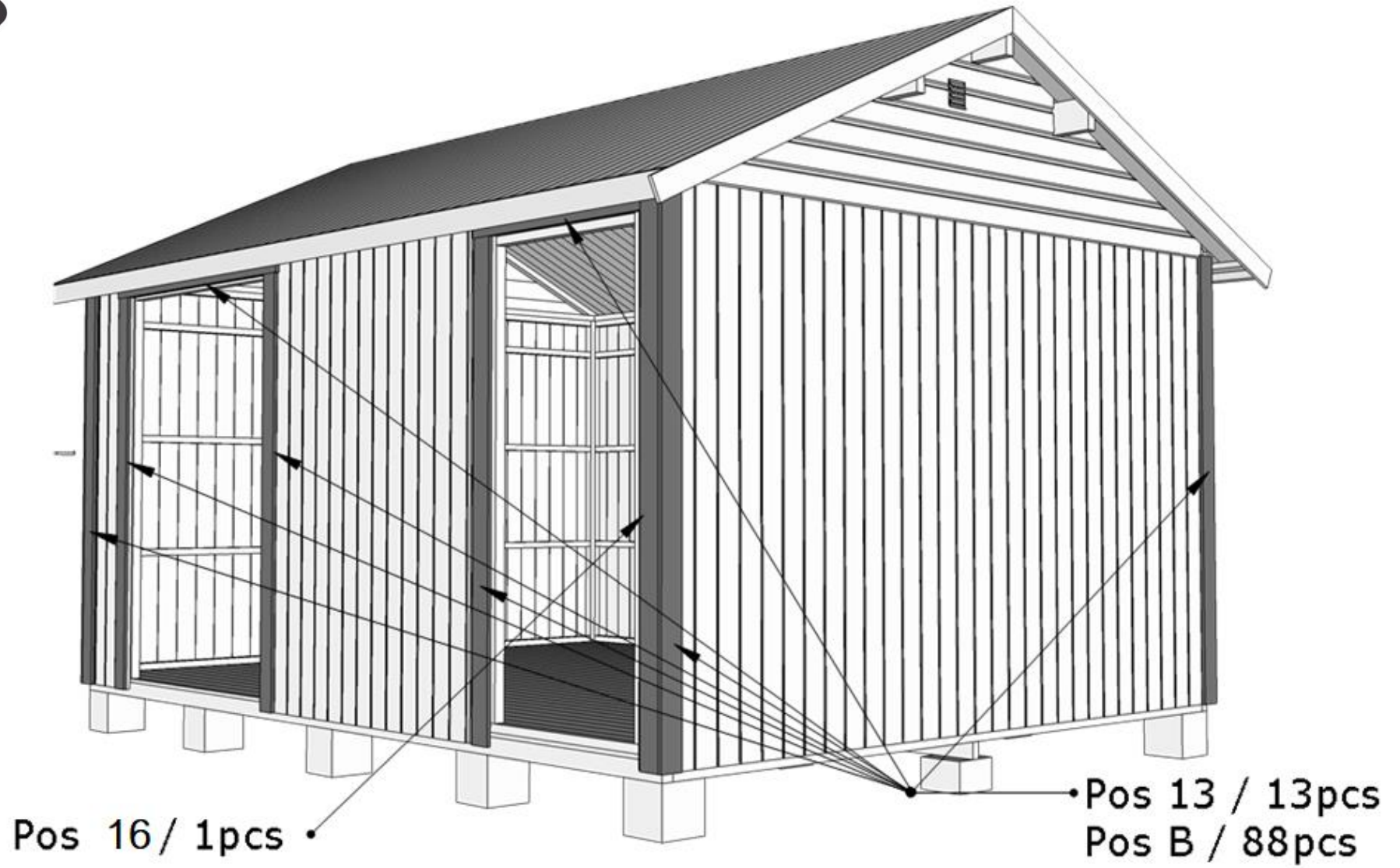


DD / 1 pc
Pos C / 1 pc



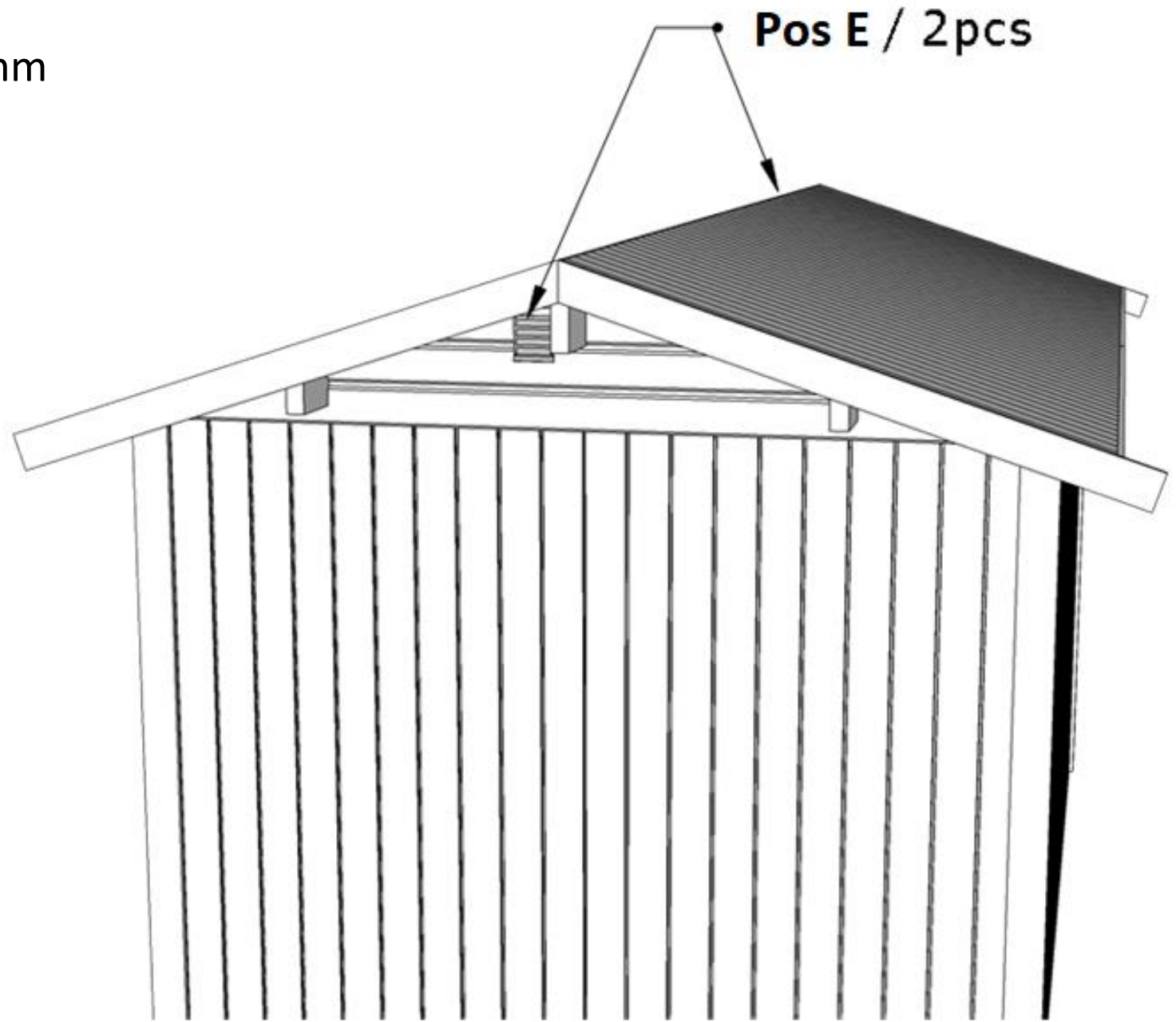
ED / 1pc
Pos C / 1pcs







Ø75mm



Pos E / 2 pcs